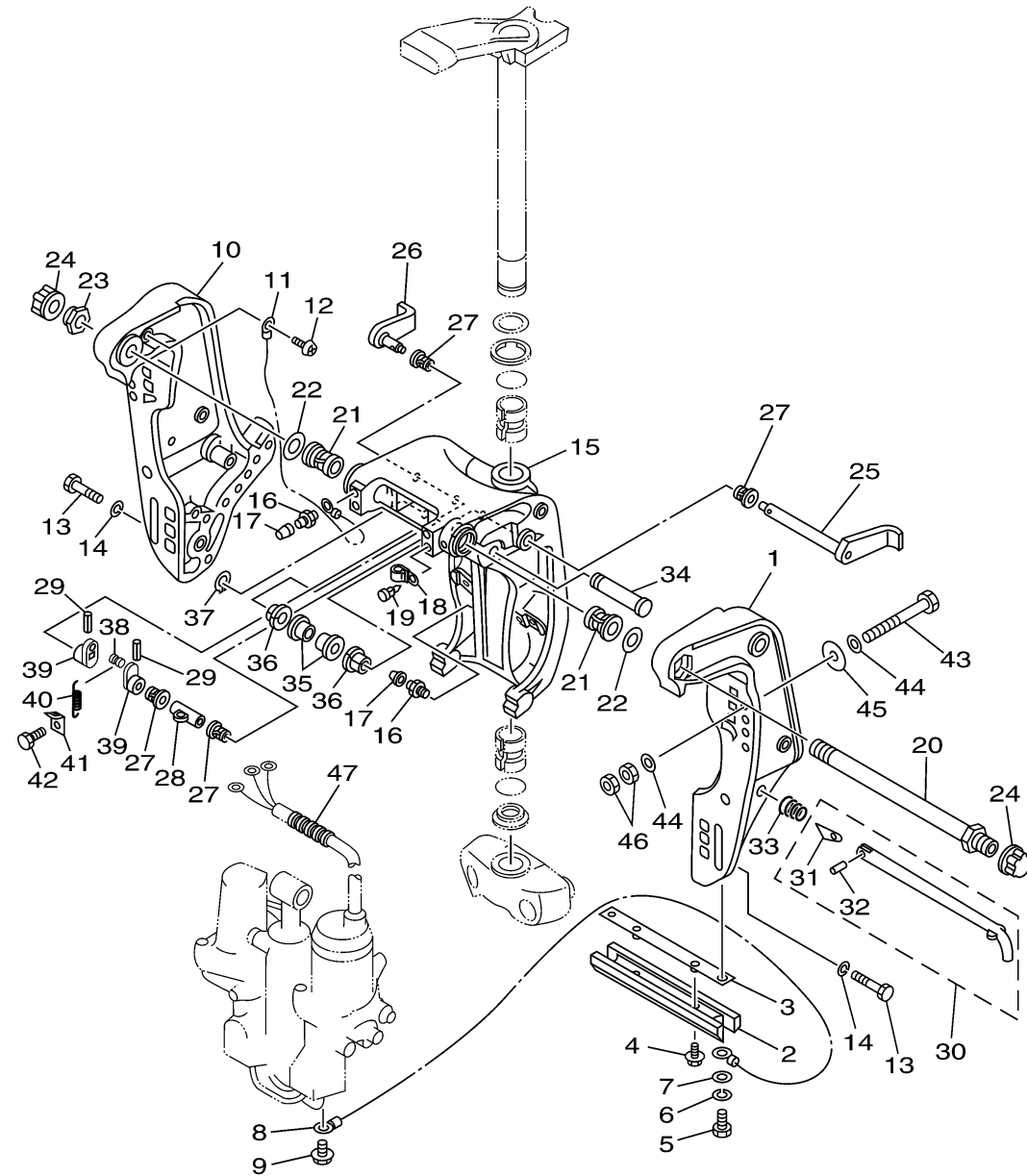


# BRACKET 1

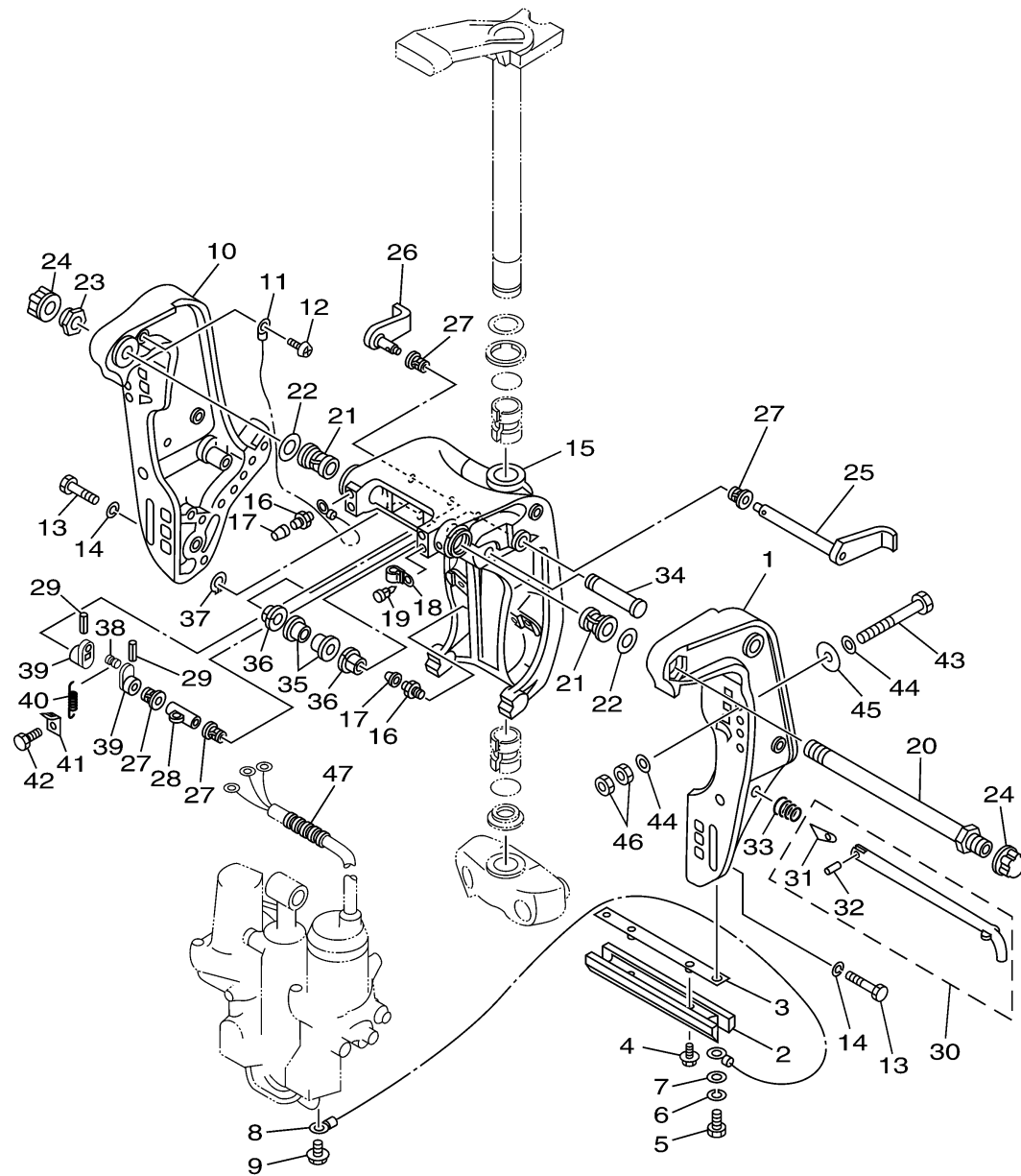


| Ref No. | Part Number     | Description         | Qty | Remarks |
|---------|-----------------|---------------------|-----|---------|
| 1       | 6H1-43111-01-4D | BRACKET, CLAMP 1    | 1   |         |
| 2       | 6H1-45251-03-00 | ANODE               | 1   |         |
| 3       | 6H1-44526-00-00 | PLATE               | 1   |         |
| 4       | 90119-06M29-00  | BOLT, WITH WASHER   | 2   |         |
| 5       | 97095-06016-00  | BOLT                | 2   |         |
| 6       | 92995-06100-00  | WASHER, SPRING      | 2   |         |
| 7       | 92995-06600-00  | WASHER              | 2   |         |
| 8       | 6H1-82148-00-00 | WIRE, LEAD 4        | 1   |         |
| 9       | 97595-06510-00  | BOLT, WITH WASHER   | 1   |         |
| 10      | 6H1-43112-00-4D | BRACKET, CLAMP 2    | 1   |         |
| 11      | 6E5-82148-00-00 | WIRE, LEAD 4        | 1   |         |
| 12      | 97880-06012-00  | SCREW, PAN HEAD     | 1   |         |
| 13      | 97095-10045-00  | BOLT                | 6   |         |
| 14      | 92995-10100-00  | WASHER              | 6   |         |
| 15      | 6H1-43311-02-4D | BRACKET, SWIVEL 1   | 1   |         |
| 16      | 93700-06M03-00  | NIPPLE, GREASE      | 3   |         |
| 17      | 663-45119-00-00 | CAP, GREASE NIPPLE  | 3   | AP      |
| 18      | 90464-11M18-00  | CLAMP               | 1   |         |
| 19      | 90338-05M03-00  | PLUG                | 1   |         |
| 20      | 688-43131-03-00 | BOLT, CLAMP BRACKET | 1   |         |

CONTINUED ON NEXT FRAME >



6H36100-F160



6H36100-F160

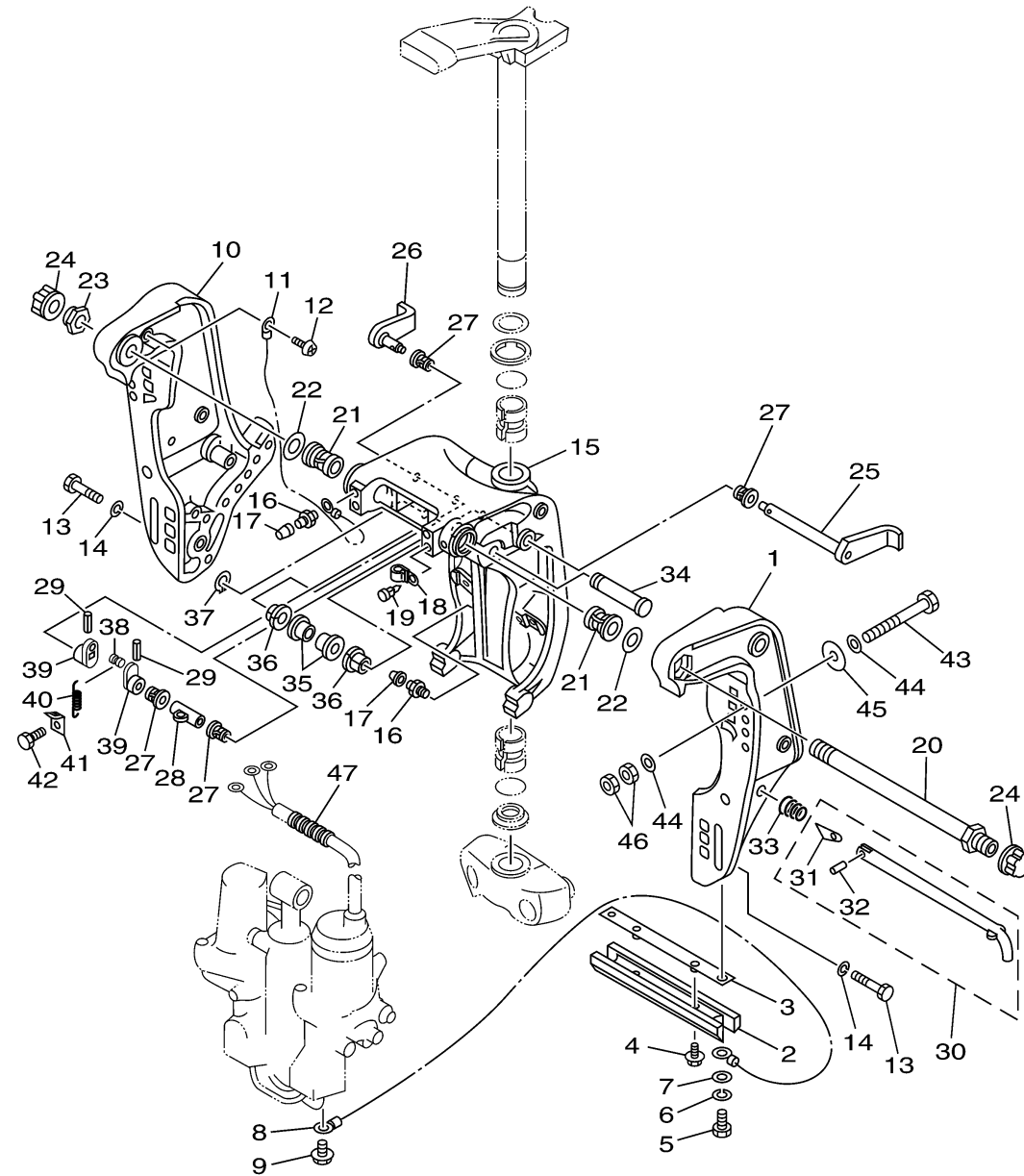
# BRACKET 1

| Ref No. | Part Number     | Description            | Qty | Remarks |
|---------|-----------------|------------------------|-----|---------|
| 21      | 90386-22M15-00  | BUSH                   | 2   |         |
| 22      | 90201-22M67-00  | WASHER, PLATE          | 2   |         |
| 23      | 90185-22043-00  | NUT, SELF-LOCKING      | 1   |         |
| 24      | 6G5-43145-01-00 | CAP, CLAMP BRACKET     | 2   |         |
| 25      | 6H1-43181-01-00 | LEVER, TILT STOP       | 1   |         |
| 26      | 6H1-43185-01-00 | LEVER, TILT STOP       | 1   |         |
| 27      | 90386-10M16-00  | BUSH                   | 4   |         |
| 28      | 90387-10M02-00  | COLLAR                 | 1   |         |
| 29      | 91690-30020-00  | PIN, SPRING            | 2   |         |
| 30      | 688-43160-01-00 | TILT ROD ASSY          | 1   |         |
| 31      | 688-43165-00-00 | ..PLATE, TILT LOCK     | 1   |         |
| 32      | 91690-30012-00  | ..PIN, SPRING          | 1   |         |
| 33      | 90502-16M02-00  | SPRING, CONICAL        | 1   |         |
| 34      | 6E5-43126-02-00 | PIN, UPPER SHOCK MOUNT | 1   |         |
| 35      | 90386-18M63-00  | BUSH                   | 2   |         |
| 36      | 90386-18M35-00  | BUSH                   | 2   |         |
| 37      | 93410-18M02-00  | CIRCLIP                | 1   |         |
| 38      | 90249-06M19-00  | PIN                    | 1   |         |
| 39      | 6G5-43148-00-00 | COLLAR, DISTANCE       | 2   |         |
| 40      | 90506-14M24-00  | SPRING, TENSION        | 1   |         |

CONTINUED ON NEXT FRAME >

# BRACKET 1

| Ref No. | Part Number     | Description   | Qty | Remarks |
|---------|-----------------|---------------|-----|---------|
| 41      | 6G5-43144-00-00 | HOOK, SPRING  | 1   |         |
| 42      | 97095-06010-00  | BOLT          | 1   |         |
| 43      | 90101-12M65-00  | BOLT          | 4   |         |
| 44      | 92995-12200-00  | WASHER        | 8   |         |
| 45      | 90201-12426-00  | WASHER, PLATE | 4   |         |
| 46      | 95380-12600-00  | NUT           | 8   |         |
| 47      | 90440-14M00-00  | PIPE          | 1   |         |



6H36100-F160