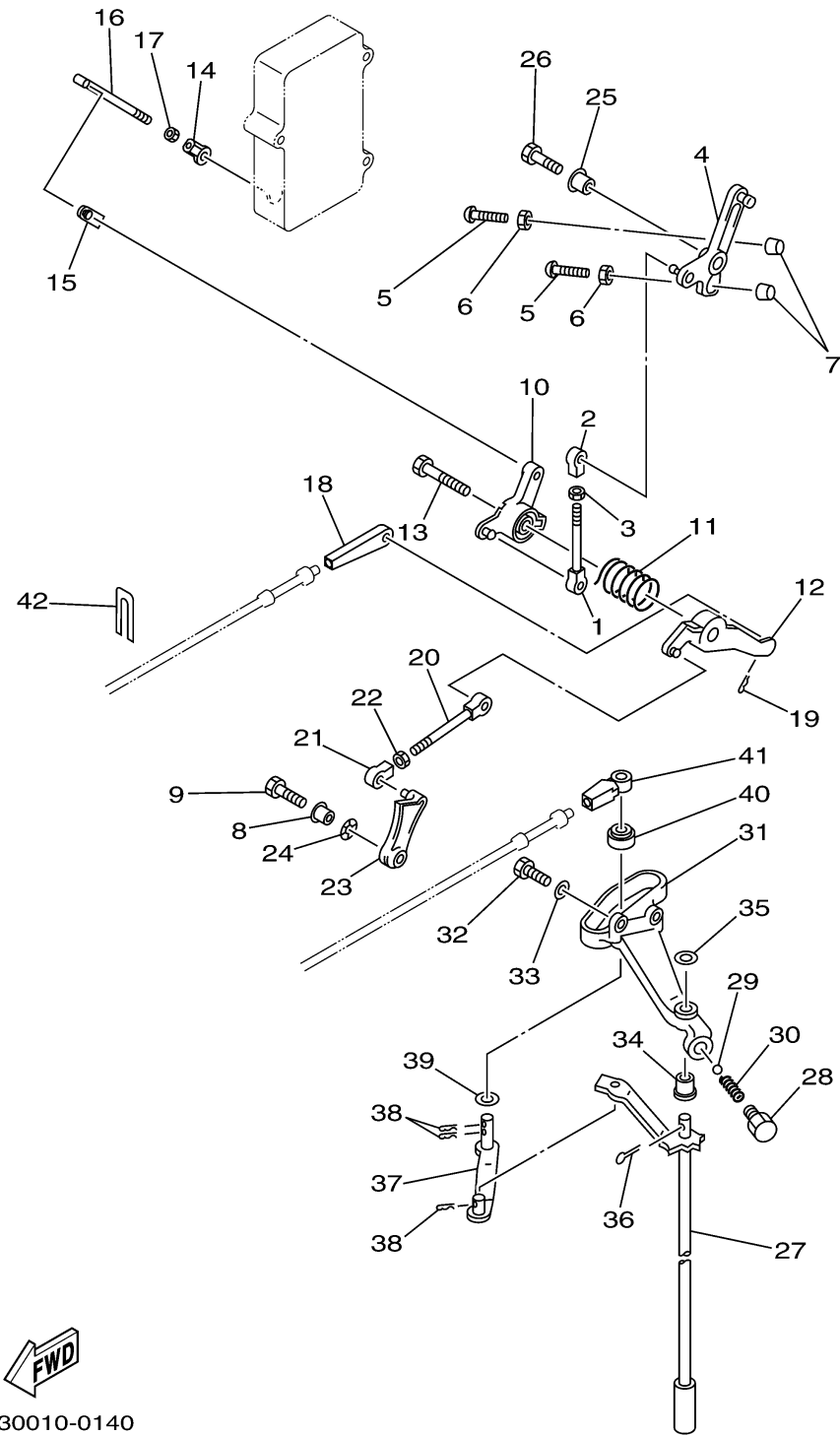


6H30010-0140

CONTROL

Ref No.	Part Number	Description	Qty	Remarks
1	689-42169-01-00	JOINT	1	
2	682-41237-00-00	JOINT, LINK 2	1	
3	95380-05600-00	.NUT	1	
4	6H3-41631-00-00	LEVER, MAGNETO CONTROL	1	
5	90157-06M13-00	SCREW, PAN HEAD	2	
6	95380-06600-00	NUT, HEXAGON	2	
7	688-44194-00-00	CAP	2	
8	90387-06M60-00	COLLAR	1	
9	97095-06025-00	.BOLT	1	
10	6H3-41632-20-00	LEVER, MAGNETO CONTROL	1	
11	90508-26M35-00	SPRING, TORSION	1	
12	6H3-41633-10-00	LEVER, MAGNETO CONTROL	1	
13	90109-06M43-00	BOLT	1	
14	6H1-41237-00-00	JOINT, LINK	1	
15	6F5-41237-00-00	JOINT, LINK	1	
16	6H3-41636-10-94	ROD, MAGNETO CONTROL	1	
17	95380-05600-00	.NUT	1	
18	6H3-48344-00-00	CABLE END, REMOTE CONTROL	1	
19	90468-18008-00	.CLIP	1	
20	689-42169-01-00	JOINT	1	

CONTINUED ON NEXT FRAME >



6H30010-0140

CONTROL

Ref No.	Part Number	Description	Qty	Remarks
21	6H4-41237-00-00	JOINT, LINK	1	
22	95380-05600-00	.NUT	1	
23	6H3-41213-10-00	CAM, ACCEL.	1	
24	90206-10M04-00	.WASHER, WAVE	1	
25	90387-06M60-00	COLLAR	1	
26	97095-06025-00	.BOLT	1	
27	6H3-44120-12-00	HANDLE GEAR SHIFT ASSY	1	L(20.5")
28	648-42715-00-00	BUSHING	1	
29	93501-04M02-00	BALL	1	
30	90501-12082-00	SPRING, COMPRESSION	1	
31	6H3-44117-00-94	BRACKET	1	
32	97013-06020-00	BOLT	2	
33	92903-06600-00	WASHER, PLATE	2	
34	90386-07M58-00	BUSH	1	
35	92990-08200-00	.WASHER, PLAIN	1	
36	91490-20012-00	PIN. COTTER	1	
37	6H3-44121-01-00	LEVER, SHIFT ROD	1	
38	90468-18008-00	.CLIP	3	
39	90202-07M07-00	WASHER, PLATE	1	
40	688-44122-00-00	BUSHING, SHIFT ROD LEVER	1	

CONTINUED ON NEXT FRAME >

CONTROL

Ref No.	Part Number	Description	Qty	Remarks
41	663-48344-00-00	.CABLE END, REMOTE CONTROL	1	
42	6H3-48538-00-00	.CLAMP, CABLE 1	1	

