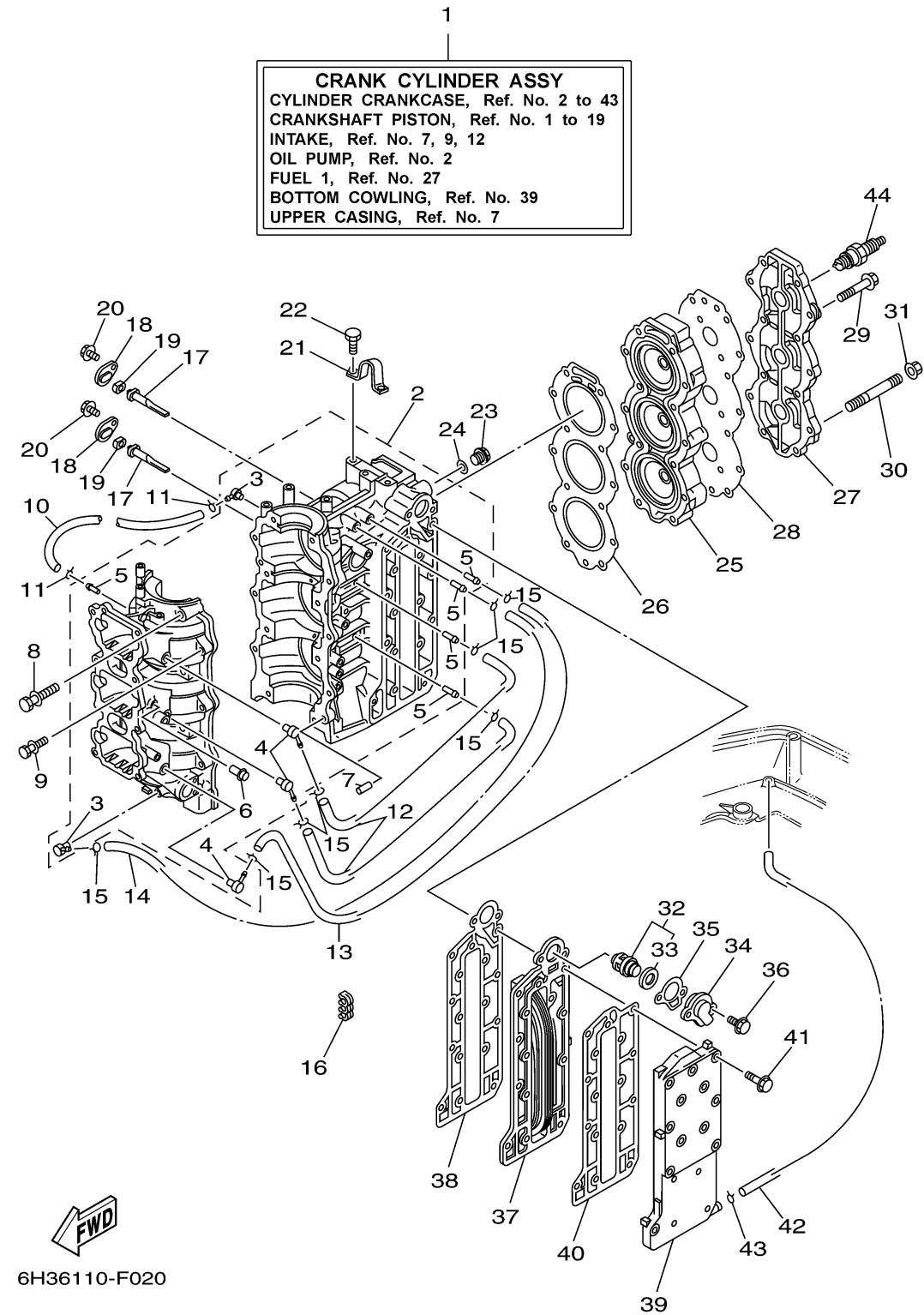


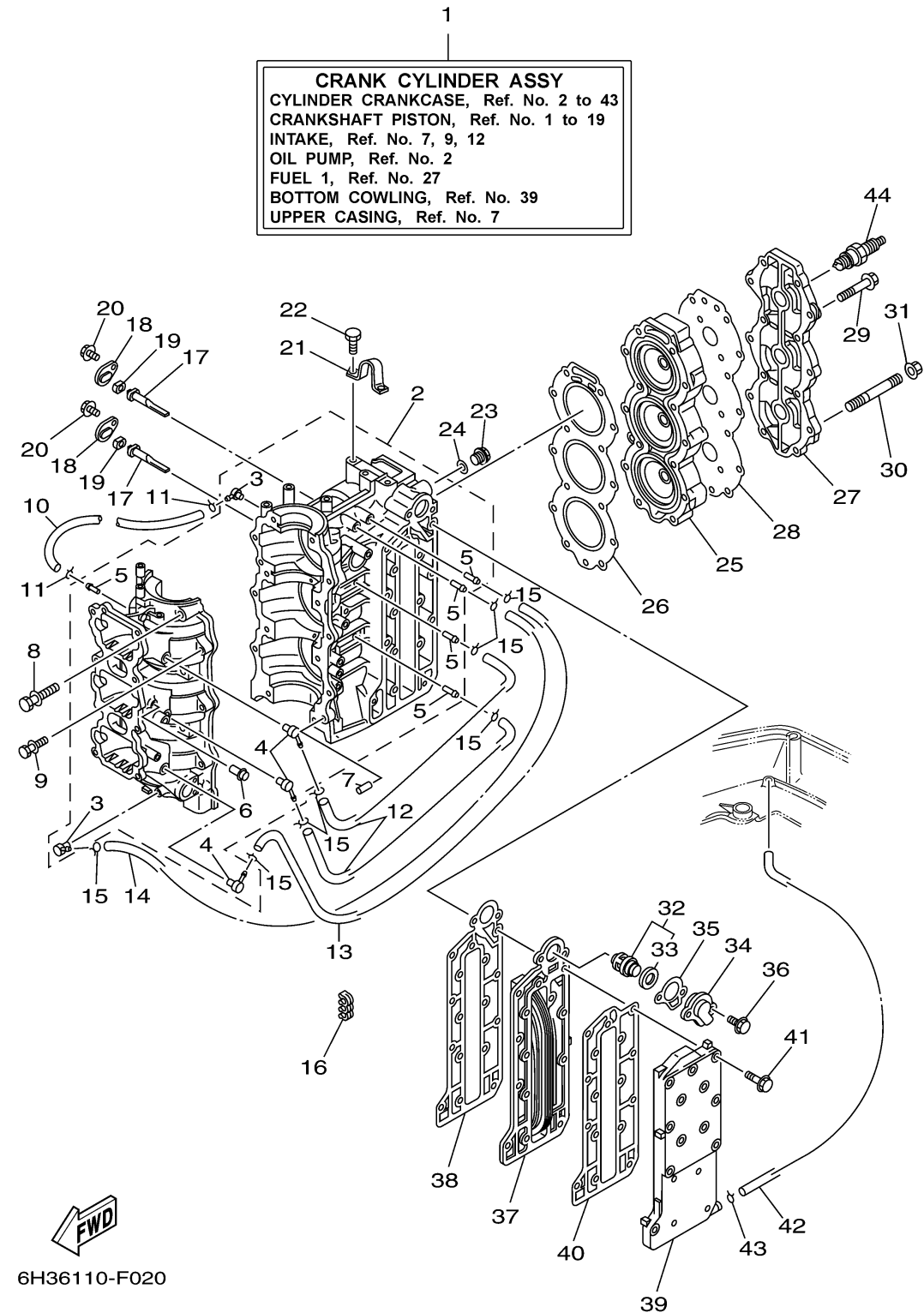
# CYLINDER CRANKCASE



Ref No.	Part Number	Description	Qty	Remarks
1	6H3-W0090-44-1S	CRANK CYLINDER ASSY	1	O/I-A/CHOKE
2	6H3-15100-14-1S	CRANKCASE ASSY	1	O/I-A/CHOKE
3	688-11370-01-00	. CHECK VALVE ASSY	2	
4	650-11370-01-00	. .CHECK VALVE ASSY	3	
5	624-14485-00-00	. .PIPE, JOINT	5	
6	650-24378-00-00	. .PIPE, JOINT 4	1	
7	93608-12063-00	PIN, DOWEL	2	
8	90119-10005-00	BOLT, WITH WASHER	8	
9	90119-08M64-00	BOLT, WITH WASHER	6	
10	90445-07M44-00	HOSE (L250)	1	
11	90467-06016-00	CLIP	2	
12	90445-07M02-00	HOSE (L167)	2	
13	90445-07M45-00	HOSE (L340)	1	
14	90445-07M82-00	HOSE (L440)	1	
15	90467-06016-00	CLIP	8	
16	90464-07M05-00	CLAMP	1	
17	6H3-11325-01-00	ANODE	2	
18	6H3-11327-00-1S	COVER, ANODE	2	
19	6H3-11328-00-00	GROMMET, ANODE	2	
20	90119-06023-00	BOLT, WITH WASHER	2	

CONTINUED ON NEXT FRAME >

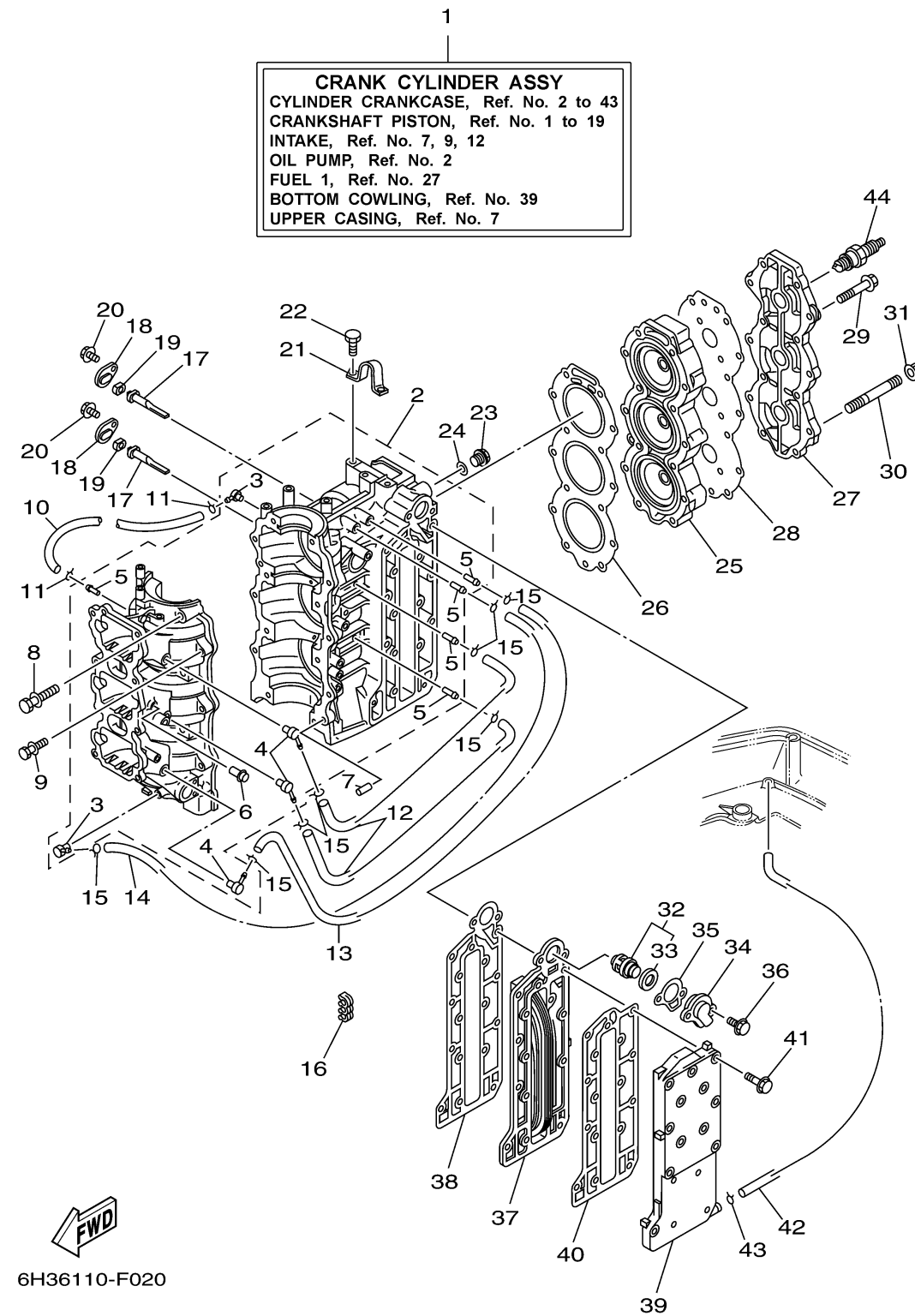
# CYLINDER CRANKCASE



Ref No.	Part Number	Description	Qty	Remarks
21	688-11119-01-00	HANGER, ENGINE	1	
22	90101-08002-00	BOLT	2	
23	90340-14M00-00	.PLUG, STRAIGHT SCREW	1	
24	90430-14115-00	.GASKET	1	
25	6H3-11111-01-1S	HEAD, CYLINDER 1	1	
26	6H3-11181-A2-00	.GASKET, CYLINDER HEAD 1	1	
27	6H3-11191-00-1S	COVER, CYLINDER HEAD 1	1	
28	6H3-11193-A1-00	GASKET, HEAD COVER 1	1	
29	90119-08MA5-00	BOLT, WITH WASHER	13	
30	90116-08M69-00	BOLT, STUD	1	
31	90179-08M34-00	NUT	1	
32	6H3-12411-11-00	THERMOSTAT	1	
33	688-12412-00-00	.SEAL, THERMOSTAT	1	
34	6H3-12413-00-1S	COVER, THERMOSTAT	1	
35	6H3-12414-A1-00	GASKET, COVER	1	
36	90119-06MA3-00	BOLT, WITH WASHER	2	
37	6H3-41111-01-1S	INNER COVER, EXHAUST	1	
38	6H3-41112-A0-00	.GASKET, EXHAUST INNER COVER	1	
39	6H3-41113-02-1S	OUTER COVER, EXHAUST	1	
40	6H3-41114-A0-00	GASKET, EXHAUST OUTER COVER	1	

CONTINUED ON NEXT FRAME >

# CYLINDER CRANKCASE



Ref No.	Part Number	Description	Qty	Remarks
41	90119-06MA5-00	BOLT, WITH WASHER	16	
42	663-24312-01-00	PIPE 2	1	
43	90467-08004-00	CLIP	1	
44	NGK-B8HS1-00-00	PLUG, SPARK (NGK B8HS-10)	3	