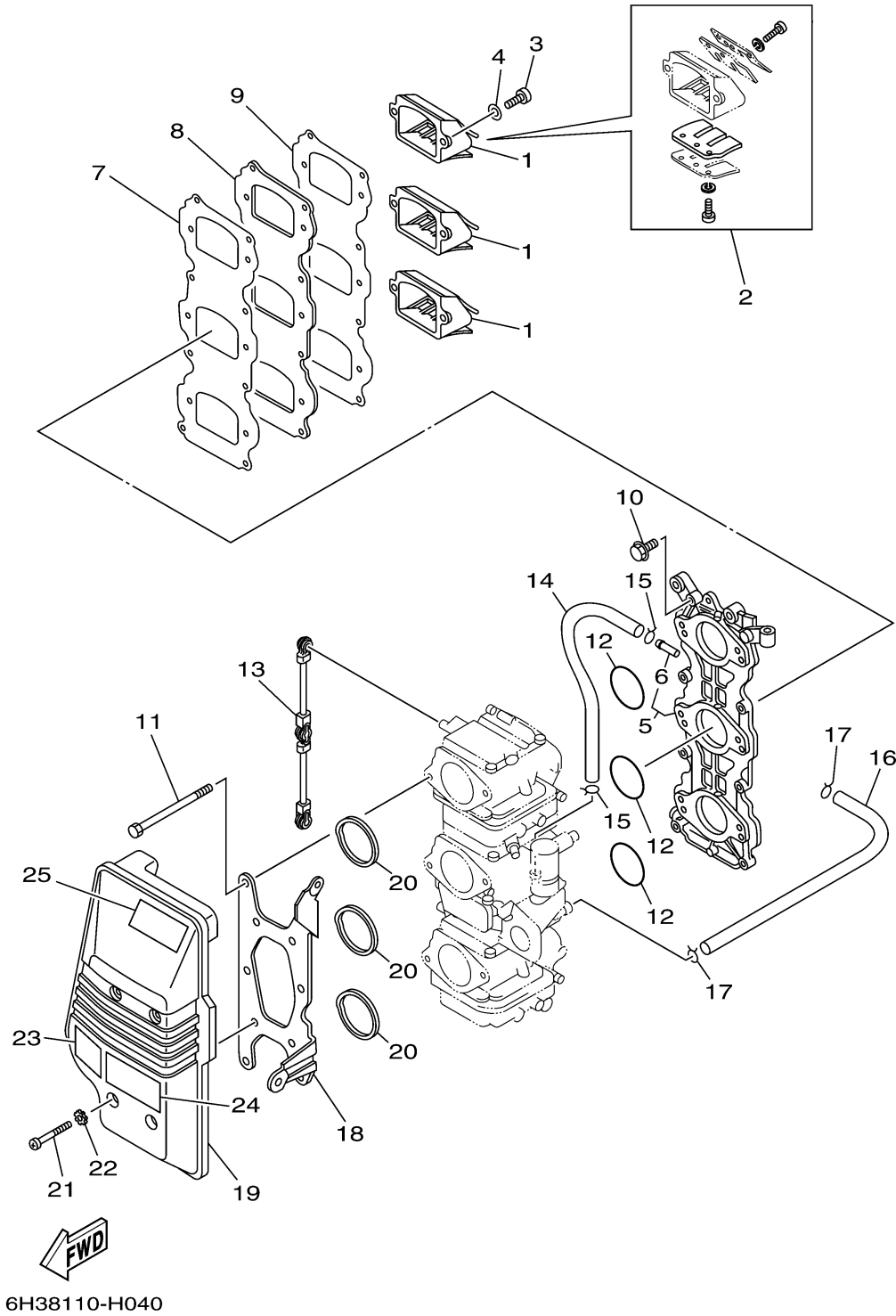


# INTAKE



Ref No.	Part Number	Description	Qty	Remarks
1	6H3-13610-00-00	REED VALVE ASSY	3	
2	688-W0004-00-00	. .REED SET	1	
3	97880-05016-00	SCREW, PAN HEAD	6	
4	92990-05600-00	WASHER, PLATE	6	
5	6H3-13641-13-94	MANIFOLD 1	1	
6	6H1-14485-00-00	. .PIPE, JOINT	4	
7	6H3-13621-A1-00	.GASKET, VALVE SEAT	1	
8	6H3-13624-00-94	PLATE, REED VALVE	1	
9	6H3-13622-A1-00	.GASKET, VALVE SEAT	1	
10	90119-06MA3-00	BOLT, WITH WASHER	8	
11	97095-06095-00	BOLT	6	
12	93210-39ME4-00	.O-RING	3	
13	6H3-41217-00-00	ROD, ACCEL. LEVER	1	
14	90445-07255-00	HOSE (L160)	1	
15	90467-06016-00	CLIP	2	
16	6H3-14349-00-00	.PIPE	1	
17	90467-08004-00	CLIP	2	
18	6H3-14413-11-00	STAY	1	
19	6H3-14440-02-00	SILENCER ASSY, INTAKE	1	
20	6H3-14457-01-00	SEAL	3	

CONTINUED ON NEXT FRAME >

# INTAKE

Ref No.	Part Number	Description	Qty	Remarks
21	97885-06045-00	SCREW, PAN HEAD	4	
22	90209-06M05-00	WASHER	4	
23	6H1-85711-60-00	MARK, CAUTION	1	
24	6K5-14488-00-00	LABEL, CAUTION	1	
25	6AH-81994-40-00	LABEL, SAFETY	1	

