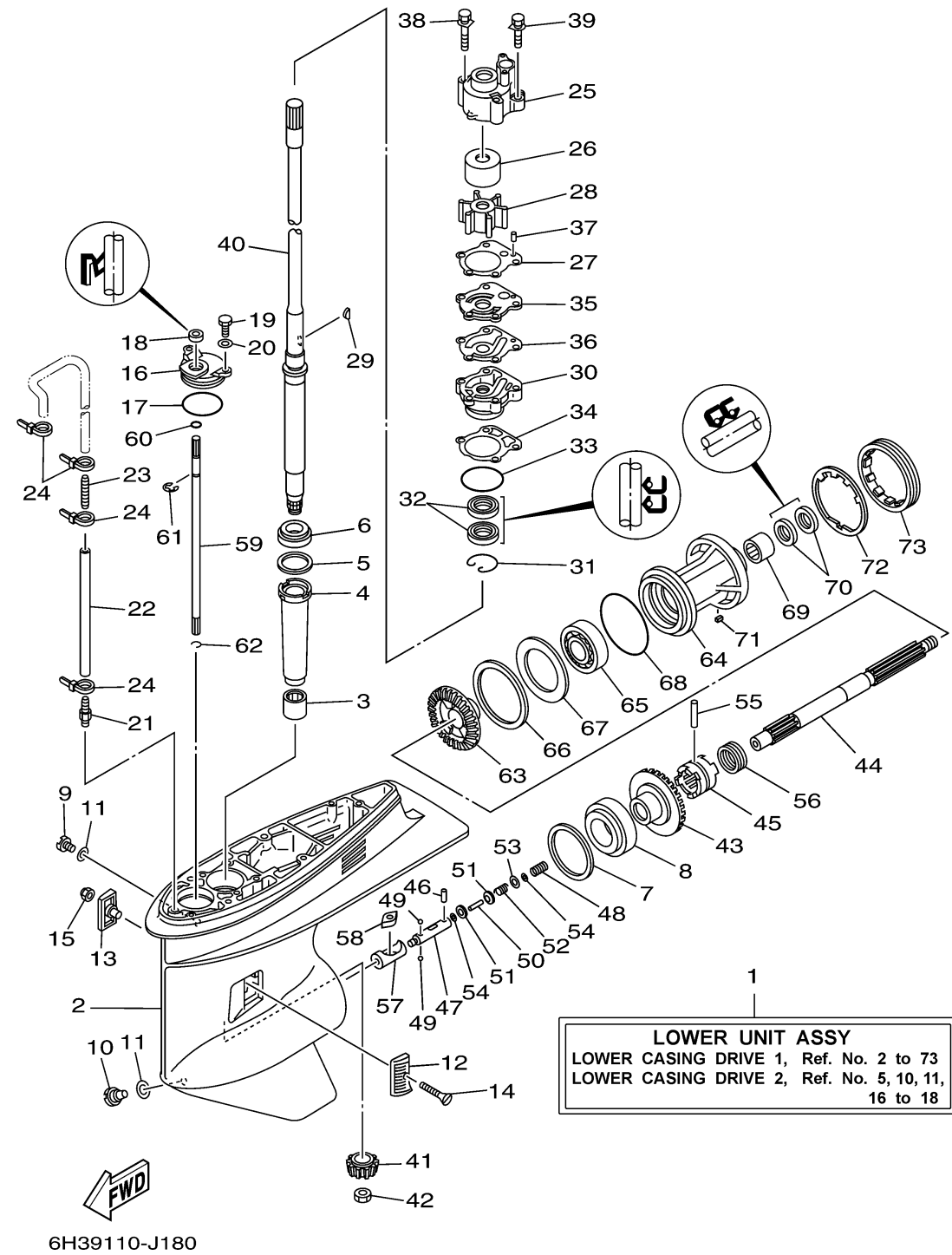


# LOWER CASING DRIVE 1



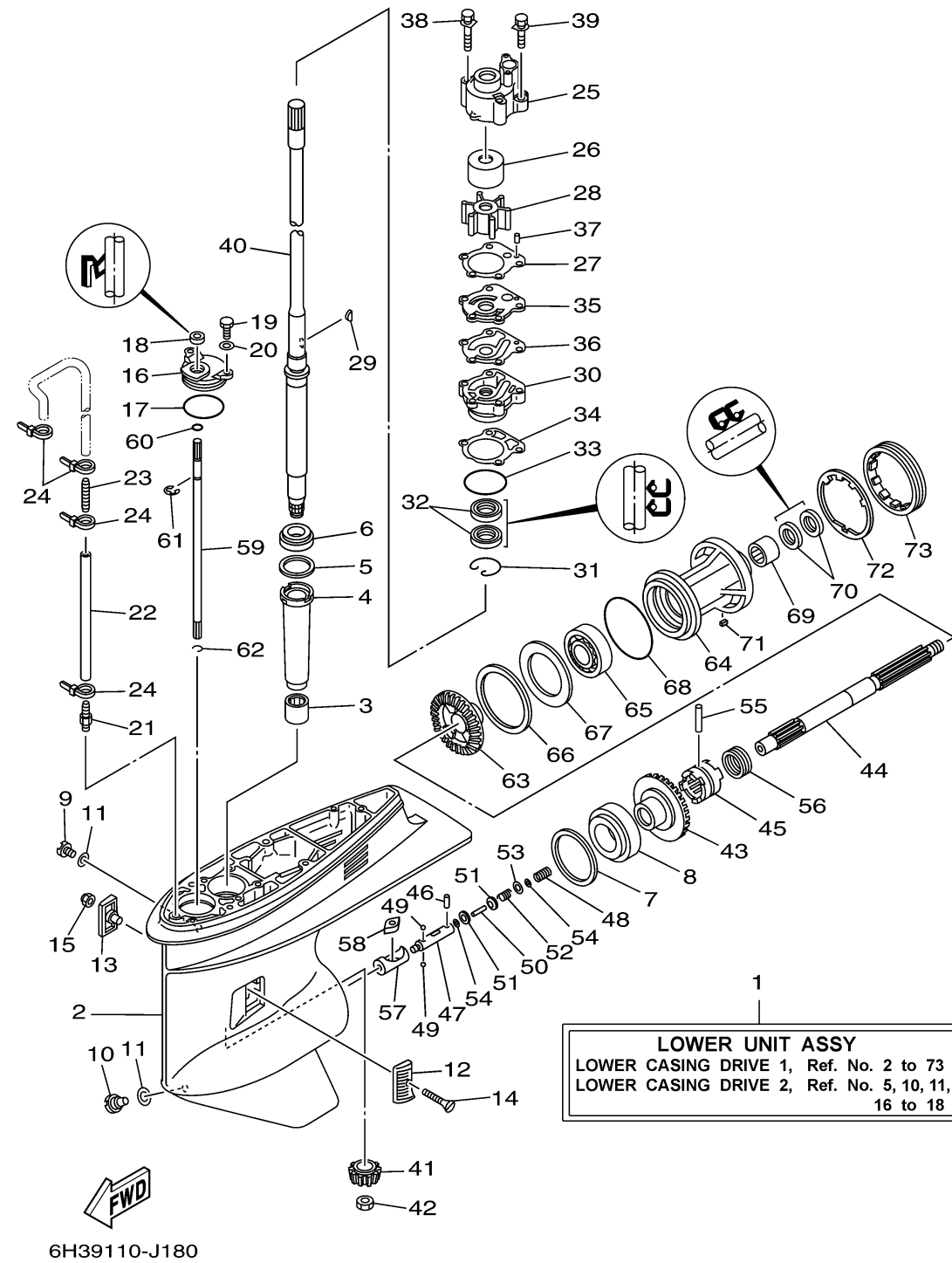
Ref No.	Part Number	Description	Qty	Remarks
1	6H3-45300-17-4D	LOWER UNIT ASSY	1	L(20.5")
2	6H1-45301-03-4D	CASING, LOWER	1	
3	93315-325V1-00	BEARING	1	
4	688-45536-01-00	SLEEVE, DRIVE SHAFT	1	
5	688-45587-01-00	SHIM (T:0.10MM)	1	UR
5	688-45587-10-00	SHIM (T:0.12MM)	1	UR
5	688-45587-20-00	SHIM (T:0.15MM)	1	UR
5	688-45587-30-00	SHIM (T:0.18MM)	1	UR
5	688-45587-40-00	SHIM (T:0.30MM)	1	UR
5	688-45587-50-00	SHIM (T:0.40MM)	1	UR
5	688-45587-60-00	SHIM (T:0.50MM)	1	UR
6	93332-000U3-00	BEARING	1	
7	688-45567-01-00	SHIM (T:0.10MM)	1	UR
7	688-45567-10-00	SHIM (T:0.12MM)	1	UR
7	688-45567-20-00	SHIM (T:0.15MM)	1	UR
7	688-45567-30-00	SHIM (T:0.18MM)	1	UR
7	688-45567-40-00	SHIM (T:0.30MM)	1	UR
7	688-45567-50-00	SHIM (T:0.40MM)	1	UR
7	688-45567-60-00	SHIM (T:0.50MM)	1	UR
8	93332-000W7-00	BEARING	1	

CONTINUED ON NEXT FRAME >

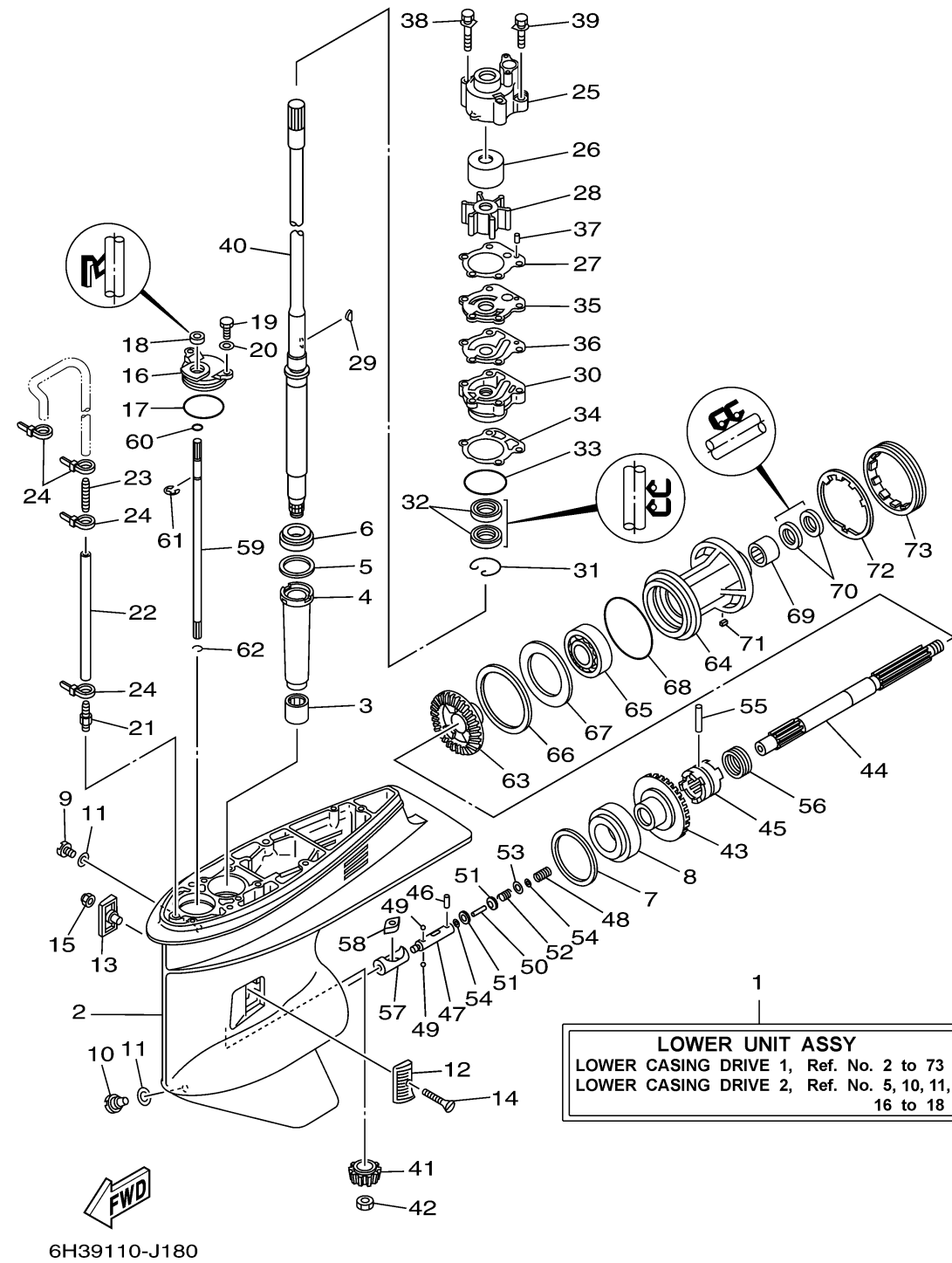
# LOWER CASING DRIVE 1

Ref No.	Part Number	Description	Qty	Remarks
9	90340-08002-00	PLUG, STRAIGHT SCREW	1	
10	688-45341-10-00	PLUG, DRAIN	1	
11	90430-08020-00	.GASKET	2	
12	6H1-45214-00-00	COVER, WATER INLET 1	1	
13	6H1-45215-00-00	COVER, WATER INLET 2	1	
14	90151-05M00-00	SCREW, COUNTERSUNK	1	
15	90185-05002-00	NUT, NYLON	1	
16	688-45321-00-00	PLATE	1	
17	93210-49046-00	.O-RING	1	
18	93106-09014-00	.OIL SEAL	1	
19	97095-06016-00	BOLT	2	
20	92995-06600-00	WASHER	2	
21	6E5-45378-00-00	NIPPLE, HOSE	1	
22	90445-07ME9-00	HOSE (L120)	1	L(20.5")
23	6E5-83558-10-00	END, NIPPLE	1	
24	90465-11M10-00	.CLAMP	4	
25	688-44311-01-00	HOUSING, WATER PUMP	1	L(20.5")
26	688-44322-00-00	INSERT, CARTRIDGE	1	L(20.5")
27	688-44315-A0-00	.GASKET, WATER PUMP	1	L(20.5")
28	688-44352-03-00	IMPELLER	1	L(20.5")

CONTINUED ON NEXT FRAME >



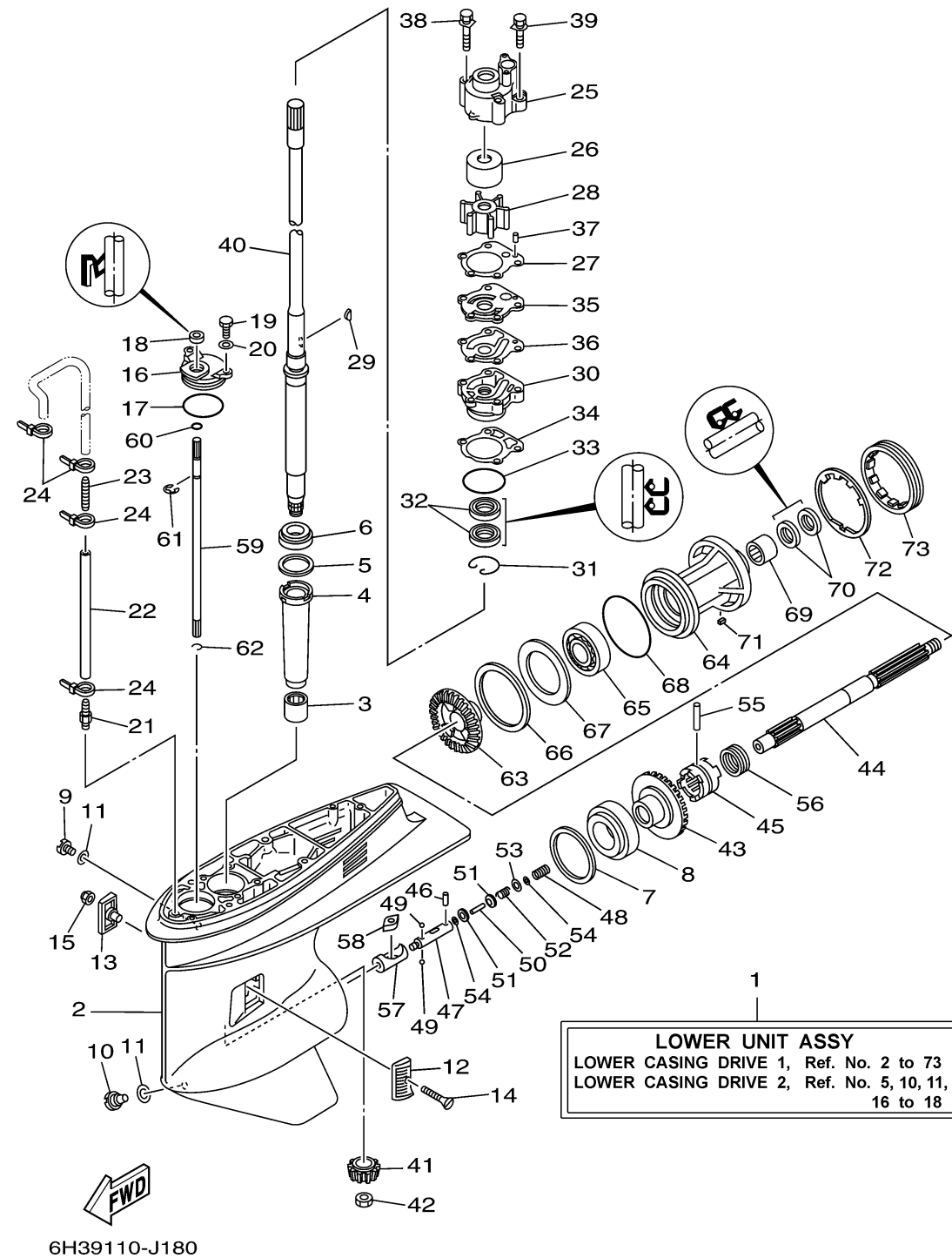
# LOWER CASING DRIVE 1



Ref No.	Part Number	Description	Qty	Remarks
29	90280-04M04-00	.KEY, WOODRUFF	1	L(20.5")
30	6D8-44341-01-94	HOUSING, WATER PUMP	1	L(20.5")
31	93450-44166-00	CIRCLIP	1	L(20.5")
32	93101-25M03-00	.OIL SEAL	2	L(20.5")
33	93210-46044-00	O-RING	1	
34	688-44316-A0-00	.GASKET, WATER PUMP	1	
35	688-44323-00-00	OUTER PLATE, CARTRIDGE	1	L(20.5")
36	688-44324-A0-00	.GASKET, CARTRIDGE	1	L(20.5")
37	93604-10M03-00	.PIN, DOWEL	2	
38	90119-08M16-00	.BOLT, WITH WASHER	2	L(20.5")
39	90119-08M13-00	.BOLT, WITH WASHER	2	L(20.5")
40	6H3-45501-11-00	DRIVE SHAFT COMP.	1	L(20.5")
41	6K5-45551-00-00	PINION (12T)	1	
42	90170-16M01-00	NUT	1	
43	6K5-45560-00-00	GEAR 1 (28T)	1	
44	6H1-45611-01-00	SHAFT, PROPELLER	1	
45	6H1-45631-01-00	CLUTCH, DOG	1	
46	93603-12M11-00	PIN, DOWEL	1	
47	6H1-45634-02-00	SLIDE, SHIFT	1	
48	90501-16M65-00	SPRING, COMPRESSION	1	

CONTINUED ON NEXT FRAME >

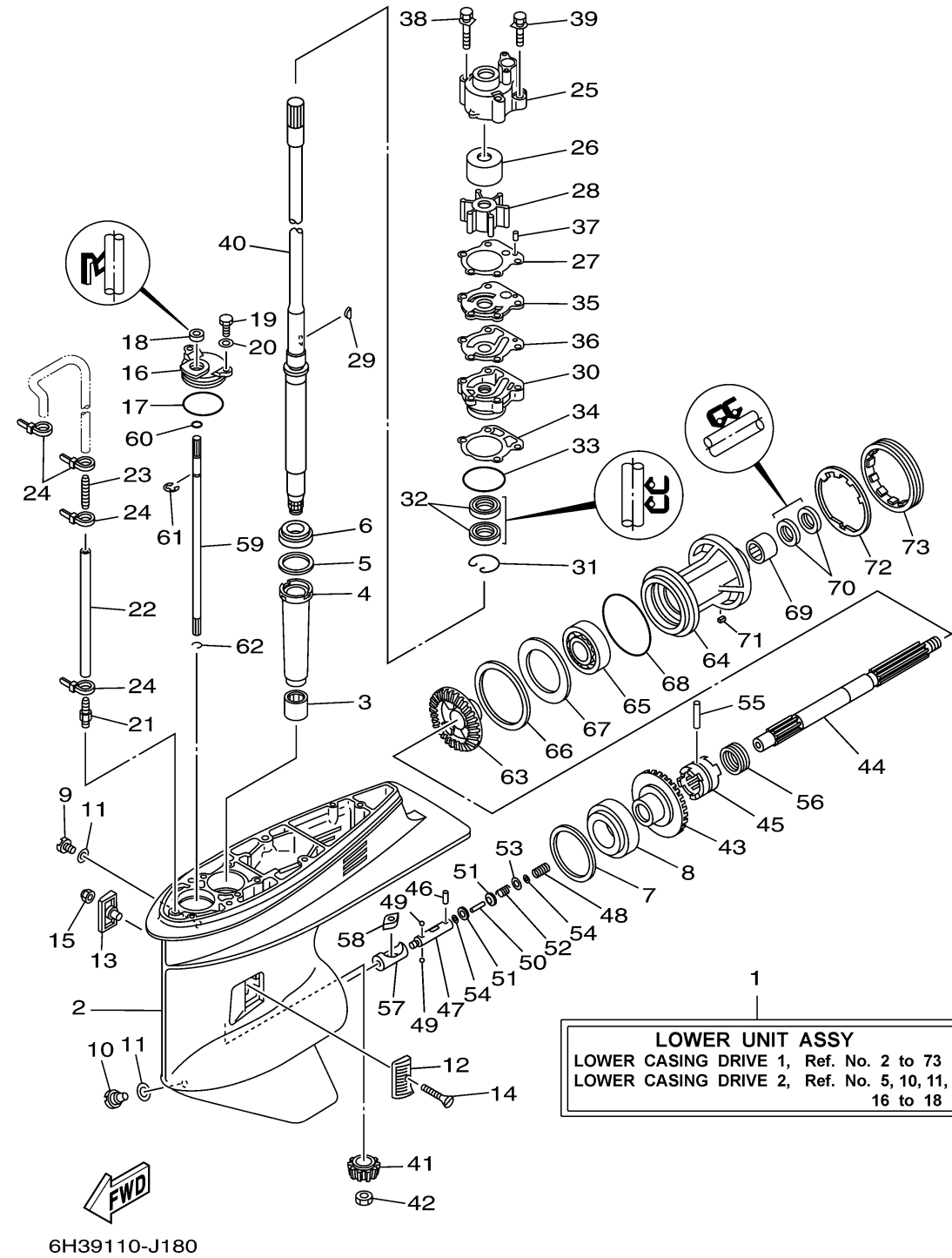
# LOWER CASING DRIVE 1



Ref No.	Part Number	Description	Qty	Remarks
49	93503-16003-00	BALL	2	
50	6H1-45668-00-00	SHAFT, FREE 1	1	
51	6H1-45635-00-00	PLUNGER, SHIFT	2	
52	90501-12M48-00	SPRING, COMPRESSION	1	
53	90201-03313-00	WASHER, PLATE	1	
54	90183-02M03-00	NUT, SPRING	2	
55	90250-07M02-00	PIN, STRAIGHT	1	
56	688-45633-00-00	RING, CROSS PIN	1	
57	6H1-45641-01-00	SHIFTER	1	
58	6H1-44151-00-00	CAM, SHIFT	1	
59	6H1-44144-00-00	ROD, SHIFT	1	
60	93210-07003-00	O-RING	1	
61	99001-08600-00	.CIRCLIP	1	
62	93450-07M00-00	CIRCLIP	1	
63	6H3-45571-00-00	GEAR (28T)	1	
64	688-45331-00-94	HOUSING, BEARING	1	
65	93306-207U0-00	.BEARING	1	
66	688-45577-01-00	SHIM (T:0.10MM)	1	UR
66	688-45577-10-00	SHIM (T:0.12MM)	1	UR
66	688-45577-20-00	SHIM (T:0.15MM)	1	UR

CONTINUED ON NEXT FRAME >

# LOWER CASING DRIVE 1



Ref No.	Part Number	Description	Qty	Remarks
66	688-45577-30-00	SHIM (T:0.18MM)	1	UR
66	688-45577-40-00	SHIM (T:0.30MM)	1	UR
66	688-45577-50-00	SHIM (T:0.40MM)	1	UR
66	688-45577-60-00	SHIM (T:0.50MM)	1	UR
67	688-45576-00-00	WASHER, THRUST	1	
68	93210-85M97-00	O-RING	1	
69	93317-325U0-00	BEARING	1	
70	93101-25M03-00	.OIL SEAL	2	
71	90282-04010-00	KEY, STRAIGHT	1	
72	688-45383-02-00	WASHER, CLAW	1	
73	688-45384-00-00	NUT	1	