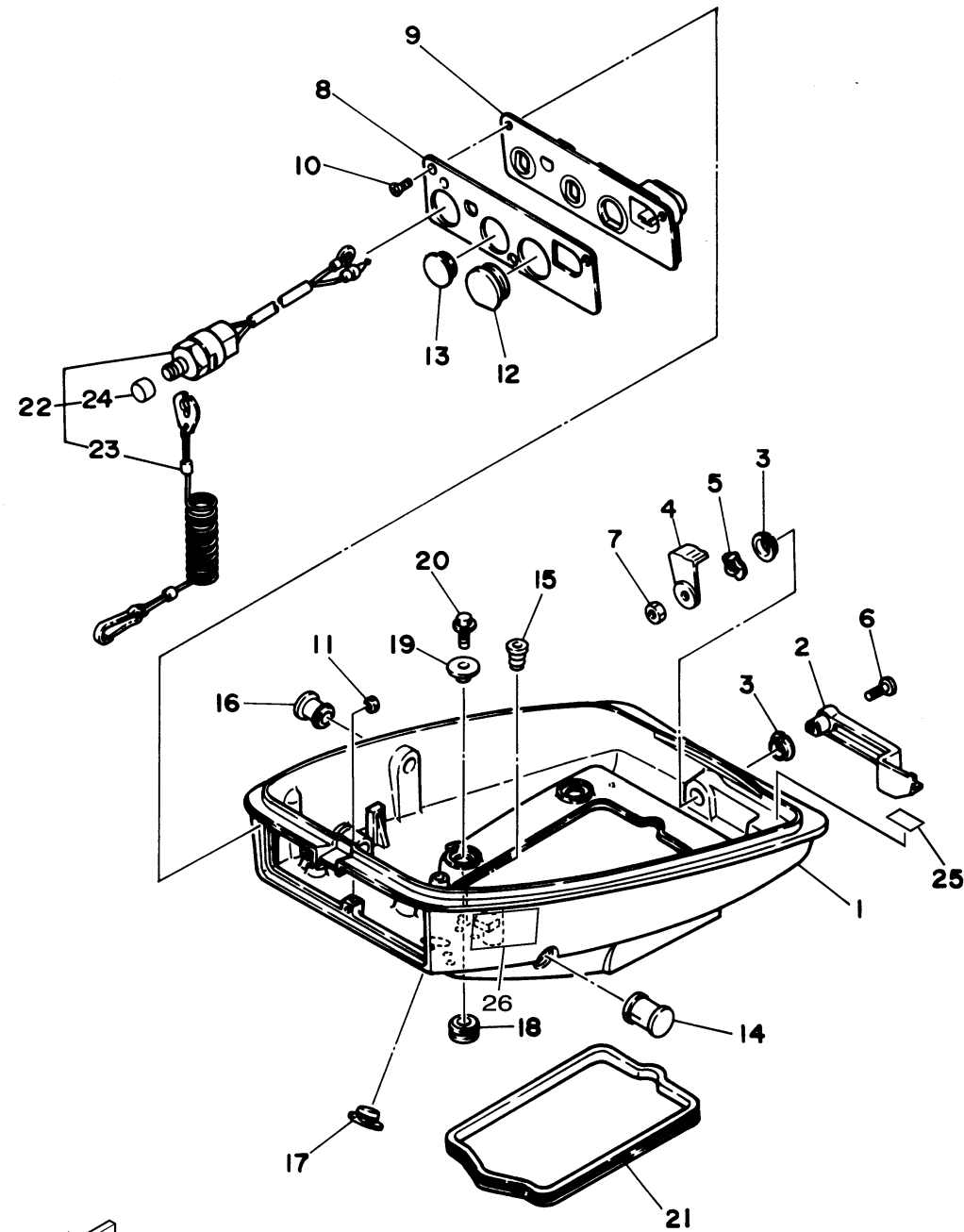


# BOTTOM COWLING

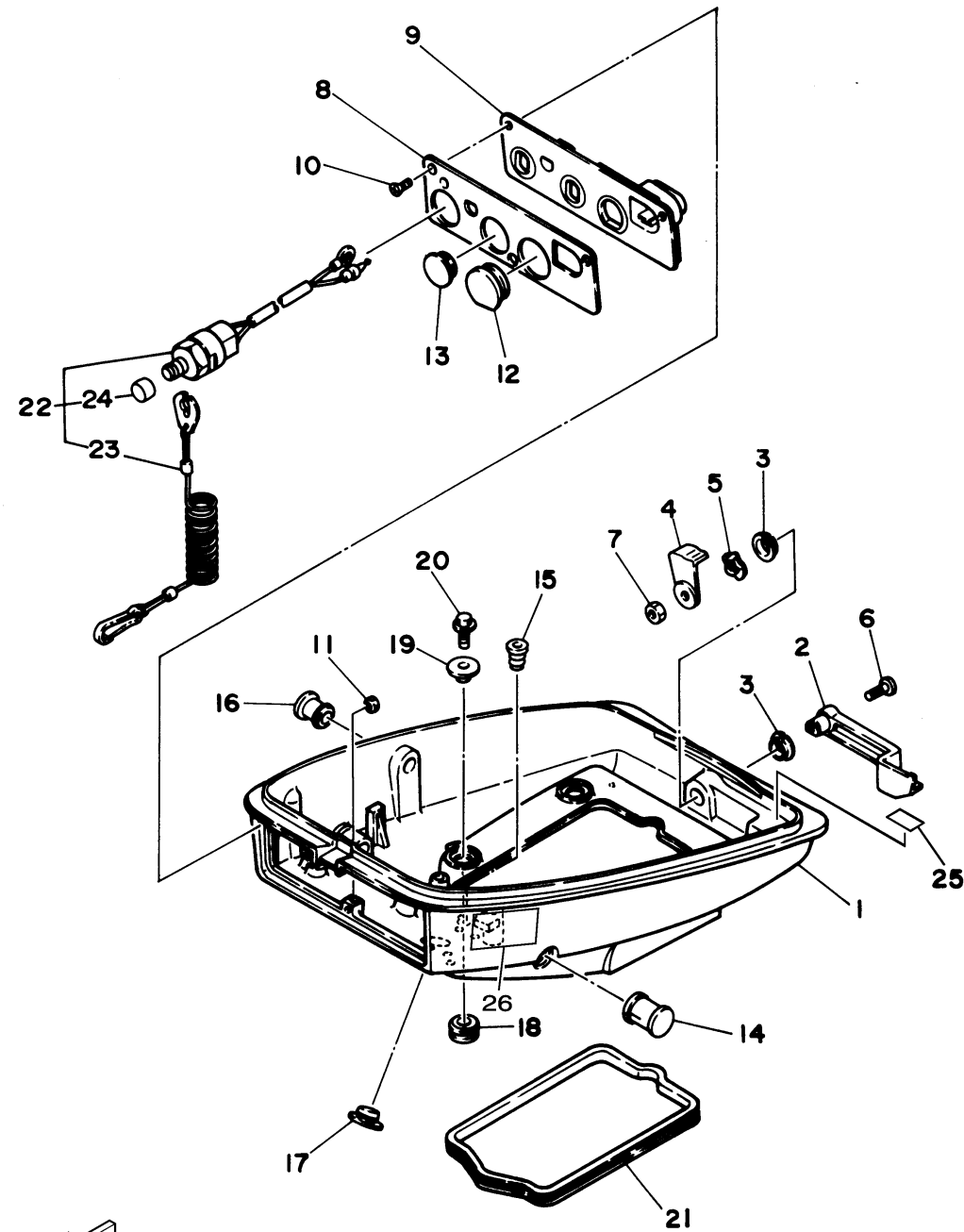


6N08110-H110

| Ref No. | Part Number     | Description        | Qty | Remarks |
|---------|-----------------|--------------------|-----|---------|
| 1       | 6N0-G2711-00-4D | COWLING, BOTTOM 1  | 1   |         |
| 2       | 6N0-G2815-00-4D | LEVER, CLAMP       | 1   |         |
| 3       | 90386-12M45-00  | BUSH               | 2   |         |
| 4       | 6E0-42816-00-00 | LEVER, CLAMP       | 1   |         |
| 5       | 90206-12052-00  | WASHER, WAVE       | 1   |         |
| 6       | 97885-06030-00  | SCREW, PAN HEAD    | 1   |         |
| 7       | 95380-06700-00  | NUT                | 1   |         |
| 8       | 6N0-G2719-80-00 | PANEL, FRONT LOWER | 1   |         |
| 9       | 6N0-G2767-00-00 | BRACKET            | 1   |         |
| 10      | 90149-05M02-00  | SCREW              | 3   |         |
| 11      | 95380-05700-00  | NUT                | 1   |         |
| 12      | 6G1-42724-00-00 | GROMMET            | 1   |         |
| 13      | 6G1-42725-00-00 | GROMMET            | 1   |         |
| 14      | 6G1-42726-00-00 | GROMMET            | 1   |         |
| 15      | 6G1-42727-00-00 | GROMMET            | 1   |         |
| 16      | 6G1-42748-00-00 | GROMMET            | 1   |         |
| 17      | 6G1-26326-00-00 | GROMMET            | 1   |         |
| 18      | 90480-15M31-00  | GROMMET            | 4   |         |
| 19      | 90387-06M52-00  | COLLAR             | 4   |         |
| 20      | 95895-06020-00  | BOLT, FLANGE       | 4   |         |

CONTINUED ON NEXT FRAME >

# BOTTOM COWLING



| Ref No. | Part Number     | Description              | Qty | Remarks |
|---------|-----------------|--------------------------|-----|---------|
| 21      | 6N0-G2716-00-00 | RUBBER, SEAL 1           | 1   |         |
| 22      | 6E9-82575-02-00 | ENGINE STOP SWITCH ASSY  | 1   |         |
| 23      | 682-82556-00-00 | . .LANYARD, STOP SWITCH  | 1   |         |
| 24      | 689-8257Y-00-00 | . .CAP                   | 1   |         |
| 25      | 6E7-42791-00-00 | MARK 1                   | 1   |         |
| 26      | 6AH-42794-40-00 | LABEL, WARNING (GENERAL) | 1   |         |



6N08110-H110