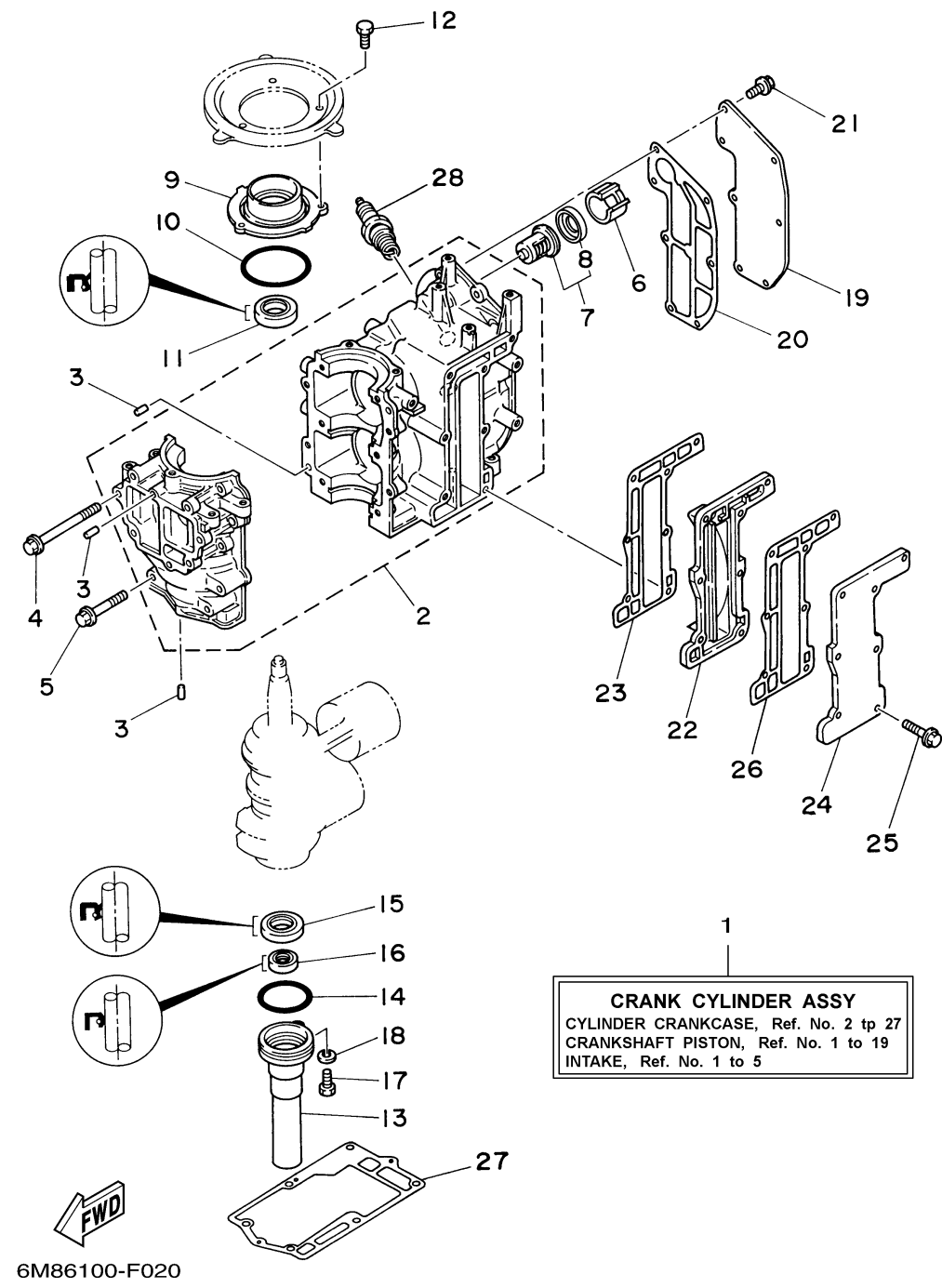


CYLINDER CRANKCASE



Ref No.	Part Number	Description	Qty	Remarks
1	6N0-WE090-01-1S	CRANK CYLINDER ASSY	1	
2	6N0-E5100-00-1S	CRANKCASE ASSY	1	
3	93604-08062-00	PIN, DOWEL	4	
4	90105-06M26-00	BOLT, FLANGE	6	
5	90105-06M25-00	BOLT, FLANGE	4	
6	90387-22M50-00	COLLAR	1	
7	6E5-12411-02-00	THERMOSTAT	1	
8	6E5-12412-00-00	.SEAL, THERMOSTAT	1	
9	6G1-15359-01-94	HOUSING, OIL SEAL	1	
10	93210-54M54-00	O-RING	1	
11	93102-20M25-00	OIL SEAL	1	
12	97013-06016-00	BOLT	3	
13	6G1-15396-02-CA	HOUSING, OIL SEAL	1	
14	93210-42159-00	.O-RING	1	
15	93101-20M34-00	.OIL SEAL	1	
16	93101-12M26-00	.OIL SEAL	1	
17	97095-06016-00	BOLT	1	
18	92995-06600-00	WASHER	1	
19	6N0-E1191-00-1S	COVER, CYLINDER HEAD 1	1	
20	6G1-11193-A1-00	.GASKET, HEAD COVER 1	1	

CONTINUED ON NEXT FRAME >

CYLINDER CRANKCASE

Ref No.	Part Number	Description	Qty	Remarks
21	90105-06039-00	BOLT, FLANGE	7	
22	6N0-G1111-00-1S	INNER COVER, EXHAUST	1	
23	6G1-41112-A1-00	.GASKET, EXHAUST INNER COVER	1	
24	6G1-41113-01-1S	OUTER COVER, EXHAUST	1	
25	90105-06037-00	BOLT, FLANGE	7	
26	6G1-41114-A0-00	GASKET, EXHAUST OUTER COVER	1	
27	6G1-45113-A1-00	GASKET, UPPER CASING	1	
28	NGK-B7HS1-00-00	PLUG, SPARK (NGK B7HS-10)	2	

