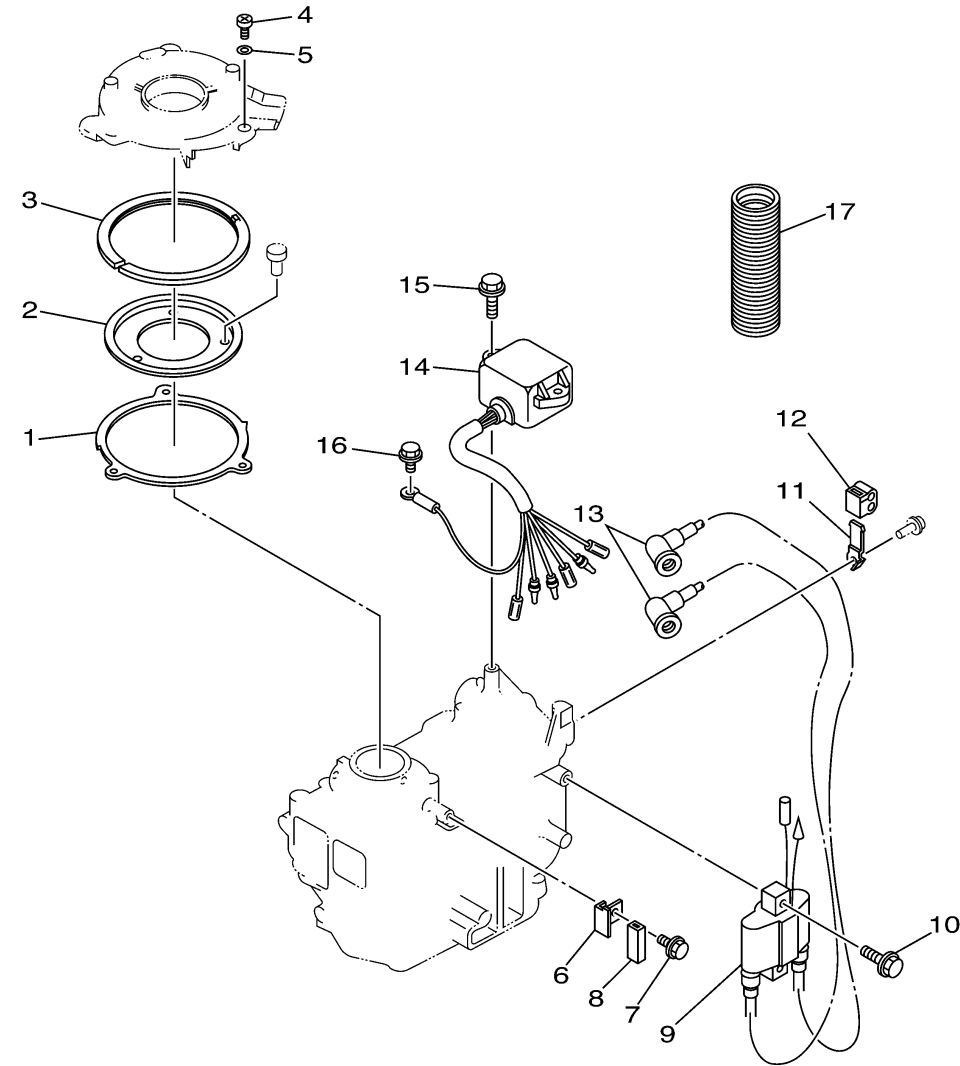


ELECTRICAL



Ref No.	Part Number	Description	Qty	Remarks
1	6N0-G1611-00-00	RETAINER, MAGNETO BASE	1	
2	6G1-41612-00-00	RETAINER, MAGNETO BASE	1	
3	6N0-G1613-00-00	PLATE, BASE FRICTION	1	
4	97885-05010-00	..SCREW, PAN HEAD	3	
5	92995-05600-00	WASHER	3	
6	6G1-41615-01-00	STOPPER, MAGNETO BASE	1	
7	95895-06010-00	BOLT, FLANGE	1	
8	6G1-44194-00-00	CAP	1	
9	6G1-85570-02-00	IGNITION COIL ASSY	1	
10	95895-06025-00	BOLT, FLANGE	2	
11	6M8-82361-00-00	CLAMP, CORD	1	
12	6M8-82362-00-00	CLAMP, CORD 2	1	
13	663-82370-01-00	PLUG CAP ASSY	2	
14	696-85540-12-00	C.D.I. UNIT ASSY	1	
15	95895-06020-00	BOLT, FLANGE	2	
16	95895-06010-00	BOLT, FLANGE	1	
17	6G1-83557-00-00	TUBE	1	



6M84100-D100