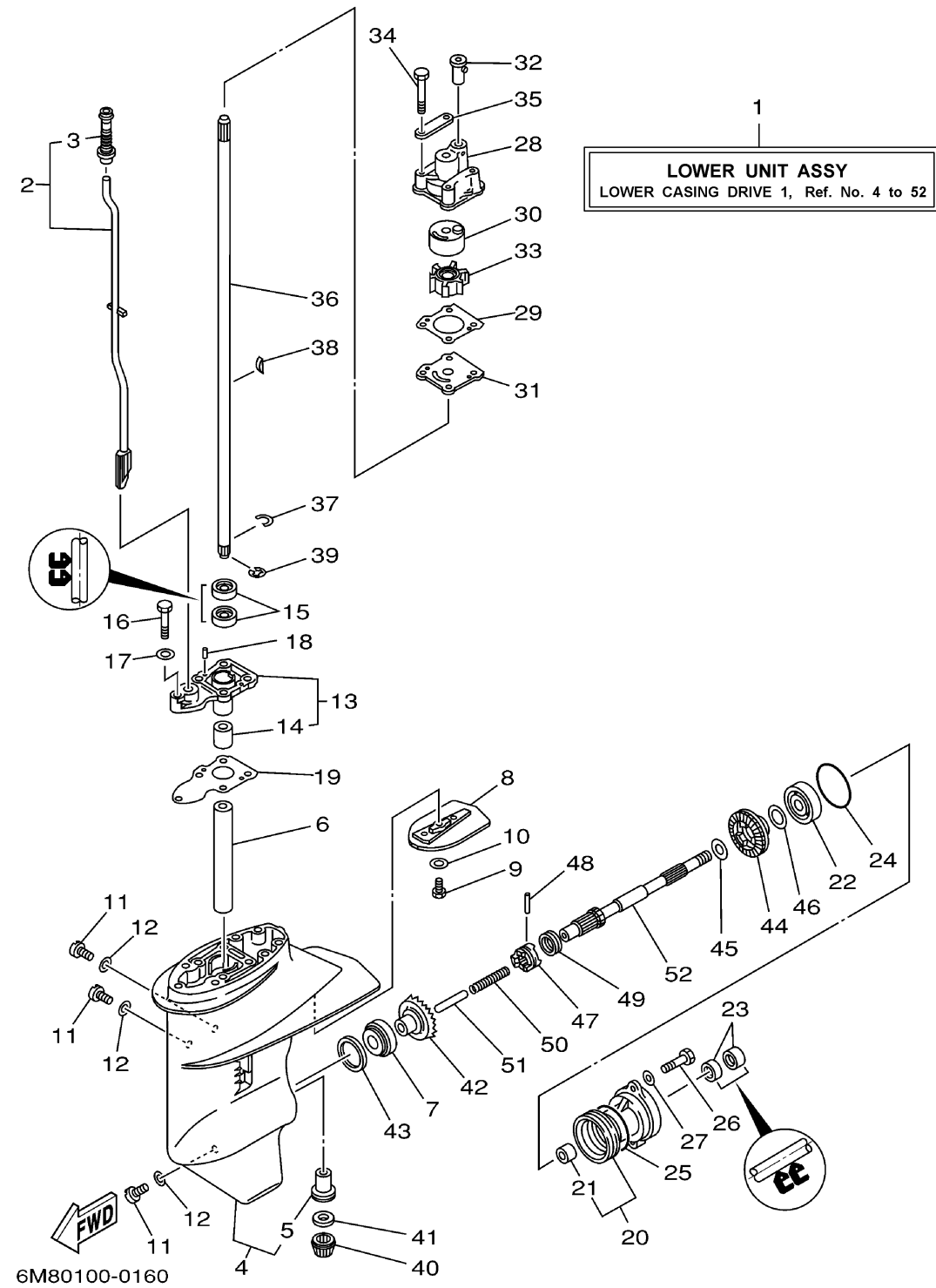
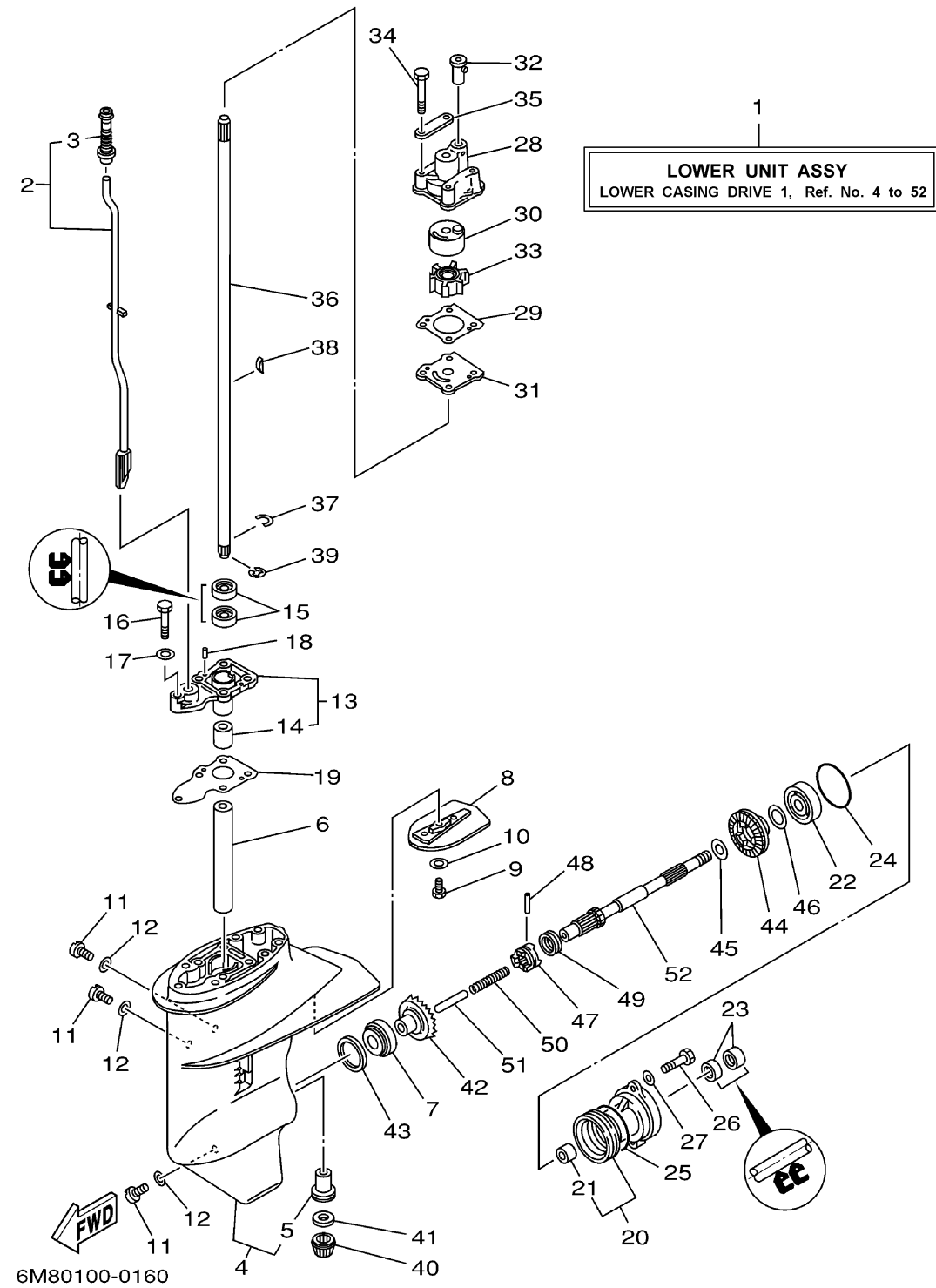


# LOWER CASING DRIVE 1



Ref No.	Part Number	Description	Qty	Remarks
1	6M8-G5300-00-4D	LOWER UNIT ASSY	1	S(17.2")
2	6N0-G4150-00-00	SHIFT CAM ASSY	1	S(17.2")
3	6G1-44147-00-00	. .BOOT, SHIFT ROD	1	
4	6N0-G5311-00-4D	CASING, LOWER	1	
5	6G1-45317-09-00	. .BUSHING, DRIVE SHAFT	1	
6	90387-14M49-00	COLLAR	1	
7	93332-000U4-00	BEARING	1	
8	6N0-G5251-00-00	ANODE	1	
9	97095-06016-00	BOLT	1	
10	92990-06300-00	WASHER, INTERNAL TOOTH	1	
11	90340-08002-00	PLUG, STRAIGHT SCREW	3	
12	90430-08020-00	.GASKET	3	
13	6G1-45331-01-CA	HOUSING, BEARING	1	
14	6G1-45316-09-00	. .BUSHING, DRIVE SHAFT	1	
15	93101-11M23-00	.OIL SEAL	2	
16	97095-06030-00	BOLT	1	
17	92995-06600-00	WASHER	1	
18	93604-08062-00	PIN, DOWEL	2	
19	6G1-45315-A0-00	.PACKING, LOWER CASING	1	
20	6N0-G5361-00-4D	CAP, LOWER CASING	1	

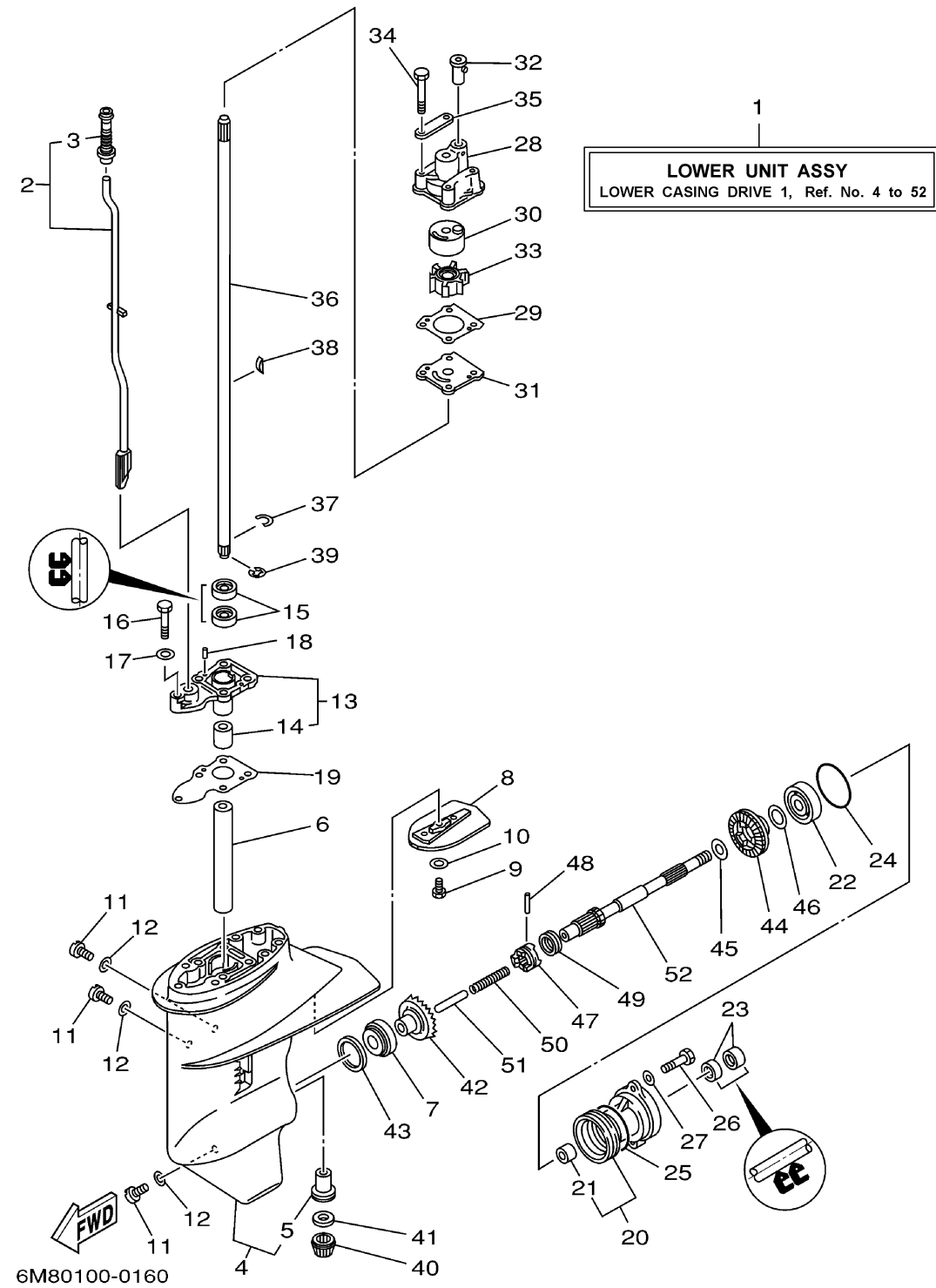
CONTINUED ON NEXT FRAME >



# LOWER CASING DRIVE 1

Ref No.	Part Number	Description	Qty	Remarks
21	6G1-45362-09-00	.BUSHING	1	
22	93306-004YH-00	BEARING	1	
23	93101-15074-00	.OIL SEAL	2	
24	93210-49046-00	.O-RING	1	
25	93210-53M08-00	.O-RING	1	
26	97095-06016-00	BOLT	2	
27	92995-06600-00	WASHER	2	
28	6N0-G4311-00-00	HOUSING, WATER PUMP	1	
29	6G1-44315-A0-00	.GASKET, WATER PUMP	1	
30	6G1-44322-00-00	.INSERT, CARTRIDGE	1	
31	6G1-44323-00-00	.OUTER PLATE, CARTRIDGE	1	
32	647-44366-00-00	.DAMPER, WATER SEAL	1	
33	6G1-44352-00-00	.IMPELLER	1	
34	97095-06045-00	.BOLT	4	
35	6G1-44328-00-00	.PLATE	2	
36	6N0-G5511-00-00	SHAFT, DRIVE	1	S(17.2")
37	90467-09M05-00	CLIP	1	
38	90280-03024-00	.KEY, WOODRUFF	1	
39	99001-06600-00	CIRCLIP	1	
40	6N0-G5551-00-00	PINION (13T)	1	

CONTINUED ON NEXT FRAME >



# LOWER CASING DRIVE 1

Ref No.	Part Number	Description	Qty	Remarks
41	6G1-45533-30-00	SHIM (T:2.20MM)	1	UR
41	6G1-45533-20-00	SHIM (T:2.10MM)	1	UR
41	6G1-45533-10-00	SHIM (T:2.00MM)	1	UR
41	6G1-45533-00-00	SHIM (T:1.90MM)	1	UR
42	6N0-G5560-00-00	GEAR 1 (27T)	1	
43	664-45587-30-00	SHIM (T:0.18MM)	1	UR
43	664-45587-60-00	SHIM (T:0.50MM)	1	UR
43	664-45587-40-00	SHIM (T:0.30MM)	1	UR
43	664-45587-50-00	SHIM (T:0.40MM)	1	UR
43	664-45587-01-00	SHIM (T:0.10MM)	1	UR
43	664-45587-10-00	SHIM (T:0.12MM)	1	UR
43	664-45587-20-00	SHIM (T:0.15MM)	1	UR
44	6N0-G5571-00-00	GEAR 2 (27T)	1	
45	90201-15M89-00	WASHER, PLATE	1	
46	647-45567-00-00	SHIM (T:0.10MM)	1	UN
47	6G1-45631-00-00	CLUTCH, DOG	1	
48	6G1-45632-00-00	PIN, CROSS	1	
49	654-45633-00-00	RING, CROSS PIN	1	
50	90501-12M38-00	SPRING, COMPRESSION	1	
51	6G1-45635-00-00	PLUNGER, SHIFT	1	

CONTINUED ON NEXT FRAME >

# LOWER CASING DRIVE 1

Ref No.	Part Number	Description	Qty	Remarks
52	6G1-45611-01-00	SHAFT, PROPELLER	1	

