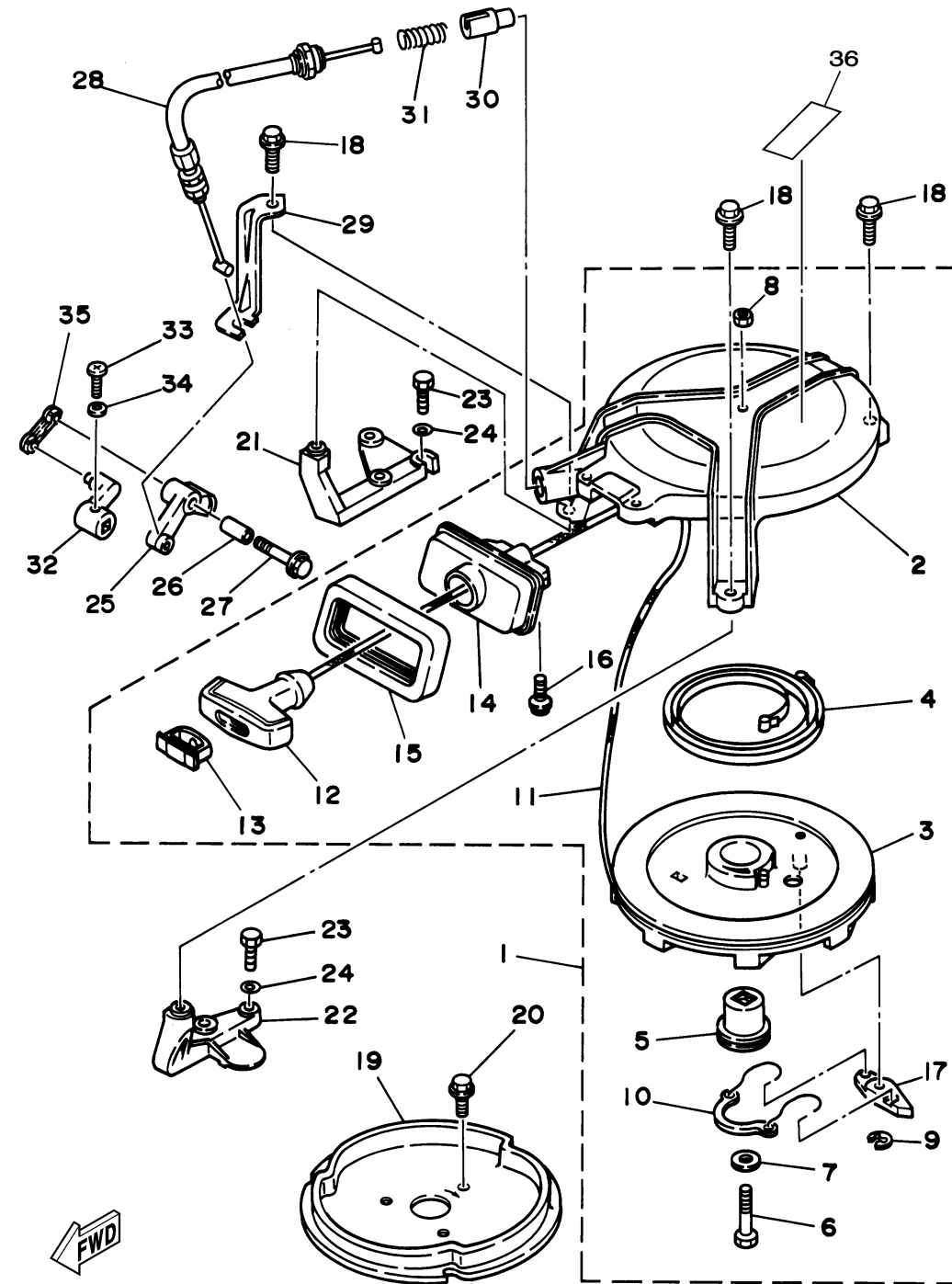


STARTER

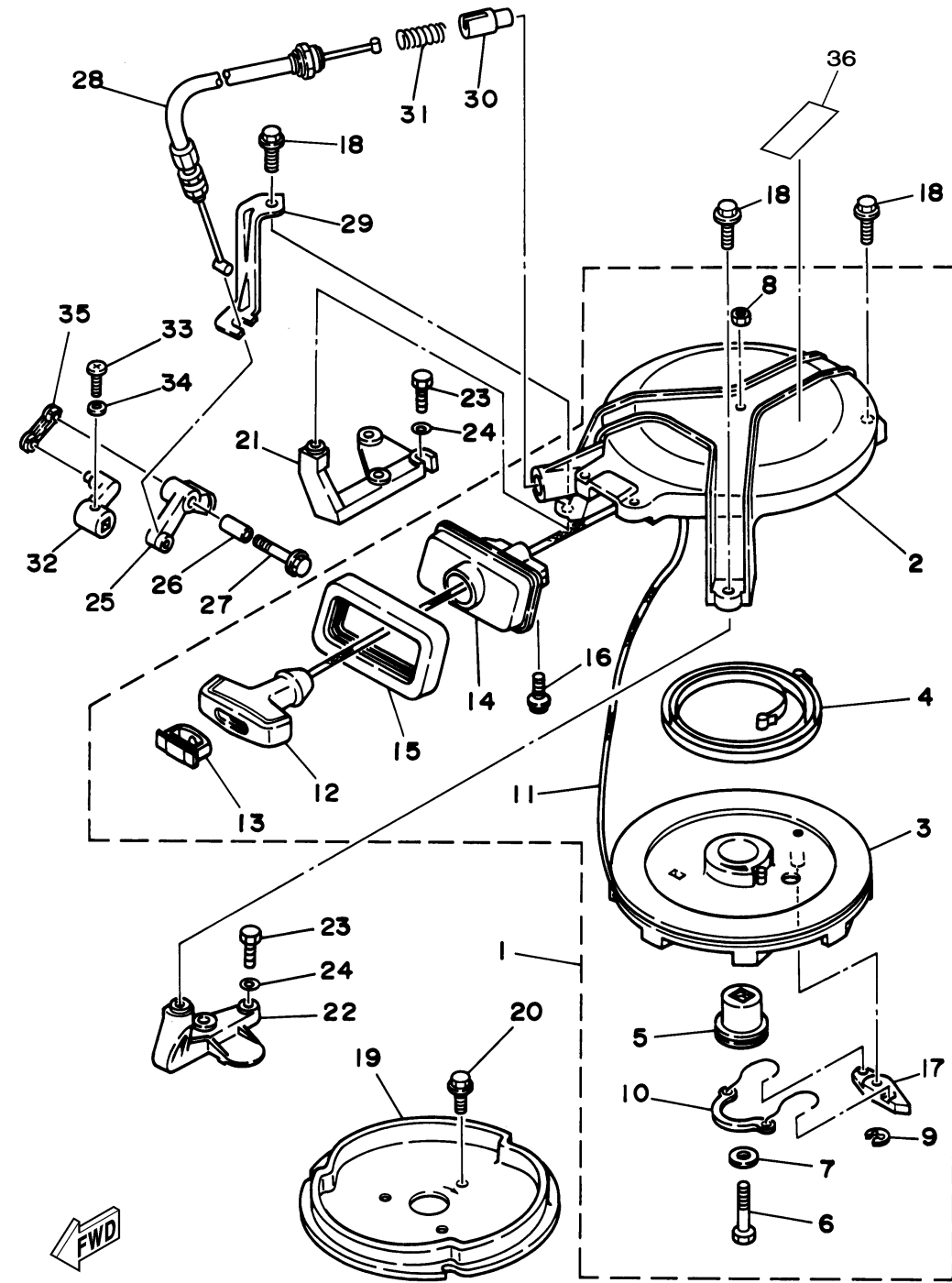


6N08110-H080

Ref No.	Part Number	Description	Qty	Remarks
1	6M8-E5710-03-00	STARTER ASSY	1	
2	6N0-E5711-80-94	. .CASE, STARTER	1	
3	6M8-E5714-00-00	. .DRUM, SHEAVE	1	
4	90510-08M03-00	. .SPRING, SPIRAL	1	
5	6G1-15717-00-00	. .SHAFT, STARTER	1	
6	97013-06035-00	. BOLT	1	
7	90201-06M30-00	. WASHER, PLATE	1	
8	95303-06600-00	. .NUT	1	
9	93430-06M02-00	. .CIRCLIP	1	
10	6G1-15705-00-00	. .SPRING, DRIVE PAWL	1	
11	90890-44372-00	. . STARTER ROPE	1	UNAVAILABLE-OBTAIN LOCALLY, CUT TO 1.85M
12	6G1-15755-00-00	. .HANDLE, STARTER	1	
13	6G1-15779-00-00	. .COVER	1	
14	6N0-E5758-00-00	. .GUIDE, ROPE	1	
15	6G1-15762-00-00	. .SEAL, RUBBER 2	1	
16	95895-06016-00	. BOLT, FLANGE	2	
17	677-15741-01-00	. .PAWL, DRIVE	1	
18	95895-06020-00	BOLT, FLANGE	3	
19	6N0-E5723-00-94	PULLEY, STARTER	1	
20	90105-06M29-00	BOLT, FLANGE	3	

CONTINUED ON NEXT FRAME >

STARTER



6N08110-H080

Ref No.	Part Number	Description	Qty	Remarks
21	6N0-E5771-00-94	STAY 1	1	
22	6N0-E5772-00-94	STAY 2	1	
23	97075-06020-00	BOLT	4	
24	92995-06600-00	WASHER	4	
25	6G1-15746-10-00	ARM	1	
26	6G1-15764-00-00	COLLAR 1	1	
27	95895-06025-00	BOLT, FLANGE	1	
28	6N0-E5770-90-00	CABLE COMP., STARTER STOP	1	
29	6G1-15774-81-00	STAY 4	1	
30	656-15748-00-00	PLUNGER, STARTER STOP	1	
31	90501-10227-00	SPRING, COMPRESSION	1	
32	6G1-44125-80-00	LEVER, SHIFT ROD	1	
33	97880-05016-00	SCREW, PAN HEAD	1	
34	92990-05600-00	WASHER, PLATE	1	
35	6G1-15747-80-00	LINK	1	
36	6AH-81995-40-00	LABEL, WARNING	1	