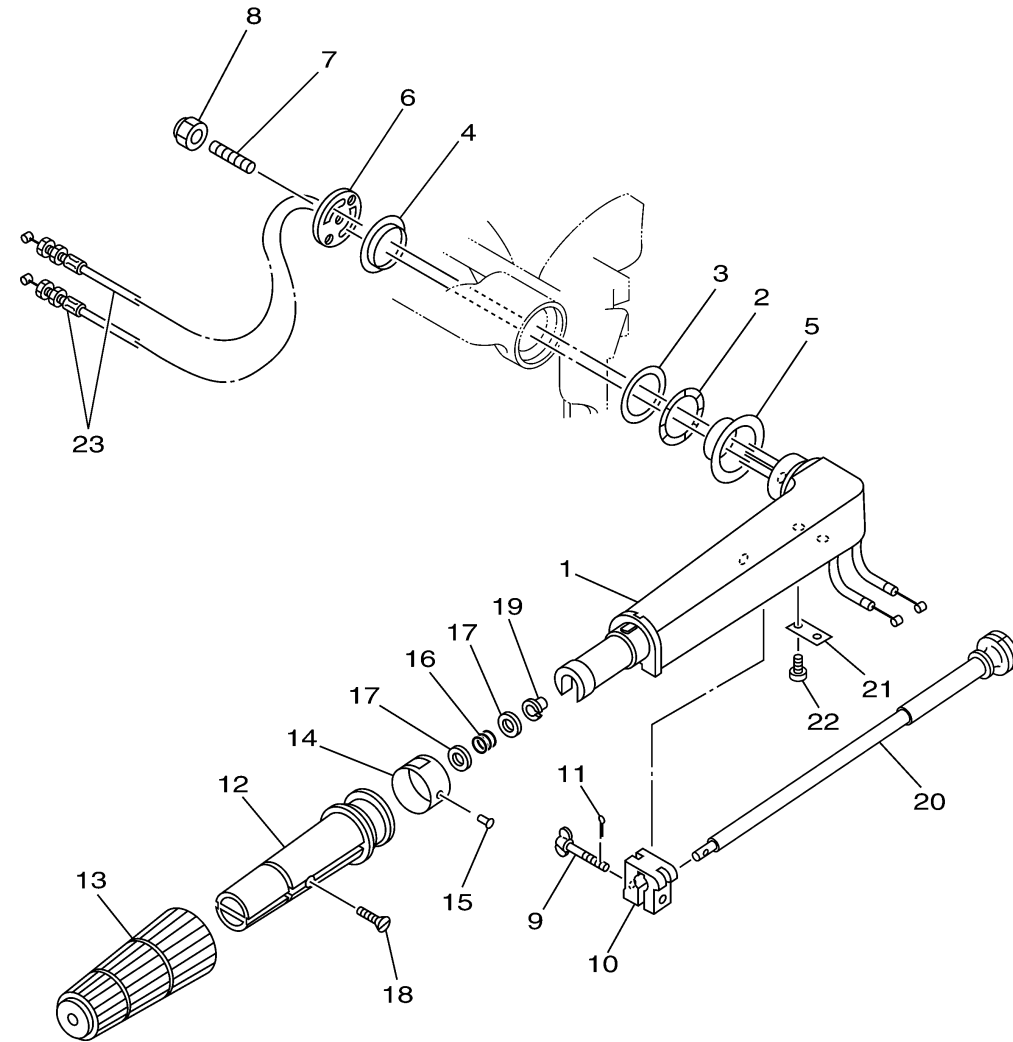


STEERING



Ref No.	Part Number	Description	Qty	Remarks
1	6M8-G2111-11-4D	HANDLE, STEERING	1	
2	90206-36M21-00	WASHER, WAVE	1	
3	90202-36M55-00	WASHER, PLATE	1	
4	90386-33M96-00	BUSH	1	
5	90386-34M97-00	BUSH	1	
6	6G1-42131-02-00	COVER, HANDLE STEERING	1	
7	90116-08016-00	BOLT, STUD	1	
8	90185-08057-00	NUT, SELF-LOCKING	1	
9	6G1-42125-01-00	BOLT, FRICTION ADJUSTING	1	
10	6G1-42126-00-00	FRICTION, STEERING HANDLE GRIP	1	
11	91490-16010-00	PIN. COTTER	1	
12	6M4-G2119-00-00	GRIP, STEERING HANDLE	1	
13	6N0-G2177-00-00	RUBBER, HANDLE	1	
14	6N0-G2137-10-00	INDICATOR, THROTTLE	1	
15	90269-02M09-00	RIVET	1	
16	90501-23215-00	SPRING, COMPRESSION	1	
17	90201-10M02-00	.WASHER, PLATE	2	
18	90149-05M13-00	SCREW	1	
19	90386-08032-00	BUSH	1	
20	6G1-42138-01-00	LEVER, THROTTLE	1	

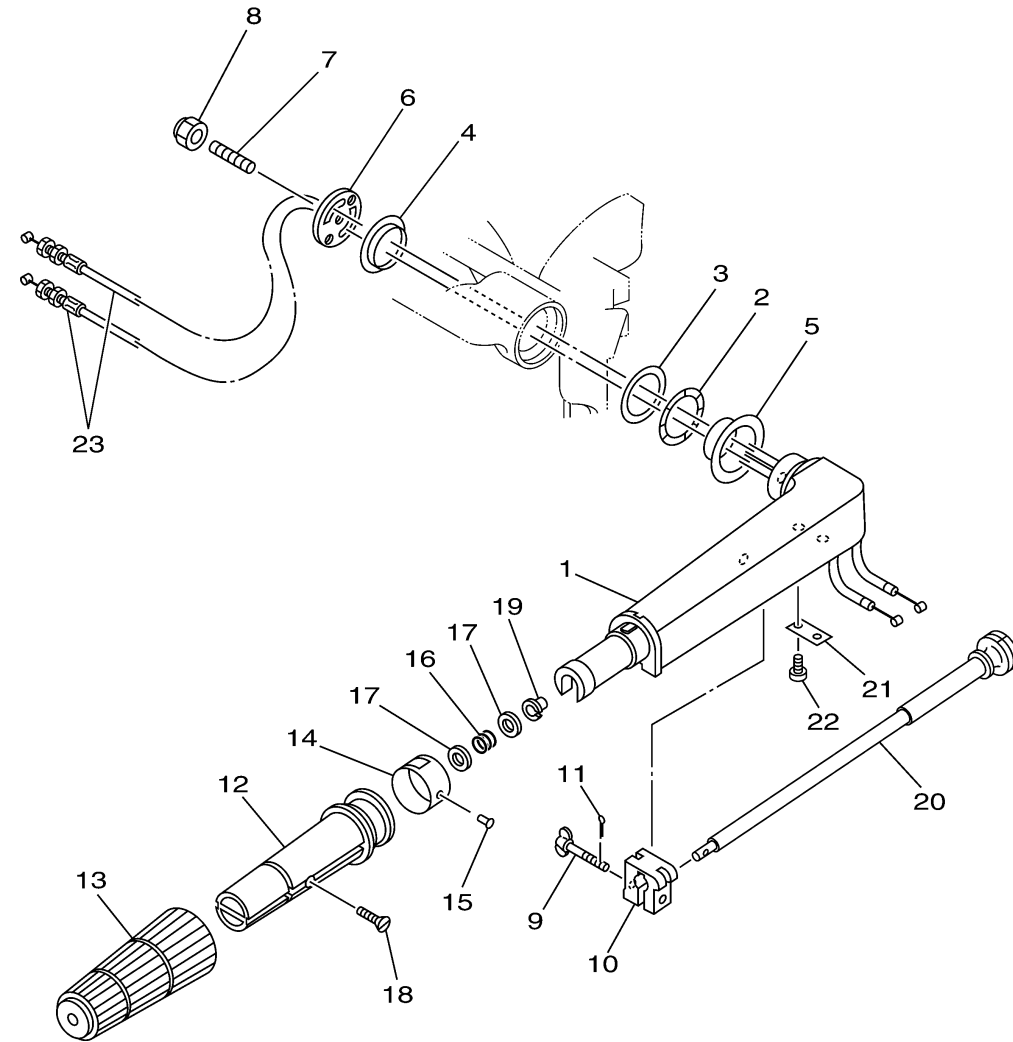
CONTINUED ON NEXT FRAME >



6N08110-H120

STEERING

Ref No.	Part Number	Description	Qty	Remarks
21	6E0-42159-02-00	STAY	1	
22	97885-05012-00	SCREW, PAN HEAD	2	
23	6N0-F6301-10-00	THROTTLE CABLE ASSY	2	



6N08110-H120