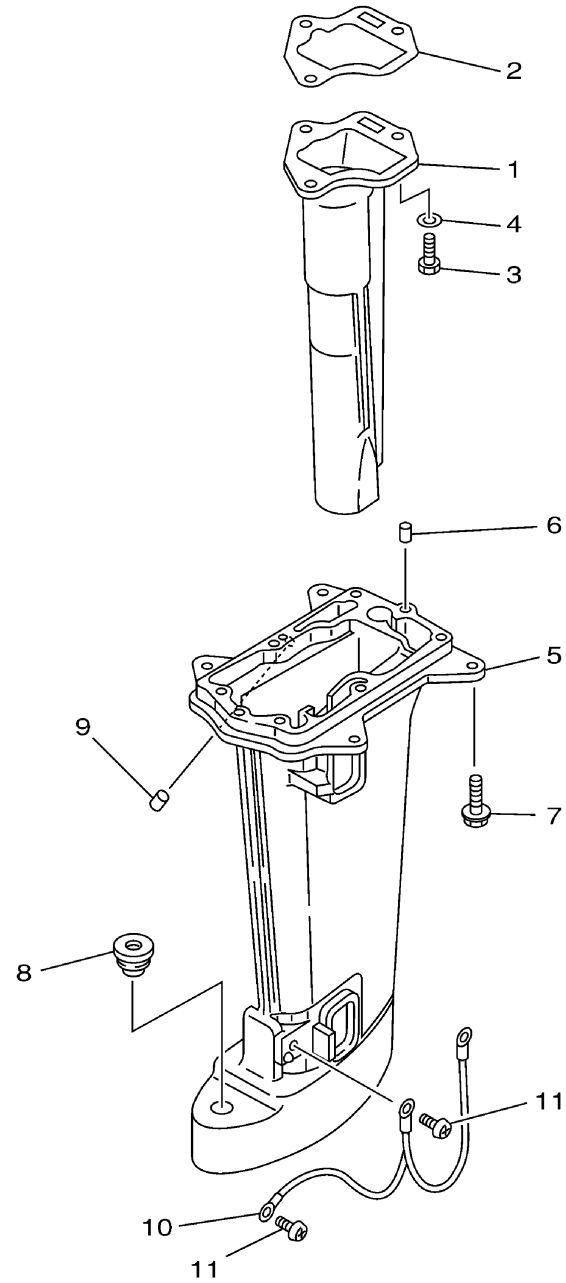


UPPER CASING




6N00110-1150

Ref No.	Part Number	Description	Qty	Remarks
1	6N0-G1131-00-CA	MANIFOLD, EXT. 1	1	
2	6G1-41133-A0-00	.GASKET, EXHAUST MANIFOLD 1	1	
3	97095-06020-00	BOLT	3	
4	92995-06600-00	WASHER	3	
5	6N0-G5111-00-4D	CASING, UPPER	1	S(17.2")
6	93604-08062-00	PIN, DOWEL	2	
7	95895-06030-00	BOLT, FLANGE	6	
8	90480-20M29-00	GROMMET	1	S(17.2")
9	6G1-45135-00-00	PIPE	1	
10	6G1-82149-00-00	WIRE, LEAD 3	1	
11	97885-06008-00	SCREW, PAN HEAD	2	