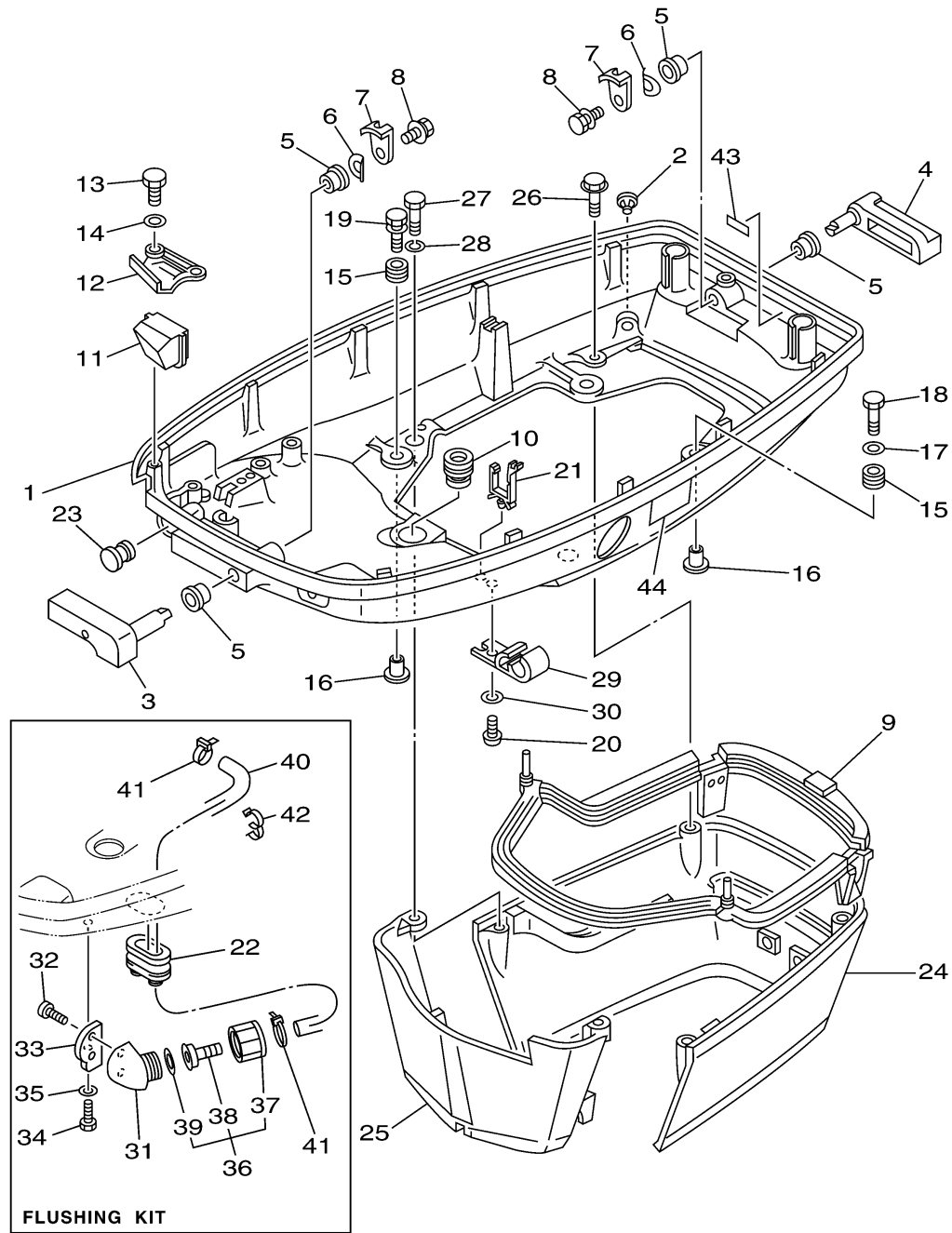


# BOTTOM COWLING

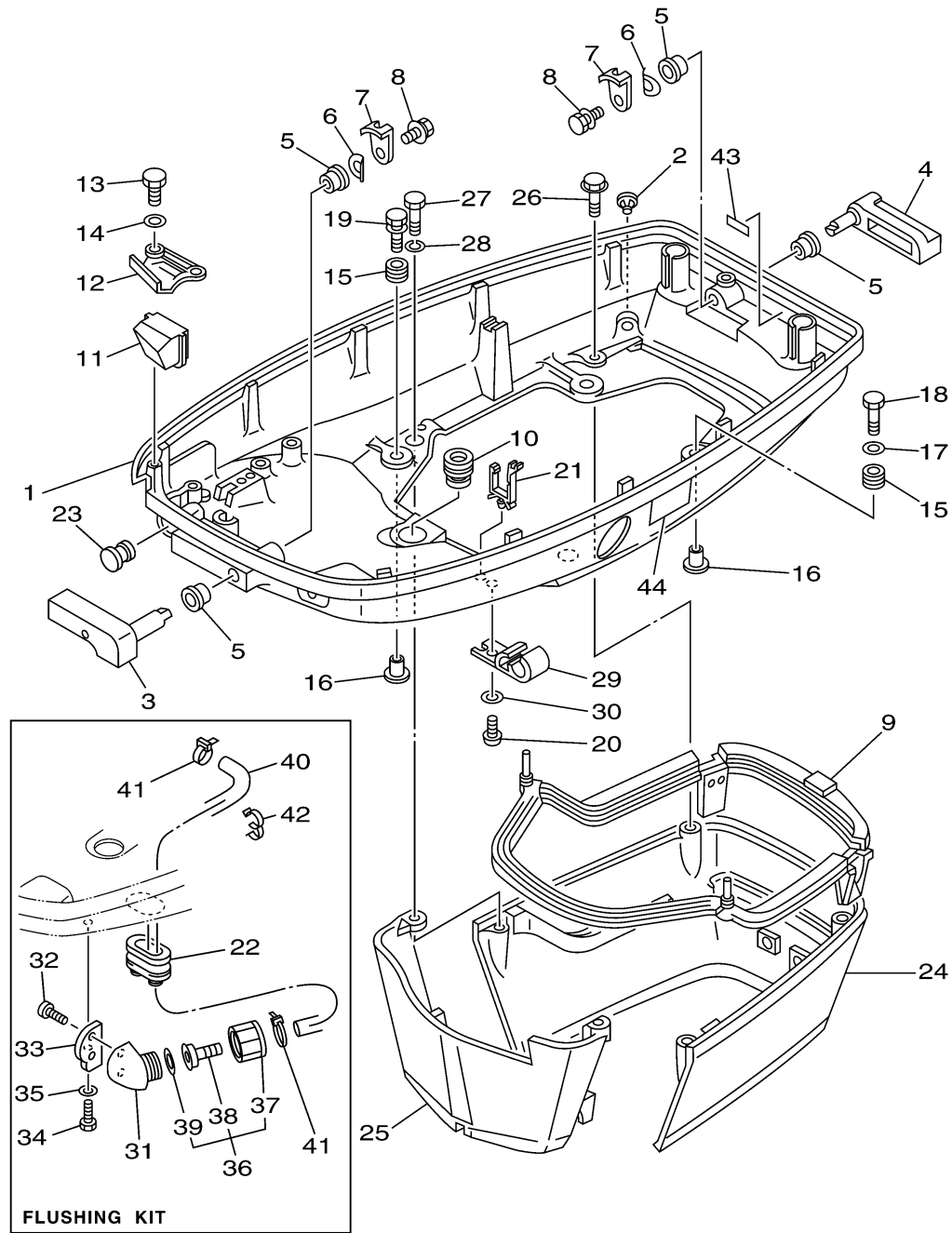


6H1C110-J120

| Ref No. | Part Number     | Description       | Qty | Remarks      |
|---------|-----------------|-------------------|-----|--------------|
| 1       | 6H1-42711-10-8D | COWLING, BOTTOM 1 | 1   | FLUSHING KIT |
| 2       | 6BL-44391-00-00 | NIPPLE, HOSE      | 1   |              |
| 3       | 688-42815-01-8D | LEVER, CLAMP      | 1   |              |
| 4       | 688-42817-01-8D | LEVER, CLAMP      | 1   |              |
| 5       | 90386-13M38-00  | BUSH              | 4   |              |
| 6       | 90206-13019-00  | WASHER, WAVE      | 2   |              |
| 7       | 688-42816-00-00 | LEVER, CLAMP      | 2   |              |
| 8       | 90119-06M09-00  | BOLT, WITH WASHER | 2   |              |
| 9       | 688-42716-02-00 | RUBBER, SEAL 1    | 1   |              |
| 10      | 663-42724-00-00 | GROMMET           | 1   |              |
| 11      | 688-42725-20-00 | GROMMET           | 1   |              |
| 12      | 688-42738-01-8D | PLATE, FITTING    | 1   |              |
| 13      | 97095-06016-00  | BOLT              | 2   |              |
| 14      | 92995-06600-00  | WASHER            | 2   |              |
| 15      | 6BG-42748-00-00 | GROMMET           | 4   |              |
| 16      | 90387-06M69-00  | COLLAR            | 4   |              |
| 17      | 90201-06416-00  | WASHER, PLATE     | 1   |              |
| 18      | 97095-06030-00  | BOLT              | 1   |              |
| 19      | 90119-06M61-00  | BOLT, WITH WASHER | 3   |              |
| 20      | 90157-06M01-00  | SCREW, PAN HEAD   | 1   |              |

CONTINUED ON NEXT FRAME >

# BOTTOM COWLING

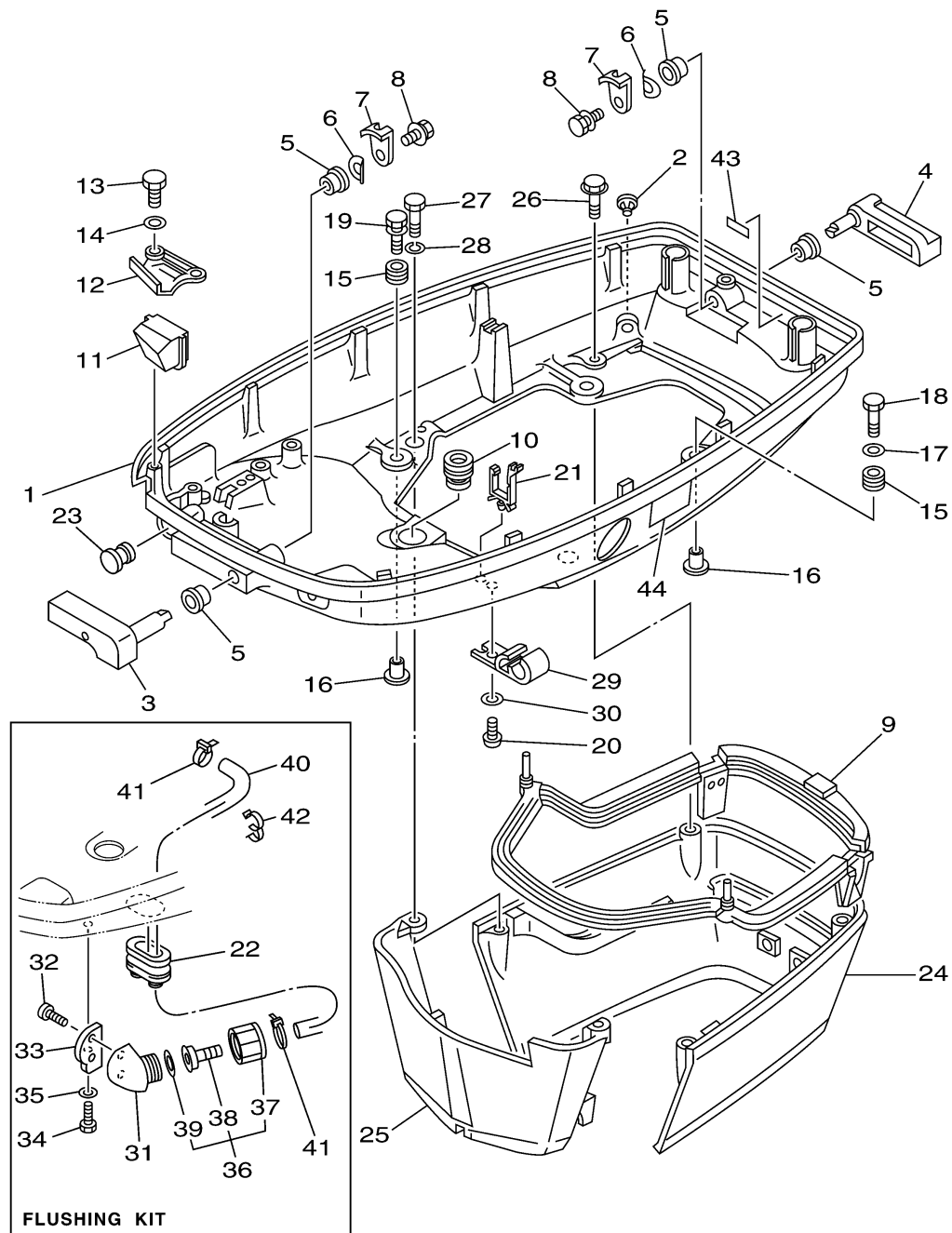


6H1C110-J120

| Ref No. | Part Number     | Description          | Qty | Remarks      |
|---------|-----------------|----------------------|-----|--------------|
| 21      | 90464-15M08-00  | CLAMP                | 1   |              |
| 22      | 6H1-42726-21-00 | GROMMET              | 1   | FLUSHING KIT |
| 23      | 6G1-42748-00-00 | GROMMET              | 1   |              |
| 24      | 688-42741-01-8D | APRON                | 1   |              |
| 25      | 688-42771-01-8D | APRON                | 1   |              |
| 26      | 97595-06420-00  | BOLT, WITH WASHER    | 2   |              |
| 27      | 97095-06030-00  | BOLT                 | 2   |              |
| 28      | 92995-06100-00  | WASHER, SPRING       | 2   |              |
| 29      | 6E5-24367-01-00 | CLAMP, FUEL PIPE 2   | 1   |              |
| 30      | 92990-06600-00  | WASHER, PLATE        | 1   |              |
| 31      | 68T-12572-00-00 | ADAPTER              | 1   | FLUSHING KIT |
| 32      | 90167-06002-00  | SCREW, TAPPING       | 2   | FLUSHING KIT |
| 33      | 6H1-12535-00-00 | PLATE                | 1   | FLUSHING KIT |
| 34      | 97095-06020-00  | BOLT                 | 1   | FLUSHING KIT |
| 35      | 92995-06600-00  | WASHER               | 1   | FLUSHING KIT |
| 36      | 6R3-12580-00-00 | .JOINT ASSY          | 1   | FLUSHING KIT |
| 37      | 6R3-12581-00-00 | . JOINT, HOSE 1      | 1   |              |
| 38      | 6R3-12582-00-00 | . JOINT, HOSE 2      | 1   |              |
| 39      | 6R3-12583-00-00 | . GASKET, HOSE JOINT | 1   |              |
| 40      | 6H1-24312-01-00 | PIPE 2               | 1   | FLUSHING KIT |

CONTINUED ON NEXT FRAME >

# BOTTOM COWLING



6H1C110-J120

| Ref No. | Part Number     | Description              | Qty | Remarks      |
|---------|-----------------|--------------------------|-----|--------------|
| 41      | 90465-11M10-00  | CLAMP                    | 2   | FLUSHING KIT |
| 42      | 90464-09M31-00  | CLAMP                    | 1   | FLUSHING KIT |
| 43      | 6G5-42791-00-00 | MARK 1                   | 1   |              |
| 44      | 6AH-42794-40-00 | LABEL, WARNING (GENERAL) | 1   |              |