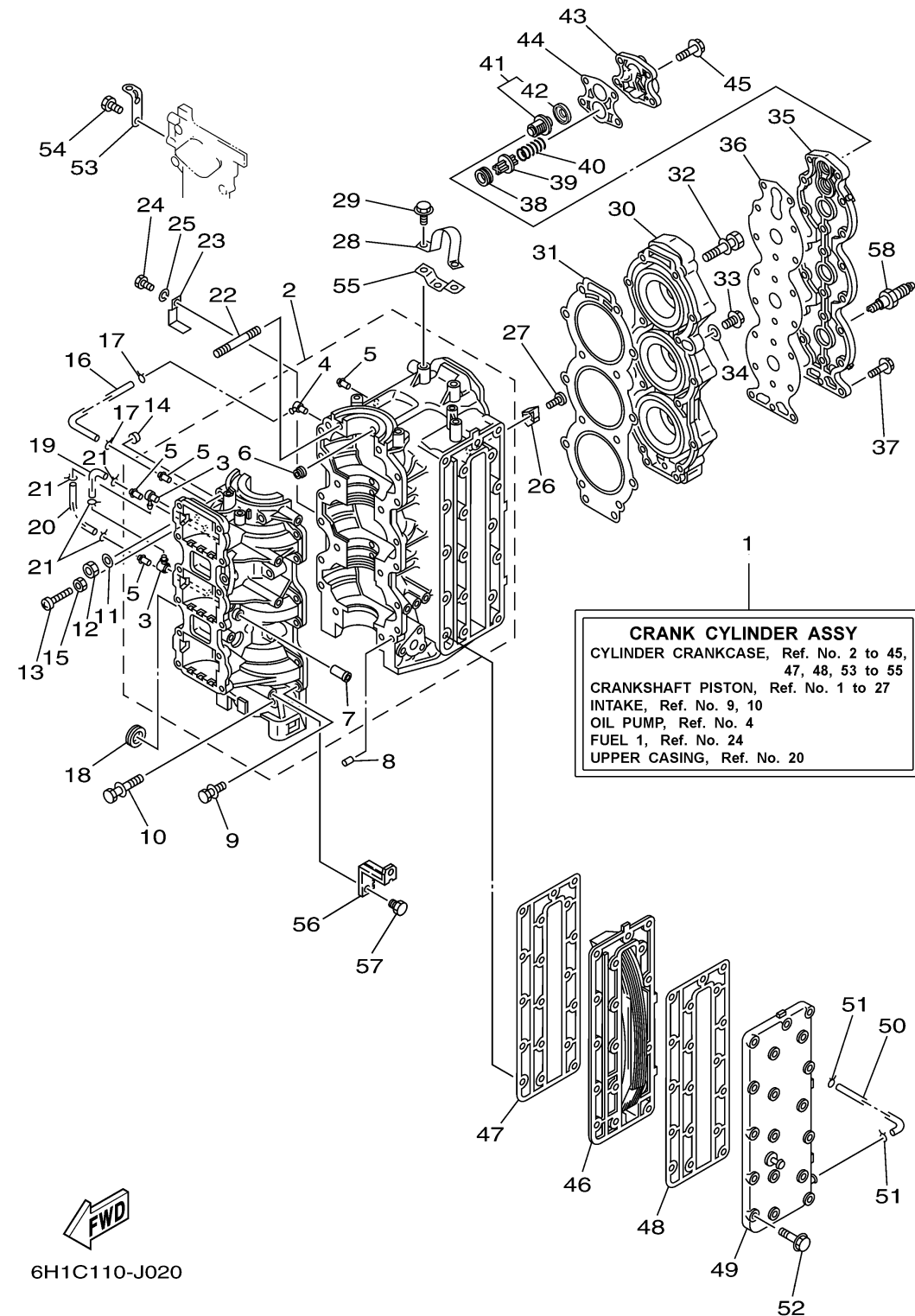


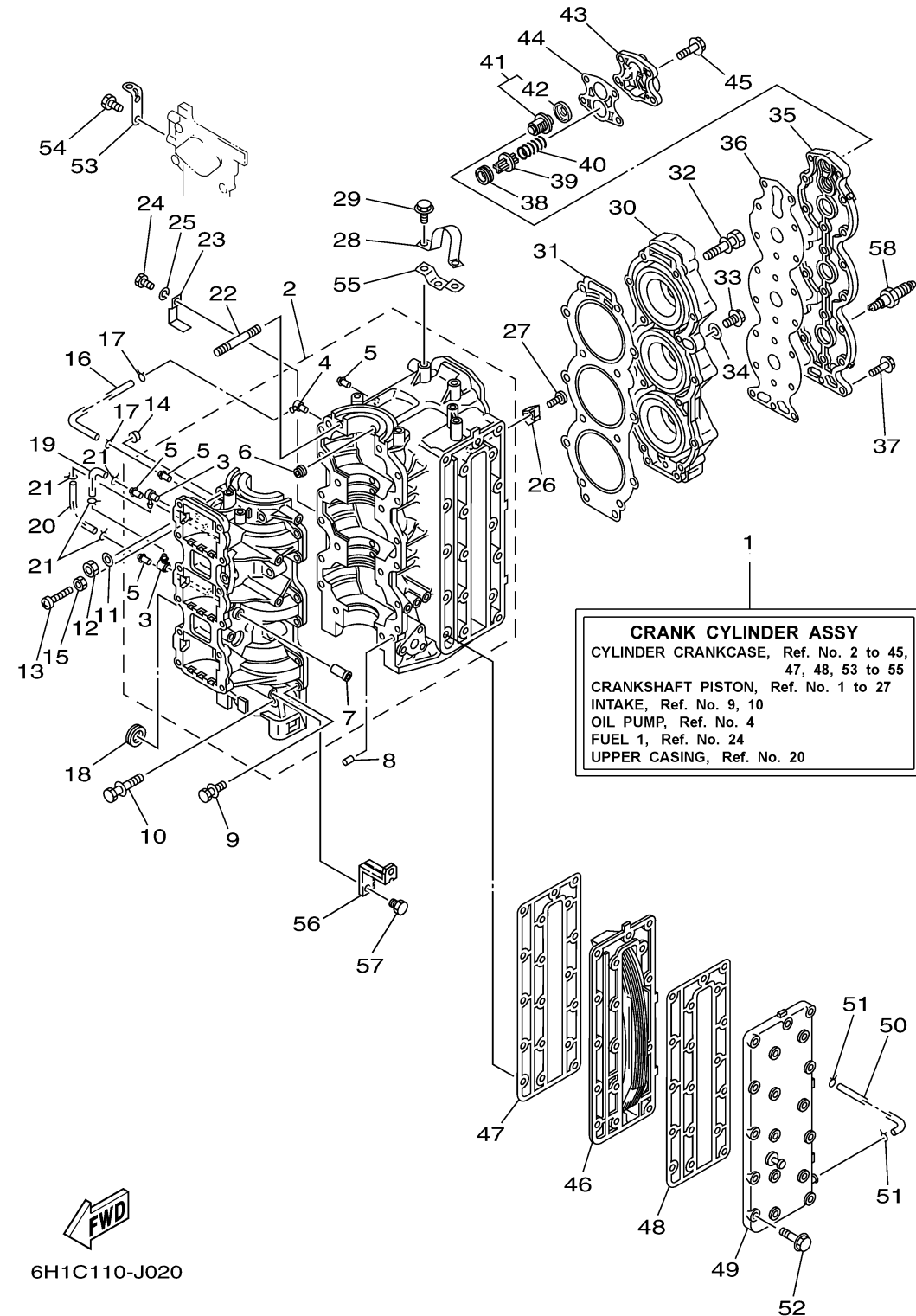
CYLINDER & CRANKCASE



Ref No.	Part Number	Description	Qty	Remarks
1	6H1-W0090-45-1S	CRANK CYLINDER ASSY (O/I)	1	
2	6H1-15100-05-1S	CRANKCASE ASSY	1	
3	688-11370-01-00	. CHECK VALVE ASSY	2	
4	650-11370-01-00	. .CHECK VALVE ASSY	1	
5	624-14485-00-00	. .PIPE, JOINT	4	
6	663-11518-01-00	. .LOCK, BEARING	3	
7	650-24378-00-00	. .PIPE, JOINT 4	1	
8	99530-08012-00	PIN, DOWEL	2	
9	90119-06M12-00	BOLT, WITH WASHER	12	
10	90119-10005-00	BOLT, WITH WASHER	6	
11	90201-10008-00	WASHER, PLATE	2	
12	95313-10600-00	NUT	2	
13	90157-06014-00	SCREW, PAN HEAD	1	
14	688-44194-00-00	CAP	1	
15	95303-06700-00	NUT	1	
16	90445-07260-00	HOSE (L276)	1	
17	90467-06016-00	CLIP	2	
18	90480-24M04-00	GROMMET	1	
19	90445-07M00-00	HOSE (L100)	1	
20	90445-07M23-00	HOSE (L408)	1	

CONTINUED ON NEXT FRAME >

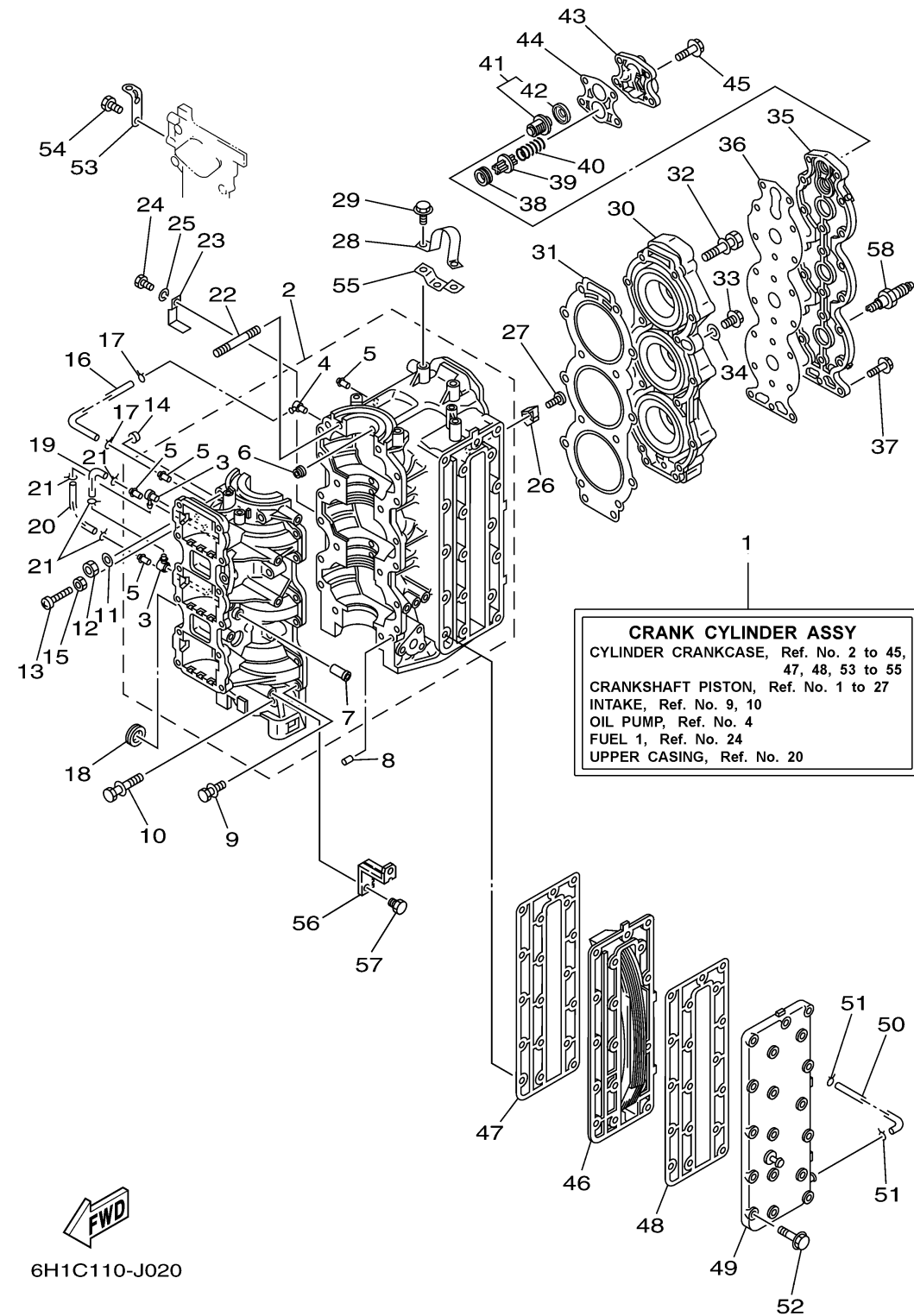
CYLINDER & CRANKCASE



Ref No.	Part Number	Description	Qty	Remarks
21	90467-06016-00	CLIP	4	
22	90116-10M06-00	BOLT, STUD	2	
23	90465-12M03-00	CLAMP	1	
24	97095-06014-00	BOLT	1	
25	92995-06100-00	WASHER, SPRING	1	
26	688-11325-00-00	ANODE	2	
27	98780-04015-00	SCREW, FLAT HEAD	2	
28	688-11119-01-00	HANGER, ENGINE	1	
29	90119-08MA3-00	BOLT, WITH WASHER	2	
30	6H1-11111-01-1S	HEAD, CYLINDER 1	1	
31	688-11181-A2-00	.GASKET, CYLINDER HEAD 1	1	
32	90119-08MA8-00	BOLT, WITH WASHER	14	
33	90340-14M00-00	.PLUG, STRAIGHT SCREW	1	
34	90430-14115-00	.GASKET	1	
35	688-11191-00-1S	COVER, CYLINDER HEAD 1	1	
36	688-11193-A1-00	GASKET, HEAD COVER 1	1	
37	90119-06MA3-00	BOLT, WITH WASHER	18	
38	90480-20M05-00	GROMMET	1	
39	688-12416-00-00	VALVE, PRESSURE CONTROL	1	
40	90501-16M11-00	SPRING, COMPRESSION	1	

CONTINUED ON NEXT FRAME >

CYLINDER & CRANKCASE



Ref No.	Part Number	Description	Qty	Remarks
41	688-12411-11-00	THERMOSTAT	1	
42	688-12412-00-00	.SEAL, THERMOSTAT	1	
43	688-12413-00-1S	COVER, THERMOSTAT	1	
44	688-12414-A1-00	.GASKET, COVER	1	
45	90119-06MA5-00	BOLT, WITH WASHER	4	
46	688-41111-00-1S	INNER COVER, EXHAUST	1	
47	688-41112-A0-00	GASKET, EXHAUST INNER COVER	1	
48	688-41114-A0-00	.GASKET, EXHAUST OUTER COVER	1	
49	6H1-41113-00-1S	OUTER COVER, EXHAUST	1	FLUSHING KIT
50	663-24312-01-00	PIPE 2	1	
51	90467-08004-00	CLIP	2	
52	90119-08020-00	BOLT, WITH WASHER	18	
53	6H1-15772-00-00	STAY 2	1	
54	97095-06012-00	BOLT	2	
55	6H1-15773-01-00	STAY 3	1	
56	6H1-21796-00-00	HINGE	1	
57	97095-08012-00	BOLT	1	
58	NGK-B8HS1-00-00	PLUG, SPARK (NGK B8HS-10)	3	