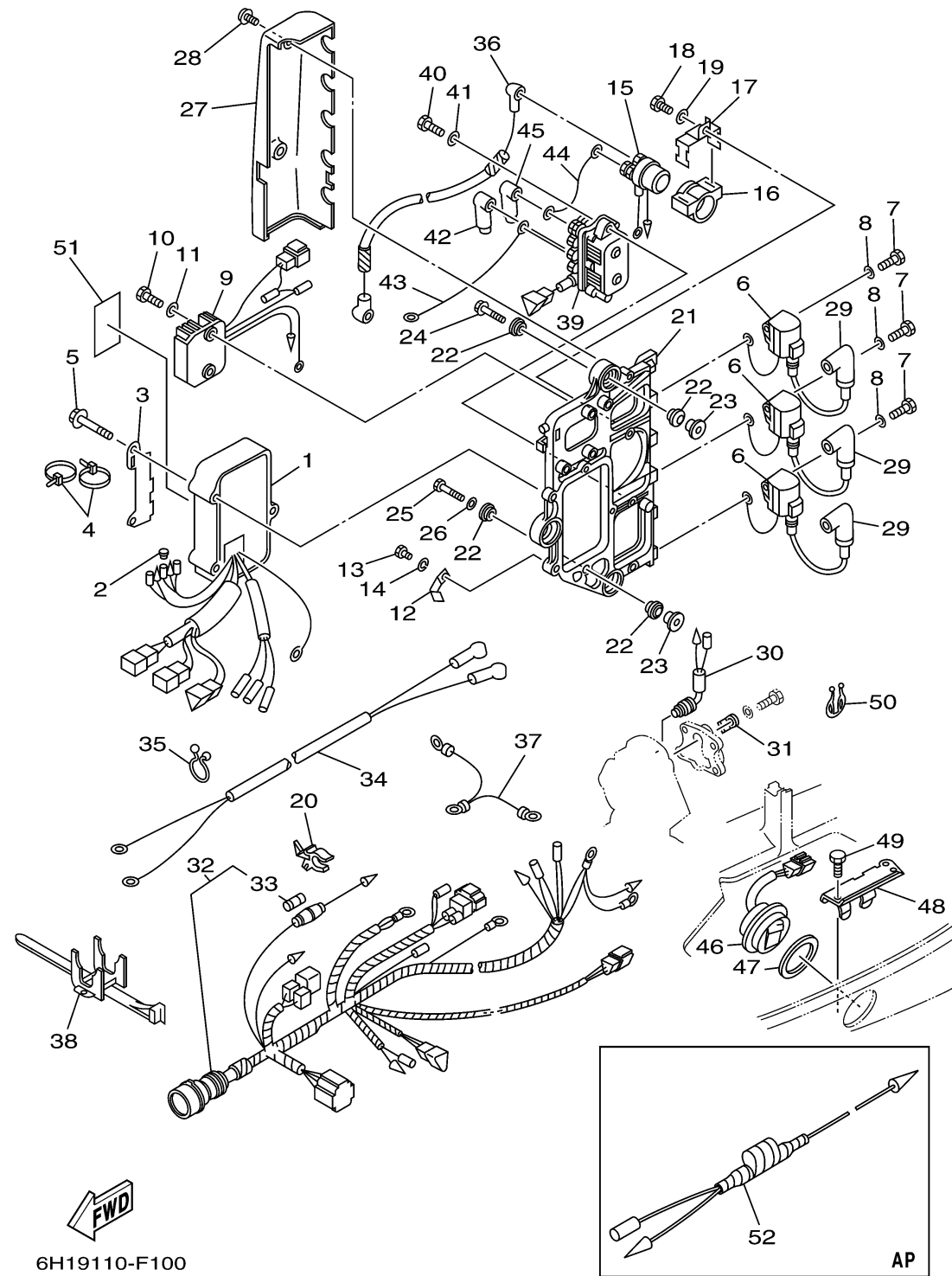


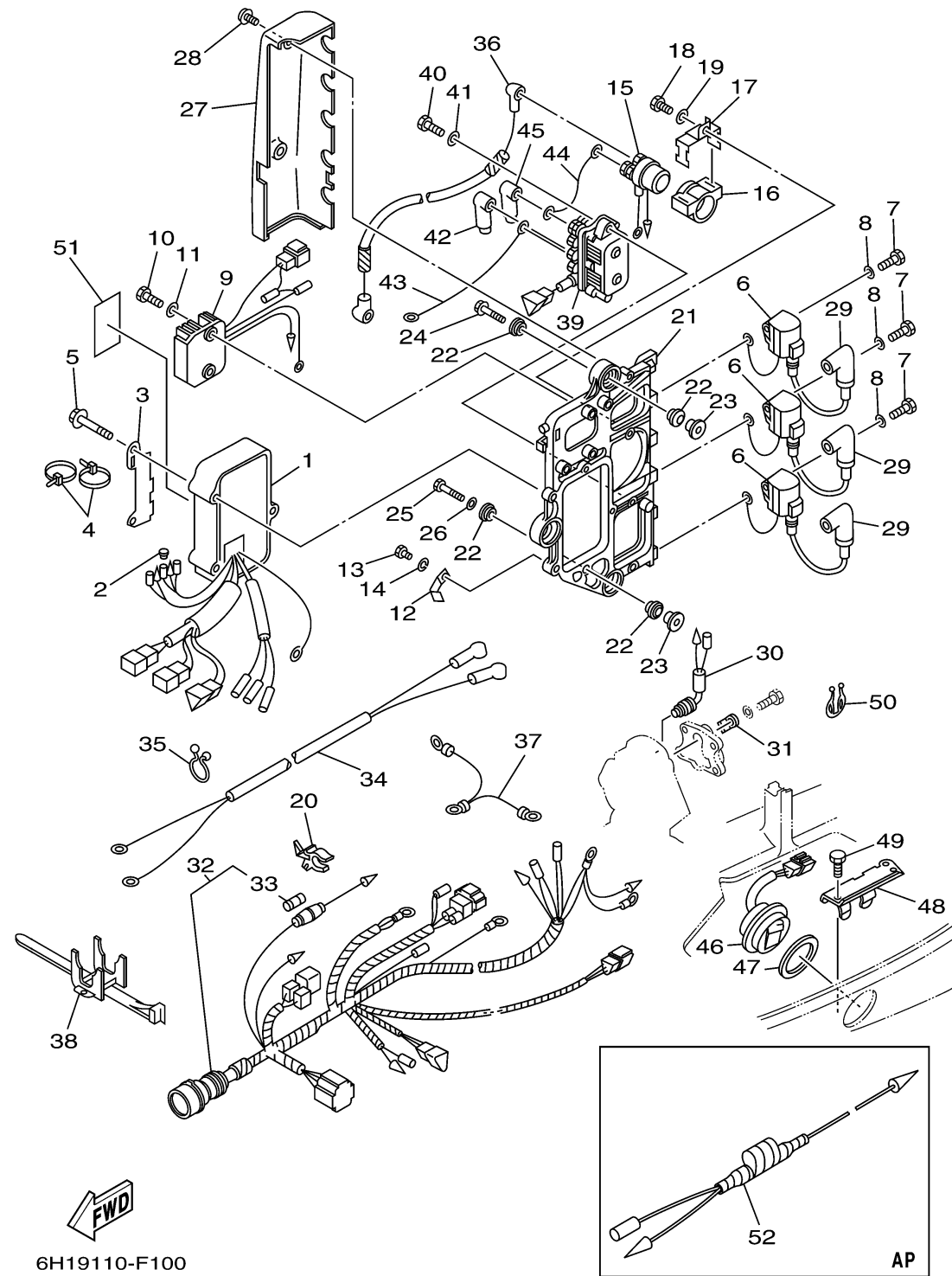
ELECTRICAL



Ref No.	Part Number	Description	Qty	Remarks
1	6H0-85540-07-00	C.D.I. UNIT ASSY	1	
2	703-82119-00-00	COVER, LEAD WIRE	1	
3	6H1-85542-10-00	BRACKET	1	
4	90465-13M11-00	CLAMP	2	
5	97595-06550-00	BOLT, WITH WASHER	3	
6	697-85570-00-00	IGNITION COIL ASSY	3	
7	97013-06020-00	BOLT	3	
8	92903-06600-00	WASHER, PLATE	3	
9	6H0-81960-10-00	RECTIFIER & REGULATOR ASSY	1	
10	97095-06020-00	BOLT	2	
11	92995-06600-00	WASHER	2	
12	90465-08M23-00	CLAMP	1	
13	97095-06012-00	BOLT	1	
14	92995-06100-00	WASHER, SPRING	1	
15	6G1-81941-10-00	STARTER RELAY ASSY	1	
16	6G1-81952-00-00	HOLDER, RELAY	1	
17	6E9-81945-70-00	PLATE, SWITCH FITTING	1	
18	97013-06016-00	BOLT	1	
19	92903-06600-00	WASHER, PLATE	1	
20	6G5-82152-00-00	HOLDER, FUSE	1	

CONTINUED ON NEXT FRAME >

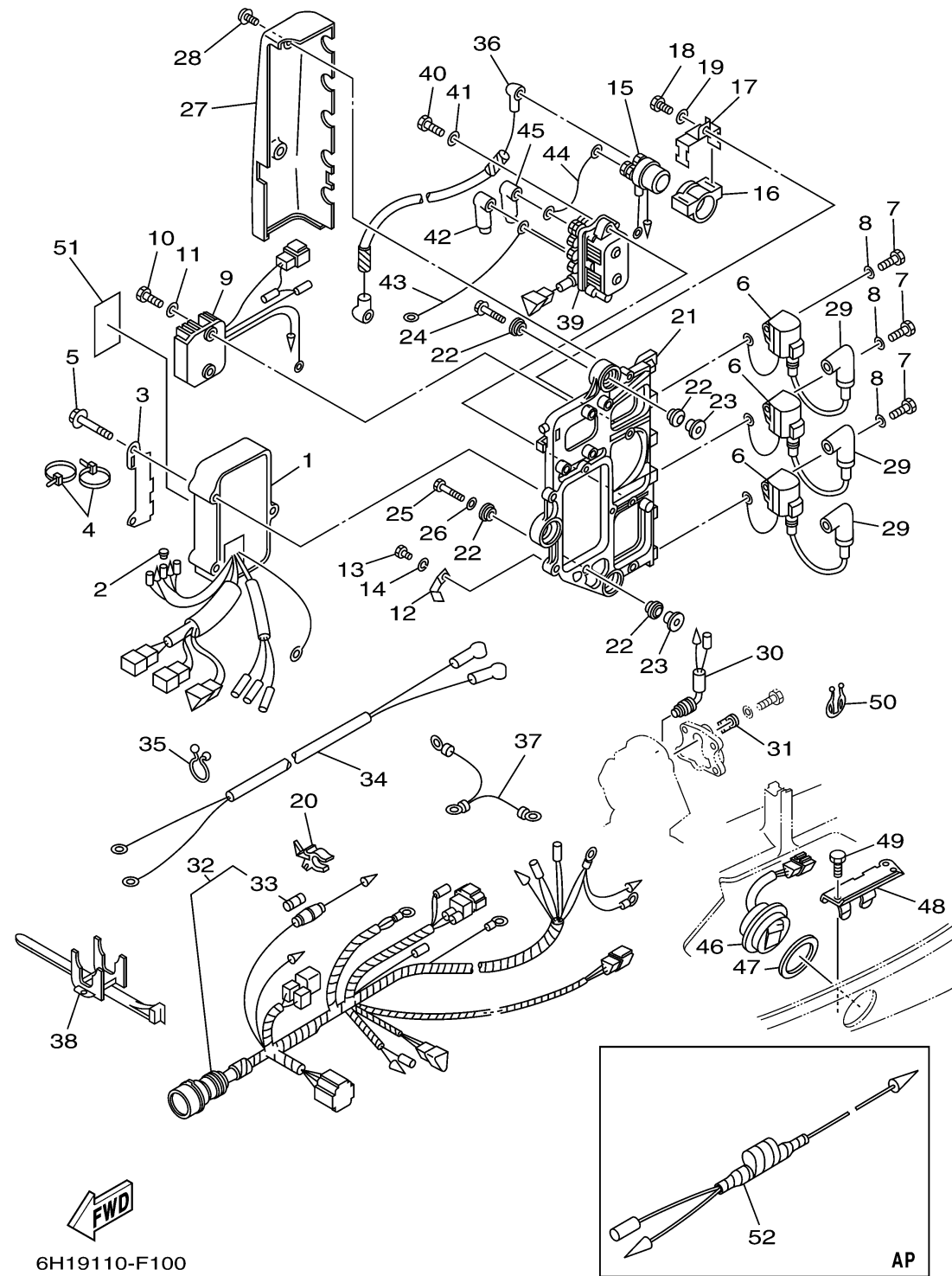
ELECTRICAL



Ref No.	Part Number	Description	Qty	Remarks
21	6H1-85542-00-94	BRACKET	1	
22	90480-09M25-00	GROMMET	6	
23	90387-06M03-00	COLLAR	3	
24	90119-06M75-00	BOLT, WITH WASHER	2	
25	90109-06M39-00	BOLT	1	
26	90201-06M31-00	WASHER, PLATE	1	
27	6H1-81916-00-00	COVER, TERMINAL	1	
28	90159-06M11-00	SCREW, WITH WASHER	2	
29	6E3-82370-21-00	PLUG CAP ASSY	3	
30	688-82560-10-00	THERMO SWITCH ASSY	1	
31	688-82588-01-00	PLATE	1	
32	6H0-82590-80-00	WIRE HARNESS ASSY (10P)	1	
33	663-82151-00-00	. . FUSE (12V-20A)	1	
34	6H0-82105-J1-00	BATTERY CABLE	1	
35	90464-23M22-00	CLAMP	1	
36	6H0-82117-00-00	WIRE, LEAD	1	
37	697-82519-00-00	WIRE, EARTH LEAD	1	
38	688-82594-00-00	CLAMP	1	
39	61A-81950-00-00	RELAY ASSY	1	
40	97095-06025-00	BOLT	2	

CONTINUED ON NEXT FRAME >

ELECTRICAL



6H19110-F100

Ref No.	Part Number	Description	Qty	Remarks
41	92995-06600-00	WASHER	2	
42	682-82119-01-00	COVER, LEAD WIRE	2	
43	6H0-81949-10-00	WIRE, LEAD	1	
44	6H0-81949-01-00	WIRE, LEAD	1	
45	682-82119-01-00	COVER, LEAD WIRE	1	
46	6H1-82563-10-00	TRIM & TILT SWITCH ASSY	1	
47	6E5-82587-00-00	GASKET	1	
48	6H1-83614-00-00	BRACKET	1	
49	97095-06016-00	BOLT	1	
50	90464-18M14-00	CLAMP	1	
51	6R5-85711-60-00	MARK, CAUTION	1	
52	6H4-81315-11-00	LEAD WIRE ASSY	1	AP