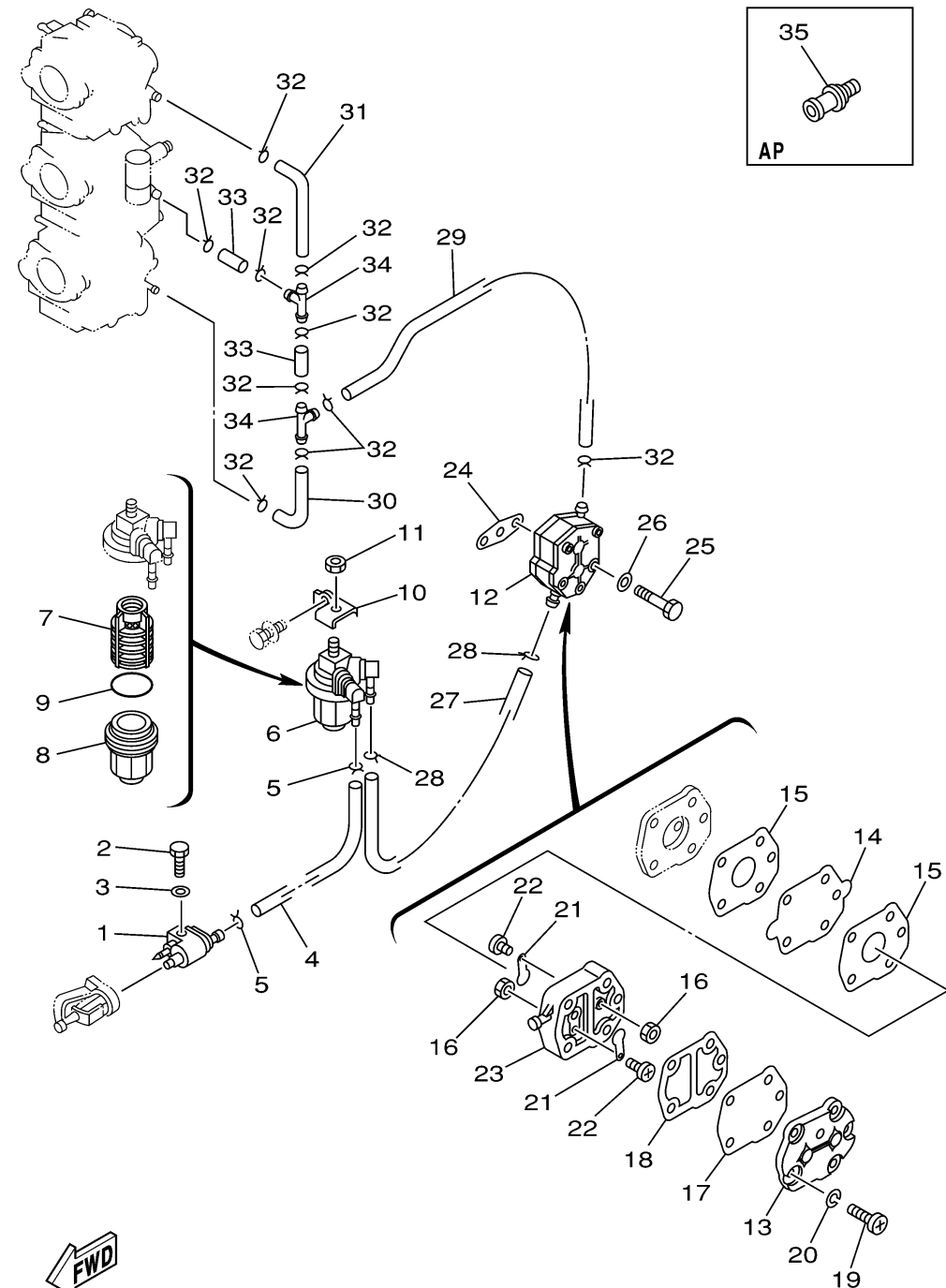


**FWD**  
6H10010-0070

# FUEL 1

Ref No.	Part Number	Description	Qty	Remarks
1	6G1-24304-02-00	FUEL PIPE JOINT COMP. 1	1	
2	97095-06020-00	BOLT	1	
3	92995-06600-00	WASHER	1	
4	90445-09104-00	HOSE (L300)	1	
5	90467-08004-00	CLIP	2	
6	61N-24560-00-00	FILTER ASSY	1	
7	61N-24563-00-00	. ELEMENT, FILTER	1	
8	61N-24521-00-00	. .CUP, FILTER	1	
9	93210-32738-00	. .O-RING	1	
10	6H1-24566-01-00	BRACKET, FILTER	1	
11	95380-08600-00	NUT	1	
12	692-24410-00-00	FUEL PUMP ASSY	1	
13	6A0-24413-00-00	. .BODY 2	1	
14	692-24411-00-00	. .DIAPHRAGM	1	
15	648-24434-01-00	. GASKET, BODY	2	
16	95380-03600-00	. .NUT	2	
17	663-24411-00-00	. DIAPHRAGM	1	
18	648-24435-02-00	. GASKET, BODY 2	1	
19	98503-05028-00	. SCREW, PAN HEAD	3	
20	92990-05100-00	. .WASHER, SPRING	3	

CONTINUED ON NEXT FRAME >



  
 6H10010-0070

# FUEL 1

Ref No.	Part Number	Description	Qty	Remarks
21	6A0-24421-01-00	. .VALVE, CHECK	2	
22	6A0-14325-00-00	. .SCREW, PAN HEAD	2	
23	6A0-24412-02-00	. .BODY 1	1	
24	650-24431-A0-00	GASKET, FUEL PUMP 1	1	
25	97095-06040-00	.BOLT	2	
26	92995-06600-00	WASHER	2	
27	6H1-24314-00-00	PIPE 4	1	
28	90467-08004-00	CLIP	2	
29	90445-09097-00	HOSE (L250)	1	
30	688-24313-00-00	PIPE 3	1	
31	688-24314-00-00	PIPE 4	1	
32	90467-08004-00	CLIP	10	
33	90445-09220-00	HOSE (L30)	2	
34	688-24378-00-00	PIPE, JOINT 3	2	
35	6E0-28193-00-94	PLUG, WATER CHECK	1	AP D:12.5MM