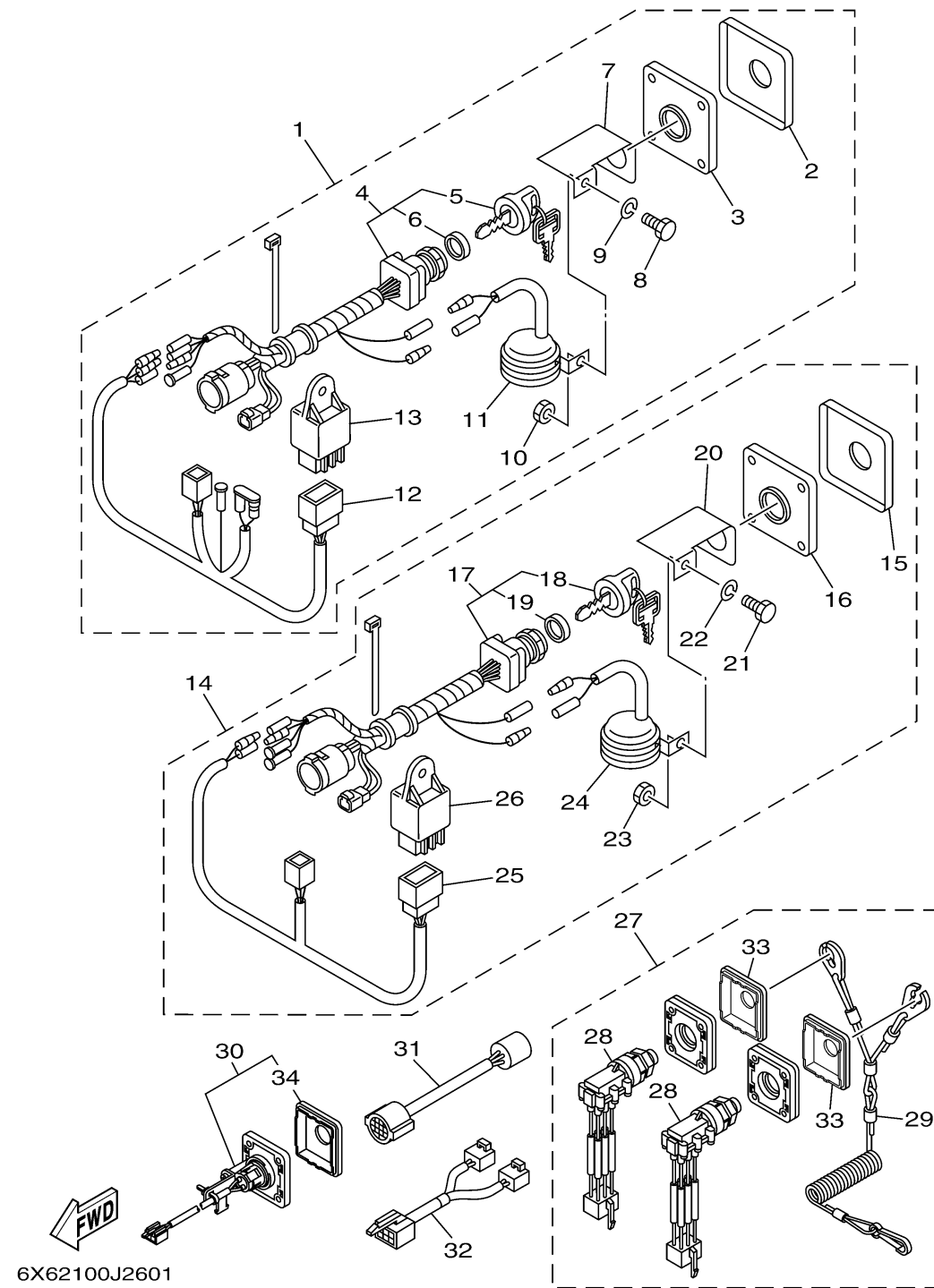


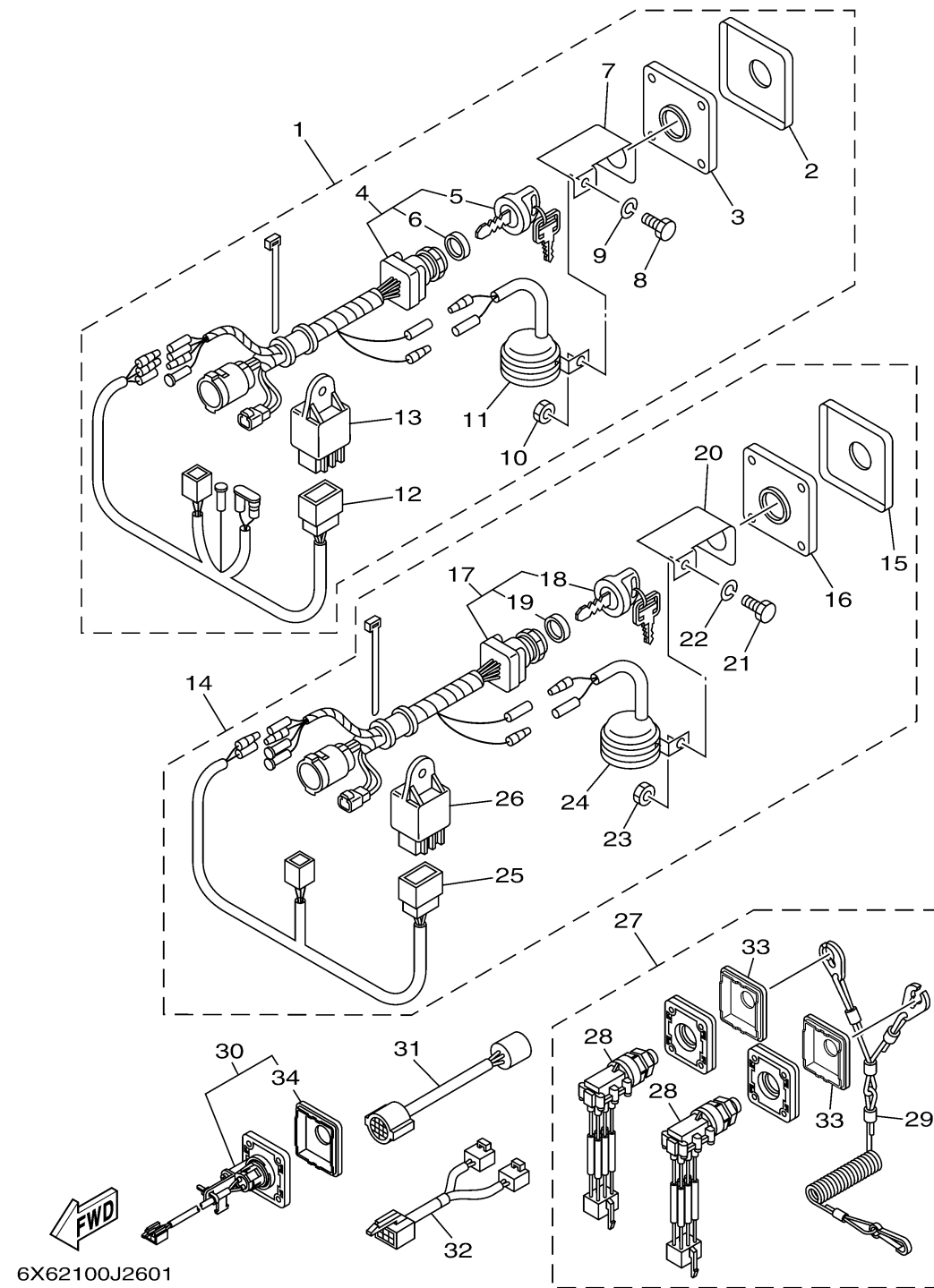
SWITCH PANEL QUAD (MAIN STBD)



Ref No.	Part Number	Description	Qty	Remarks
1	6X6-82570-T0-00	PANEL SWITCH ASSY (FOR C-STBD)	1	1 OR 2 STATION MAIN
2	64D-82571-00-00	..PANEL, SWITCH	1	
3	64D-82588-00-00	..PLATE	1	
4	64D-82510-20-00	..MAIN SWITCH ASSY	1	
5	703-82577-00-00	.. CAP, KEY	1	
6	6K1-82532-00-00	... CAP	1	
7	64D-82581-00-00	..STAY, CORD CLAMP	1	
8	97095-05012-00	.. BOLT	1	
9	92903-05100-00	..WASHER, SPRING	1	
10	95303-05700-00	..NUT	1	
11	688-83383-11-00	..BUZZER	1	
12	6X6-82507-20-00	..WIRE, LEAD	1	
13	68V-81950-00-00	..RELAY ASSY	1	
14	6X6-82570-U0-00	PANEL SWITCH ASSY (FOR STBD)	1	1 OR 2 STATION MAIN
15	64D-82571-00-00	..PANEL, SWITCH	1	
16	64D-82588-00-00	..PLATE	1	
17	64D-82510-20-00	..MAIN SWITCH ASSY	1	
18	703-82577-00-00	.. CAP, KEY	1	
19	6K1-82532-00-00	.. CAP	1	
20	64D-82581-00-00	..STAY, CORD CLAMP	1	

CONTINUED ON NEXT FRAME >

SWITCH PANEL QUAD (MAIN STBD)



Ref No.	Part Number	Description	Qty	Remarks
21	97095-05012-00	. BOLT	1	
22	92903-05100-00	..WASHER, SPRING	1	
23	95303-05700-00	..NUT	1	
24	688-83383-11-00	..BUZZER	1	
25	6X6-82507-30-00	..WIRE, LEAD	1	
26	68V-81950-00-00	..RELAY ASSY	1	
27	6X6-82570-V0-00	PANEL SWITCH ASSY	1	2 STATION MAIN & 2ND HELM
28	6X6-82575-30-00	..ENGINE STOP SWITCH ASSY	2	
29	6X6-82556-00-00	..LANYARD, STOP SWITCH	1	
30	6X6-82570-L0-00	PANEL SWITCH ASSY	1	2 STATION MAIN & 2ND HELM
31	6X6-8258A-L0-00	EXTENSION, WIRE HARNESS	4	
32	6X6-8258A-U0-00	EXTENSION, WIRE HARNESS	2	
33	6X6-82571-50-00	..PANEL, SWITCH	2	
34	6X6-82571-70-00	..PANEL, SWITCH	1	