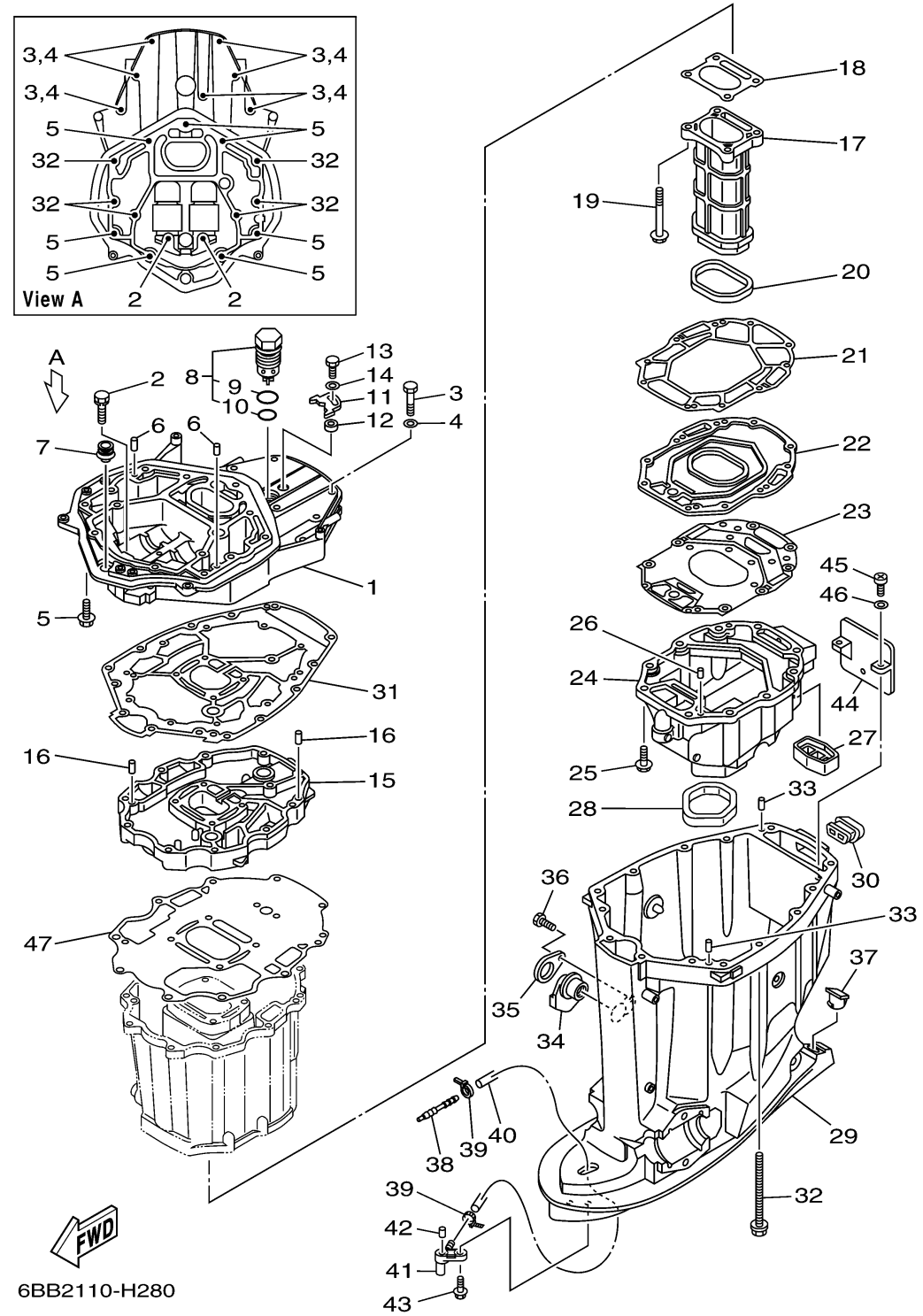


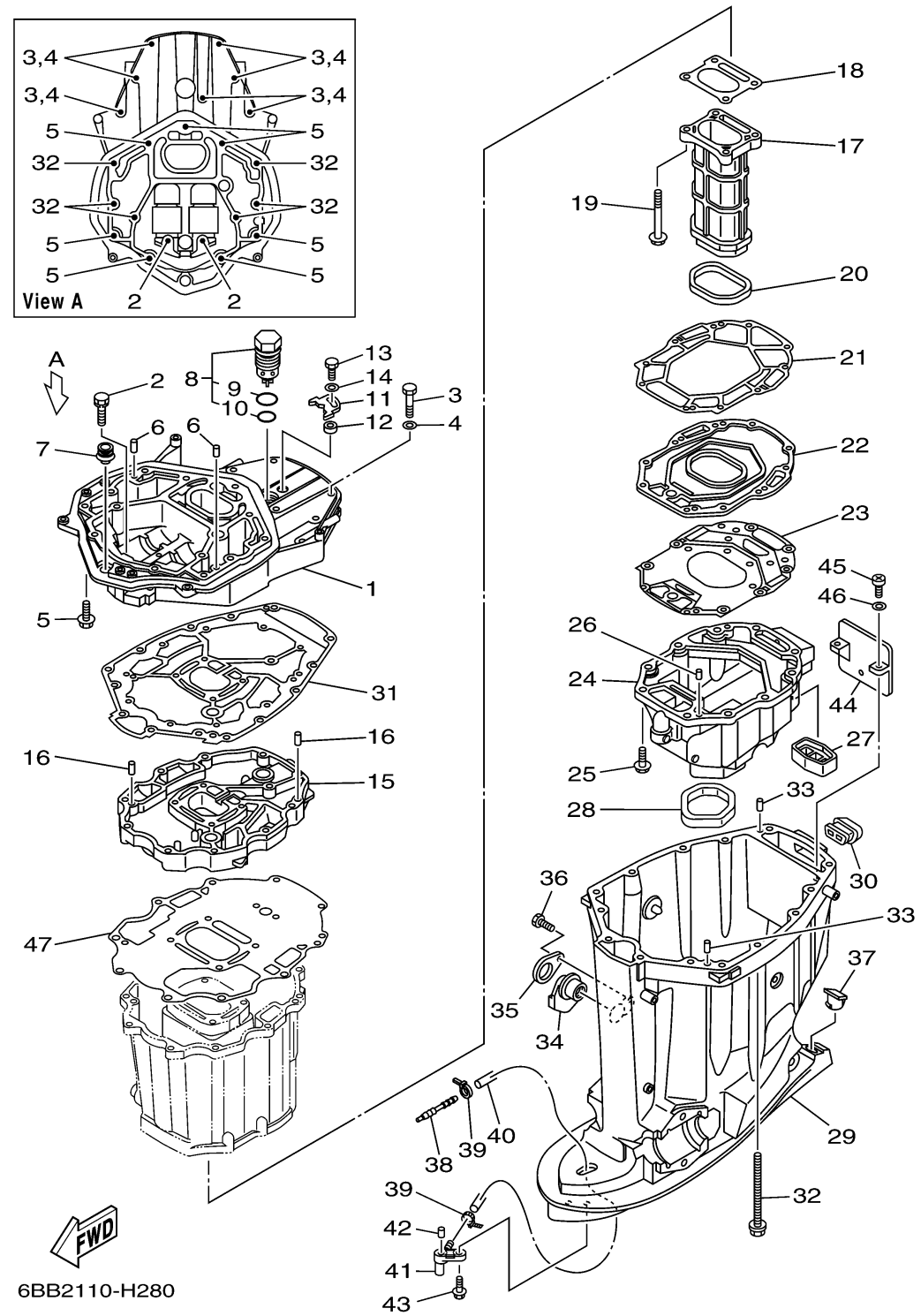
UPPER CASING



Ref No.	Part Number	Description	Qty	Remarks
1	69J-41137-10-CA	GUIDE, EXHAUST	1	
2	90119-08M79-00	BOLT, WITH WASHER	2	
3	97075-10045-00	BOLT	7	
4	92995-10600-00	WASHER	7	
5	97575-10535-00	BOLT, WITH WASHER	7	
6	93608-16M16-00	PIN, DOWEL	2	
7	6E5-42724-00-00	GROMMET	1	
8	6AW-11371-10-00	PRESSURE CONTROL VALVE ASSY	1	
9	93210-347A1-00	. O-RING	1	
10	93210-28543-00	. O-RING	1	
11	69J-12233-00-00	PLATE, GUIDE STOPPER 1	1	
12	90387-06037-00	COLLAR	1	
13	97095-06020-00	BOLT	1	
14	92995-06600-00	WASHER	1	
15	69J-41131-10-CA	MANIFOLD, EXT. 1	1	
16	93608-16M16-00	PIN, DOWEL	2	
17	69J-41132-20-9S	MANIFOLD, EXHAUST	1	
18	6P2-41134-00-00	.GASKET, EXHAUST MANIFOLD	1	
19	97575-08590-00	BOLT, WITH WASHER	4	
20	69J-41138-00-00	.SEAL, EXT. 1	1	

CONTINUED ON NEXT FRAME >

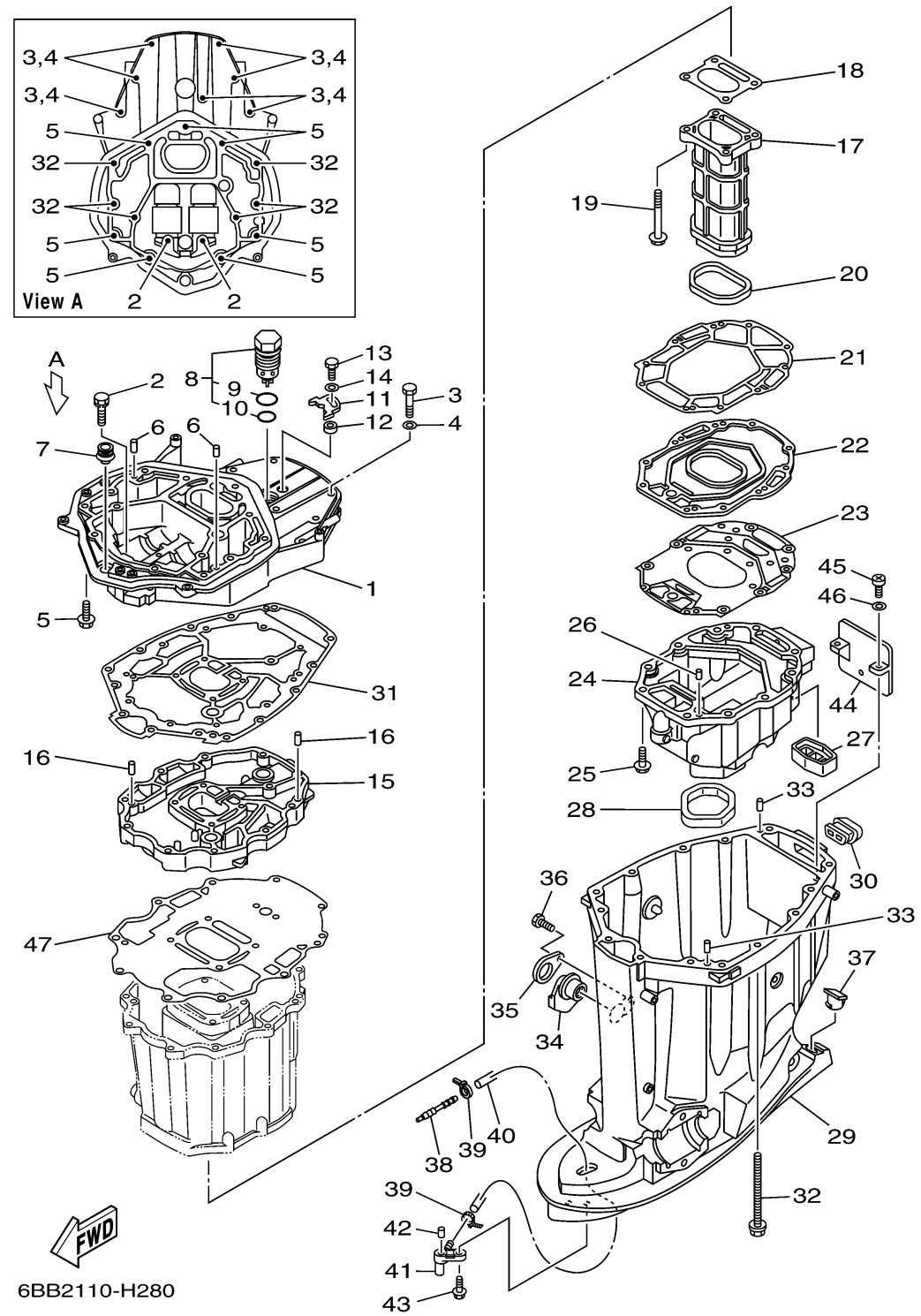
UPPER CASING



Ref No.	Part Number	Description	Qty	Remarks
21	69J-41135-A0-00	.GASKET, EXHAUST MANIFOLD	1	
22	69J-45181-10-9S	PLATE	1	
23	6S1-41136-00-00	.GASKET, EXHAUST MANIFOLD 4	1	
24	6BB-14711-00-9S	MUFFLER 1	1	
25	97575-08535-00	BOLT, WITH WASHER	10	
26	93606-19M23-00	PIN, DOWEL	2	
27	69J-45127-00-00	.SEAL	1	
28	69J-45123-00-00	.GASKET, MUFFLER	1	
29	6BB-45111-00-8D	CASING, UPPER	1	
30	69J-42769-00-00	SEAL, RUBBER	1	
31	69J-45113-20-00	.GASKET, UPPER CASING	1	
32	90119-10007-00	BOLT, WITH WASHER	6	
33	93608-16M16-00	PIN, DOWEL	2	
34	6BB-15316-00-00	DAMPER 1	1	
35	6BB-45152-01-8D	COVER, UPPER CASING 2	1	
36	90101-06055-00	BOLT	1	
37	61A-45155-00-00	CAP	1	
38	6E5-83558-00-00	END, NIPPLE	1	
39	90465-11M10-00	CLAMP	2	
40	90445-07ME0-00	HOSE (L1220)	1	

CONTINUED ON NEXT FRAME >

UPPER CASING



Ref No.	Part Number	Description	Qty	Remarks
41	66K-45378-00-00	NIPPLE, HOSE	1	
42	93606-12019-00	PIN, DOWEL	1	
43	90119-06M17-00	BOLT, WITH WASHER	1	
44	69J-14624-01-00	COVER, EXHAUST	1	
45	97880-06016-00	SCREW, PAN HEAD	2	
46	92990-06600-00	WASHER, PLATE	2	
47	69J-15312-01-00	.GASKET, OIL PAN	1	