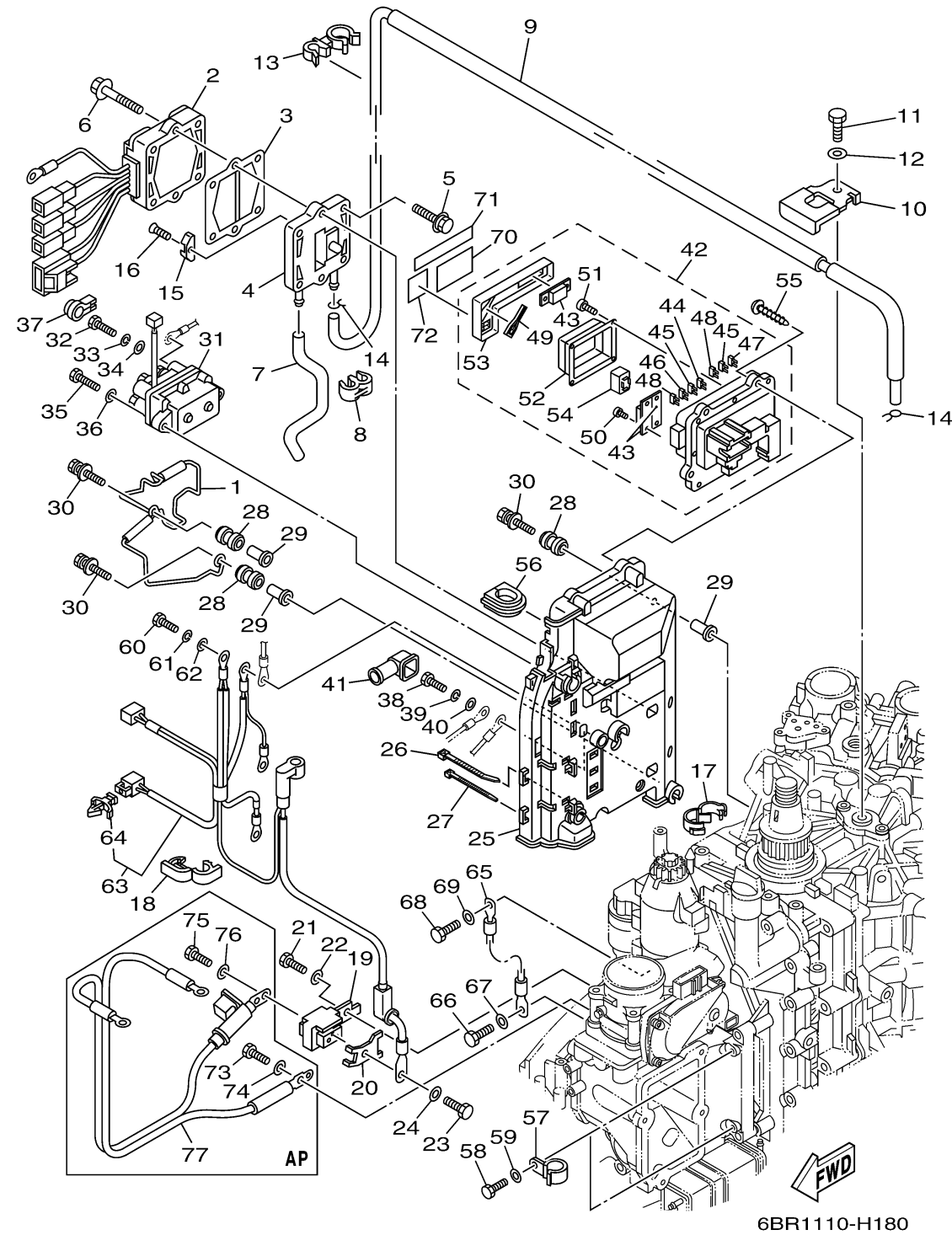


## ELECTRICAL 2

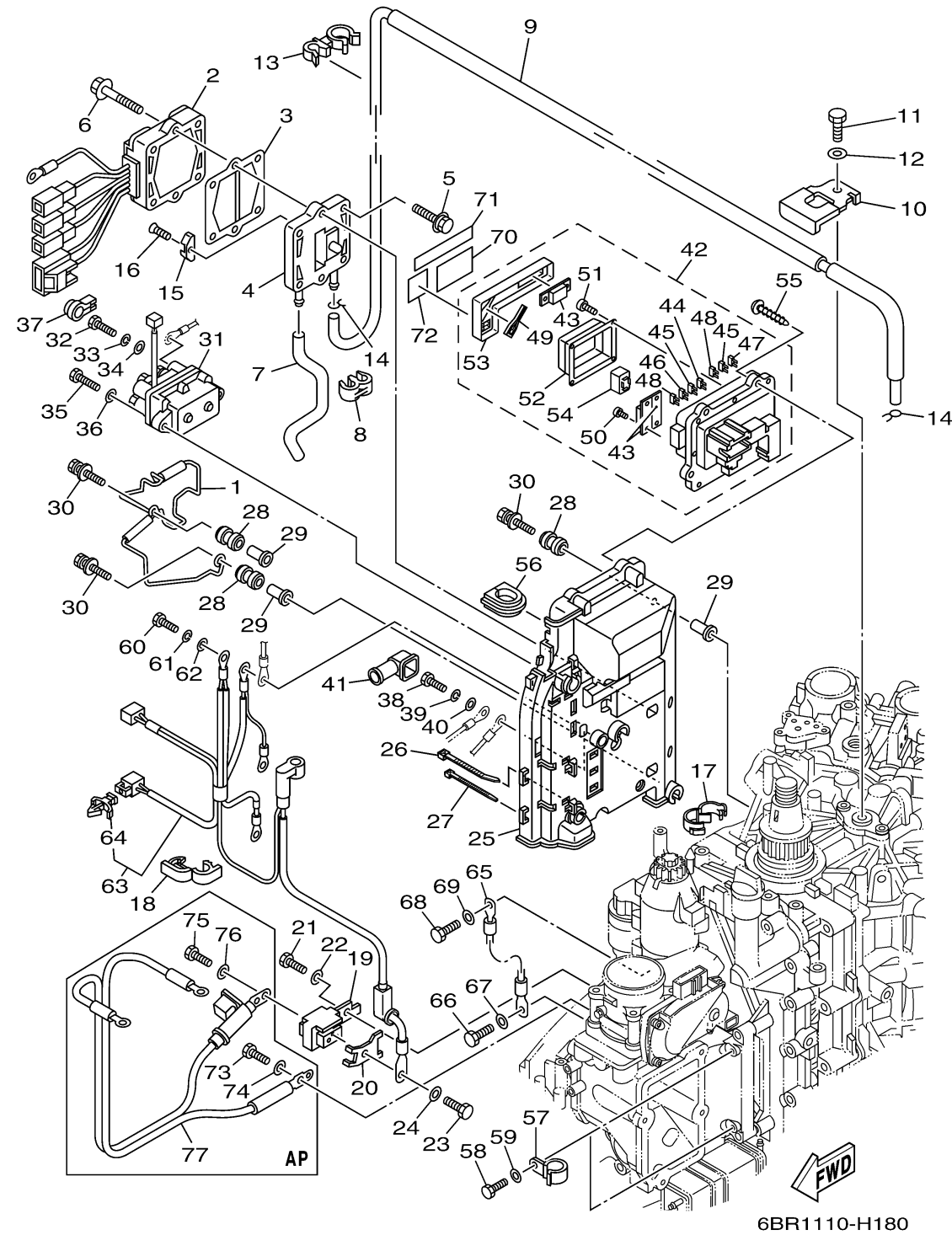


6BR1110-H180

Ref No.	Part Number	Description	Qty	Remarks
1	6P2-81614-00-00	PROTECTOR	1	
2	6P2-81960-02-00	RECTIFIER & REGULATOR ASSY	1	
3	60V-81975-A0-00	PLATE, RECTIFIER FITTING	1	
4	6P2-81972-00-9S	COVER, RECTIFIER	1	
5	90119-06MA3-00	BOLT, WITH WASHER	4	
6	90119-06MA5-00	BOLT, WITH WASHER	2	
7	90445-09034-00	HOSE	1	
8	90464-09M21-00	CLAMP	1	
9	6P2-12481-00-00	PIPE 1	1	
10	6P2-12491-00-00	CLAMP 1	1	
11	97095-06012-00	BOLT	1	
12	92995-06600-00	WASHER	1	
13	90464-21002-00	CLAMP	2	
14	90467-08M18-00	CLIP	2	
15	6E5-11325-00-00	ANODE	1	
16	98780-04015-00	SCREW, FLAT HEAD	1	
17	90464-25005-00	CLAMP	1	
18	90464-18004-00	CLAMP	8	
19	6BR-81925-00-00	TERMINAL	1	
20	6BR-81218-00-00	TERMINAL	1	

CONTINUED ON NEXT FRAME >

## ELECTRICAL 2

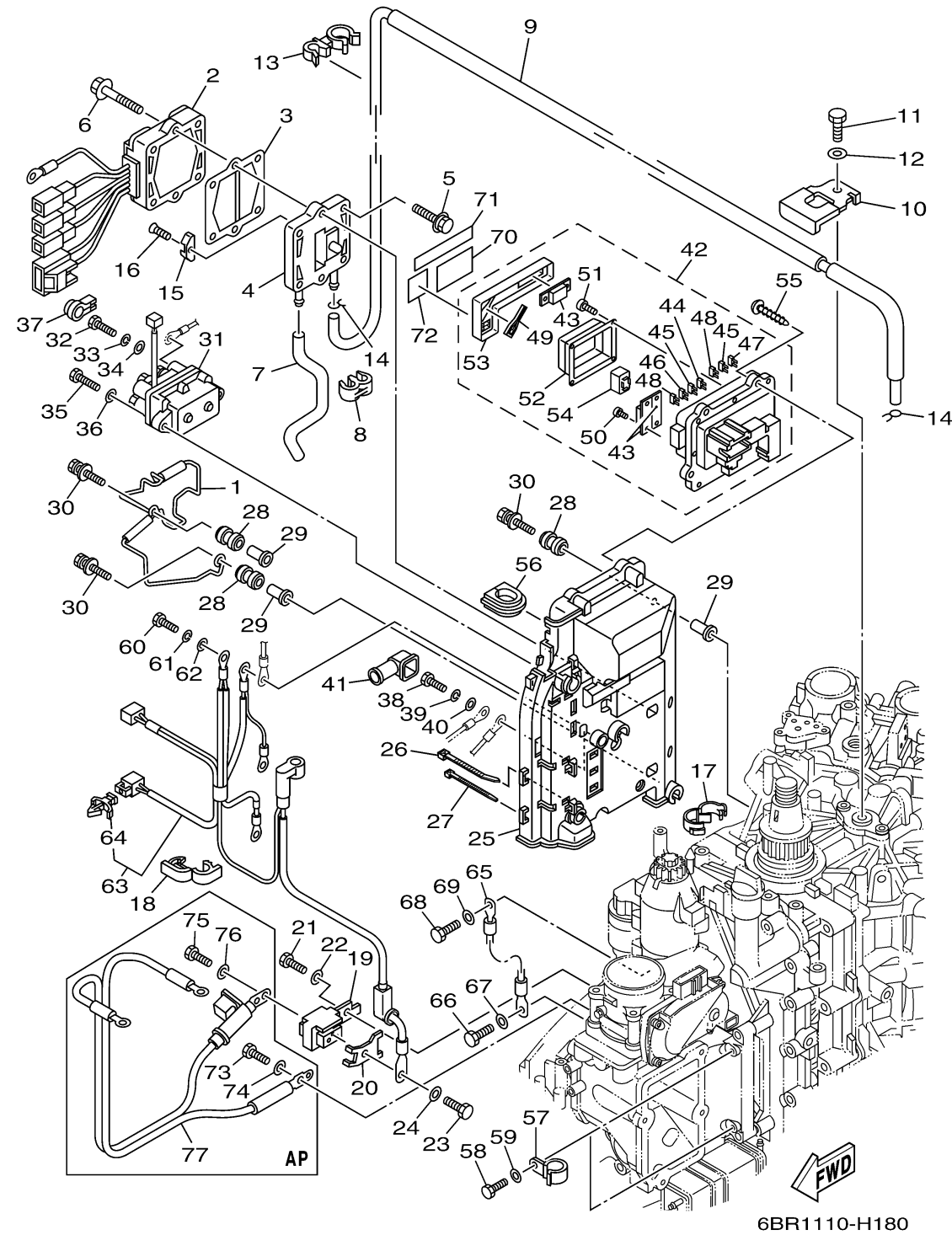


6BR1110-H180

Ref No.	Part Number	Description	Qty	Remarks
21	97095-08020-00	BOLT	1	
22	92995-08600-00	WASHER	1	
23	97095-06016-00	BOLT	1	
24	92995-06600-00	WASHER	1	
25	6P2-81948-00-00	BRACKET	1	
26	90465-13M18-00	CLAMP	5	
27	90465-14M66-00	CLAMP	3	
28	6A0-82317-00-00	DAMPER, IGNITION COIL	5	
29	90387-06119-00	COLLAR	5	
30	90119-06M95-00	BOLT, WITH WASHER	5	
31	6AW-81950-00-00	RELAY ASSY	1	
32	97095-06010-00	BOLT	2	
33	92995-06100-00	WASHER, SPRING	2	
34	92995-06600-00	WASHER	2	
35	97013-06025-00	BOLT	2	
36	92903-06600-00	WASHER, PLATE	2	
37	6P2-8183X-00-00	CAP, TERMINAL	2	
38	97095-06020-00	BOLT	1	
39	92995-06100-00	WASHER, SPRING	1	
40	92995-06600-00	WASHER	1	

CONTINUED ON NEXT FRAME >

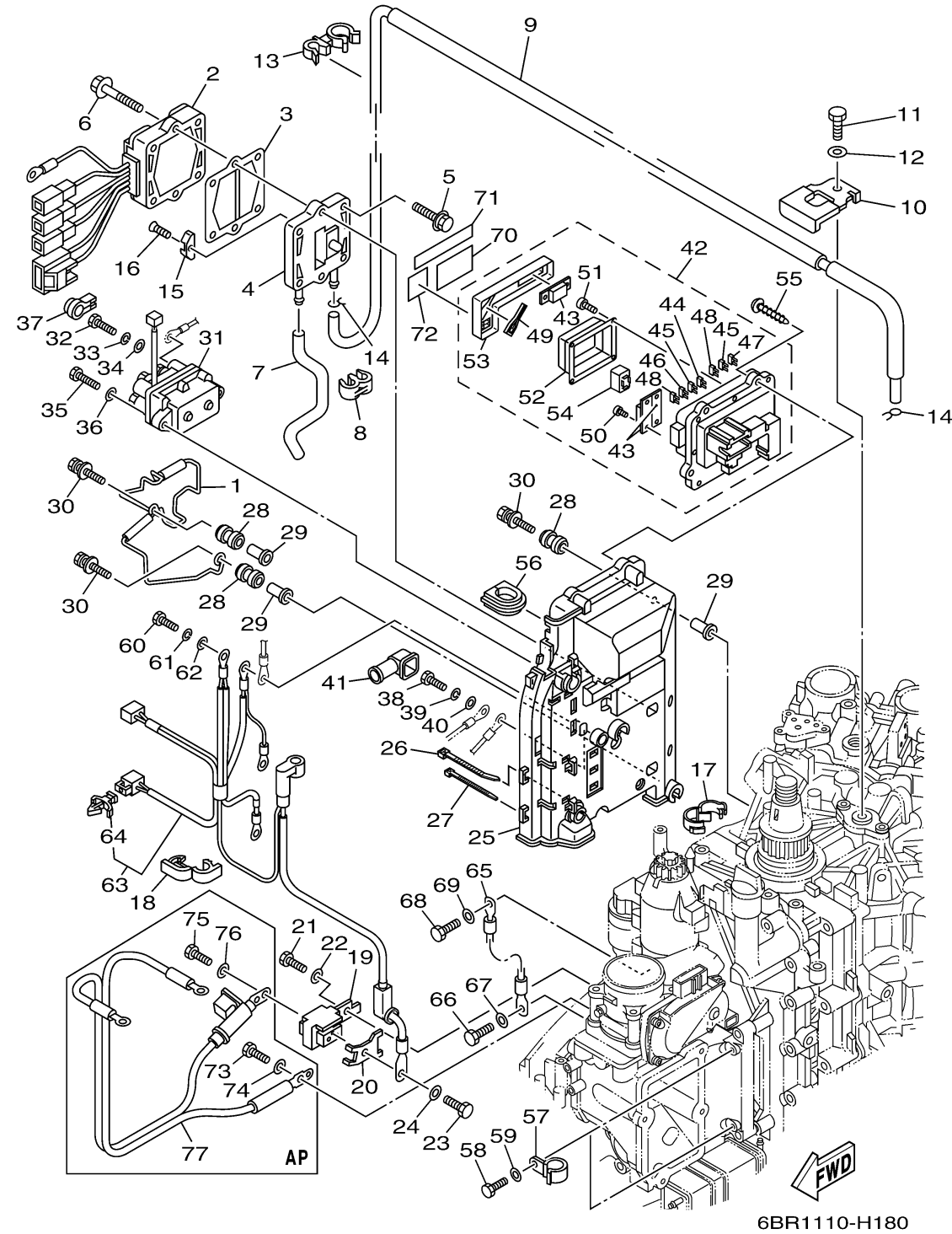
## ELECTRICAL 2



Ref No.	Part Number	Description	Qty	Remarks
41	6P2-82119-00-00	COVER, LEAD WIRE	1	
42	6BR-82170-00-00	FUSE BOX ASSY	1	
43	6P2-82151-00-00	..FUSE (60A)	3	
44	67F-82151-00-00	..FUSE (20A)	2	
45	67F-82151-10-00	..FUSE (30A)	3	
46	67F-82151-20-00	..FUSE (5A)	2	
47	67F-82151-40-00	..FUSE (10A)	2	
48	67F-82151-50-00	..FUSE (15A)	3	
49	67F-2812A-00-00	..PULLER, FUSE	1	
50	68F-82846-00-00	..SCREW, PAN HEAD (M5)	4	
51	6P2-82113-00-00	..SCREW	4	
52	6P2-81639-00-00	..RELAY COVER	1	
53	6P2-85544-00-00	..CASE	1	
54	68F-8195A-00-00	..RELAY ASSY	5	
55	97780-50620-00	SCREW, TAPPING	4	
56	6P2-81336-00-00	GROMMET	1	
57	90462-08026-00	CLAMP	2	
58	97095-06016-00	BOLT	2	
59	92995-06600-00	WASHER	2	
60	97095-06020-00	BOLT	3	

CONTINUED ON NEXT FRAME >

## ELECTRICAL 2



Ref No.	Part Number	Description	Qty	Remarks
61	92995-06100-00	WASHER, SPRING	3	
62	92995-06600-00	WASHER	3	
63	6BR-8259M-00-00	WIRE HARNESS ASSY 2	1	
64	90464-09M47-00	. CLAMP	1	
65	6BR-82117-00-00	WIRE, LEAD	1	
66	97095-06016-00	BOLT	1	
67	92995-06600-00	WASHER	1	
68	97095-08020-00	BOLT	1	
69	92995-08600-00	WASHER	1	
70	6BR-81919-10-00	GRAPHIC, REGULATOR	1	
71	6BR-81919-20-00	GRAPHIC, REGULATOR	1	
72	6P2-81919-31-00	GRAPHIC, REGULATOR	1	
73	97095-08016-00	BOLT	1	AP
74	92995-08600-00	WASHER	1	AP
75	97095-06016-00	BOLT	2	AP
76	92995-06600-00	WASHER	2	AP
77	6BR-82105-00-00	BATTERY CABLE	1	AP