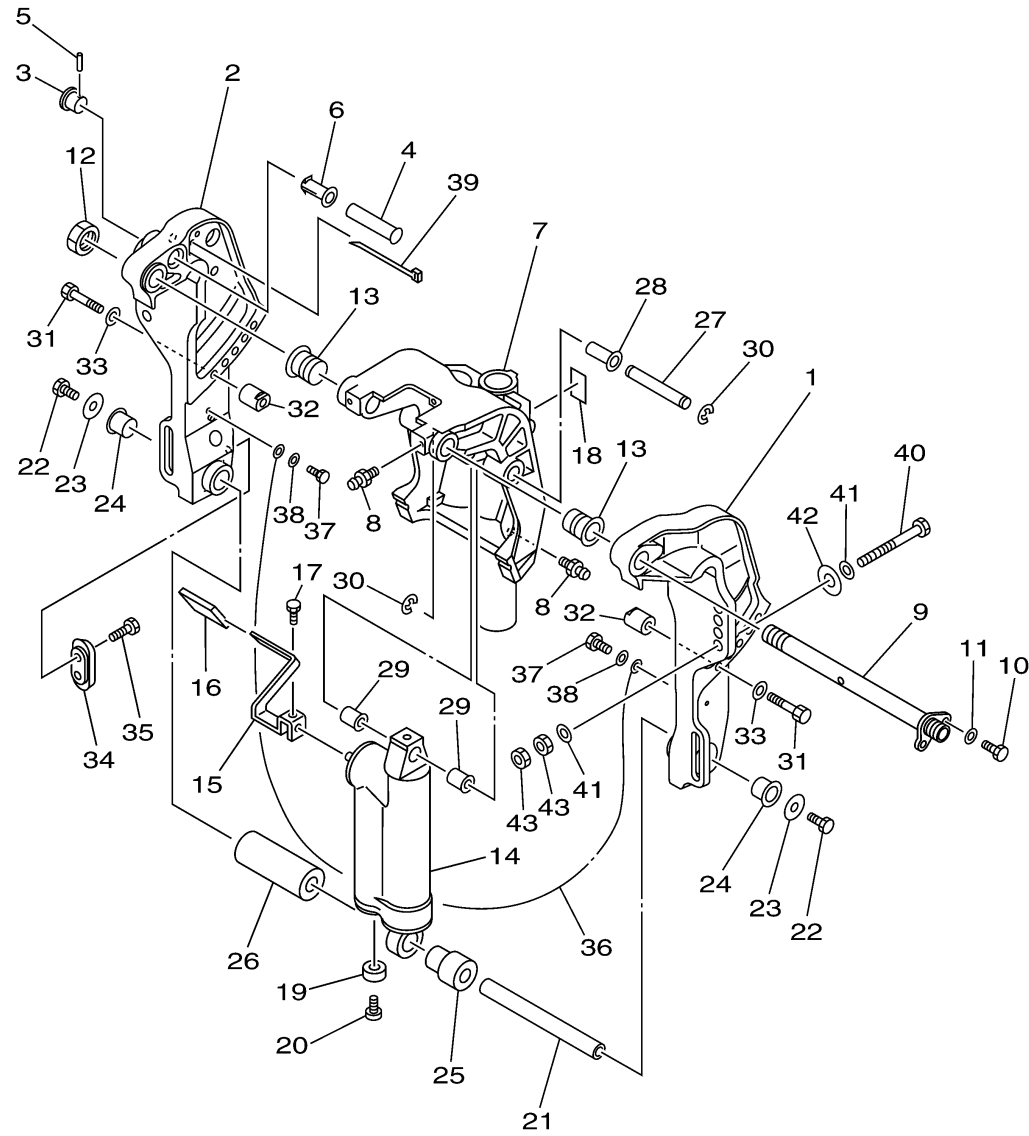


# BRACKET 3

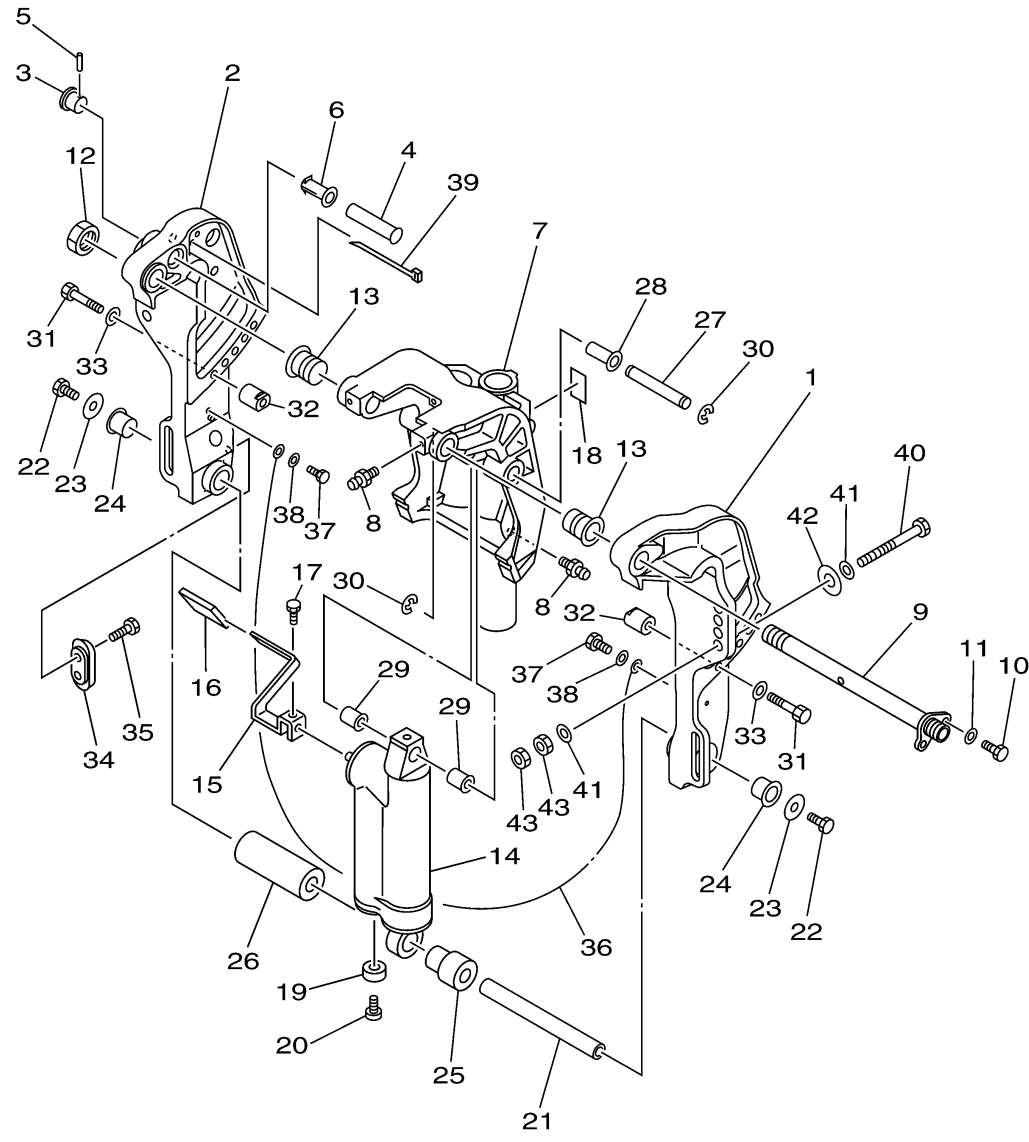


Ref No.	Part Number	Description	Qty	Remarks
1	6J8-42528-00-00	PLATE, FRICTION	1	
2	689-43373-01-00	SEAL, DAMPER	1	
3	90105-06M18-00	BOLT, FLANGE	1	
4	90465-11M10-00	CLAMP	1	
5	6K9-43139-01-00	CAM, TRIM SENDER	1	
6	97780-60525-00	SCREW, TAPPING	1	
7	90465-11M10-00	CLAMP	2	EXCEPT JET-DRIVE
8	67H-83672-01-00	TRIM SENDER	1	
9	97885-06016-00	SCREW, PAN HEAD	2	
10	6E5-83558-00-00	END, NIPPLE	1	EXCEPT JET-DRIVE
11	6BG-44385-10-00	HOSE, WATER 1	1	EXCEPT JET-DRIVE
12	90447-19014-00	TUBE	1	
13	90465-13M18-00	CLAMP	2	
14	6BG-42510-00-8D	STEERING BRACKET ASSY	0	S(16.1")
14	6BG-42510-10-8D	STEERING BRACKET ASSY	1	L(21.0")
15	90116-10M28-00	BOLT, STUD	2	
16	90185-10051-00	NUT, SELF-LOCKING	2	
17	67C-44514-10-8D	MOUNT DAMPER, UPPER SIDE	1	L(21.0")
17	67C-44514-00-8D	MOUNT DAMPER, UPPER SIDE	0	S(16.1")
18	90101-08M15-00	BOLT	2	

CONTINUED ON NEXT FRAME >

  
6BG1110-H270

# BRACKET 3



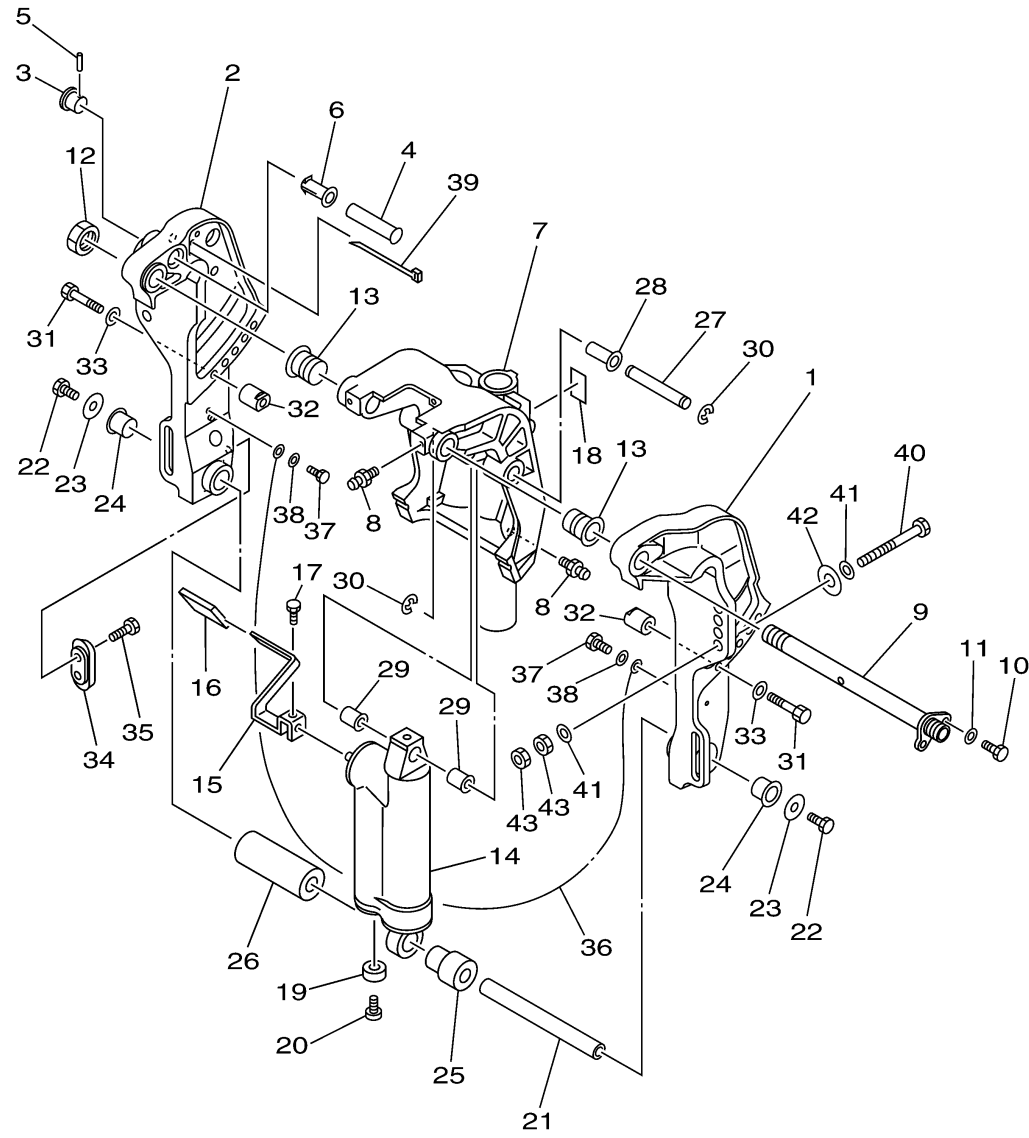
**FWD**  
6BG1110-H270

Ref No.	Part Number	Description	Qty	Remarks
19	66T-44526-30-00	PLATE	1	
20	90185-08045-00	NUT, SELF-LOCKING	2	
21	97075-08030-00	BOLT	3	
22	92995-08600-00	WASHER	3	
23	67C-44551-10-8D	HOUSING, LOWER MOUNT RUBBER	1	L(21.0")
23	67C-44551-01-8D	HOUSING, LOWER MOUNT RUBBER	0	S(16.1")
24	69W-44575-00-00	DAMPER, LOWER MOUNT RUBBER	2	
25	67C-44553-00-8D	COVER, LOWER MOUNT	1	EXCEPT JET-DRIVE
26	97095-08020-00	BOLT	2	EXCEPT JET-DRIVE
27	92995-08600-00	WASHER	2	EXCEPT JET-DRIVE
28	6C5-44552-00-8D	HOUSING, LOWER MOUNT RUBBER	2	
29	90119-08131-00	BOLT, WITH WASHER	4	
30	67C-44555-11-94	MOUNT DAMPER, LOWER SIDE	2	L(21.0")
30	67C-44555-21-94	MOUNT DAMPER, LOWER SIDE	0	S(16.1")
31	90109-12MA3-00	BOLT	2	
32	95380-12700-00	NUT	2	
33	90201-12M16-00	WASHER, PLATE	4	
34	90202-21100-00	WASHER, PLATE	2	
35	90201-13M19-00	WASHER, PLATE	2	
36	90201-22M05-00	WASHER, PLATE	2	

CONTINUED ON NEXT FRAME >

# BRACKET 3

Ref No.	Part Number	Description	Qty	Remarks
37	93410-28M06-00	CIRCLIP	1	
38	67C-82127-10-00	WIRE, LEAD 2	1	L(21.0")
38	67C-82127-00-00	WIRE, LEAD 2	0	S(16.1")
39	97885-06008-00	SCREW, PAN HEAD	1	
40	90201-30M00-00	WASHER, PLATE	1	
41	90386-30M78-00	BUSH	1	
42	90386-30M77-00	BUSH	2	
43	93210-29M94-00	O-RING	2	
44	90386-30M60-00	BUSH	1	
45	65W-48511-10-00	HOOK, STEERING	1	
46	90201-10120-00	WASHER, PLATE	2	



6BG1110-H270