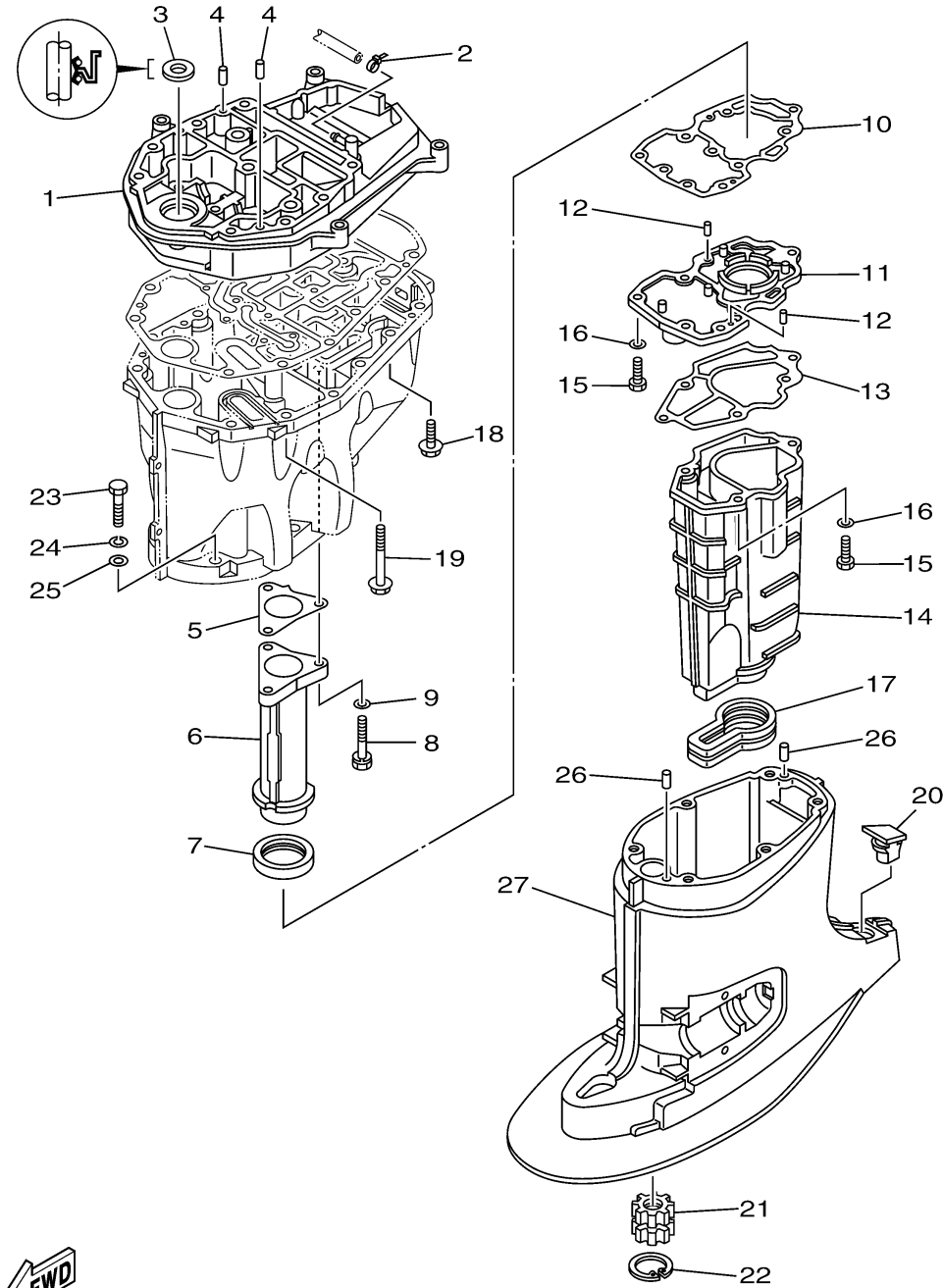


# UPPER CASING

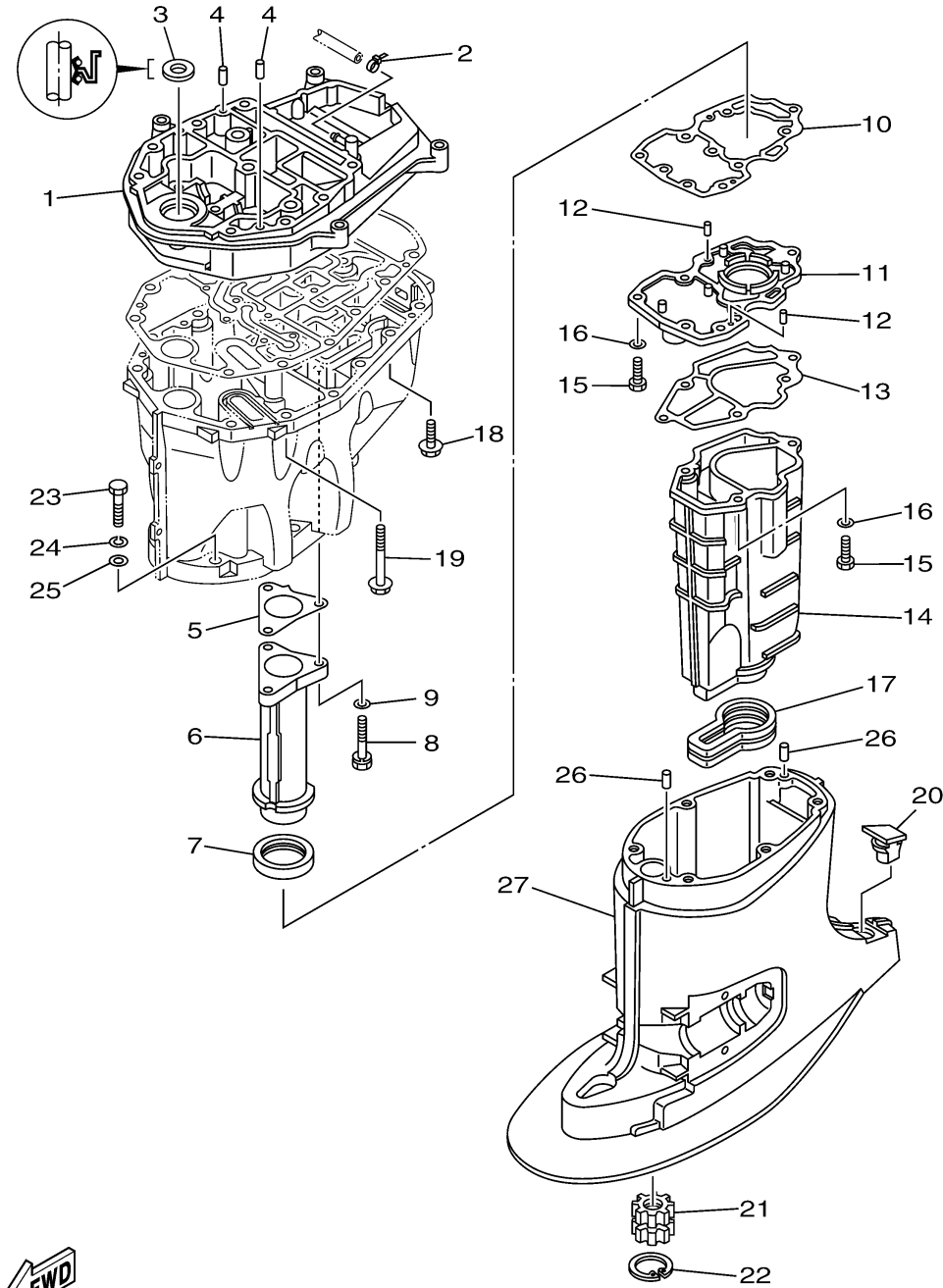


Ref No.	Part Number	Description	Qty	Remarks
1	6C5-41137-00-CA	GUIDE, EXHAUST	1	
2	90465-11M10-00	CLAMP	1	
3	93103-18011-00	.OIL SEAL	1	
4	93608-12M05-00	PIN, DOWEL	2	
5	6C5-41133-00-00	.GASKET, EXHAUST MANIFOLD 1	1	
6	6C5-41131-00-CA	MANIFOLD, EXT. 1	1	
7	6C5-46132-00-00	.GASKET 1	1	
8	90119-06120-00	BOLT, WITH WASHER	3	
9	90201-06015-00	WASHER, PLATE	3	
10	6C5-41134-00-00	.GASKET, EXHAUST MANIFOLD	1	
11	6C5-45181-00-CA	PLATE	1	
12	93604-10M03-00	.PIN, DOWEL	2	
13	6C5-41135-00-00	.GASKET, EXHAUST MANIFOLD	1	
14	6C5-14711-00-CA	MUFFLER 1	1	
15	97075-06025-00	BOLT	6	
16	92995-06600-00	WASHER	6	
17	6C5-45123-00-00	.GASKET, MUFFLER	1	
18	90119-08102-00	BOLT, WITH WASHER	4	
19	90119-08132-00	BOLT, WITH WASHER	8	
20	6C5-45155-00-00	CAP	1	

CONTINUED ON NEXT FRAME >

  
6C16110-J260

# UPPER CASING



Ref No.	Part Number	Description	Qty	Remarks
21	69W-45318-00-00	BUSHING, DRIVE SHAFT	1	
22	93420-36M01-00	CIRCLIP	1	
23	97075-10045-00	BOLT	6	
24	92995-10100-00	WASHER	6	
25	92995-10600-00	WASHER	6	
26	93606-12019-00	PIN, DOWEL	2	
27	6C5-45111-00-8D	CASING, UPPER	1	



6C16110-J260