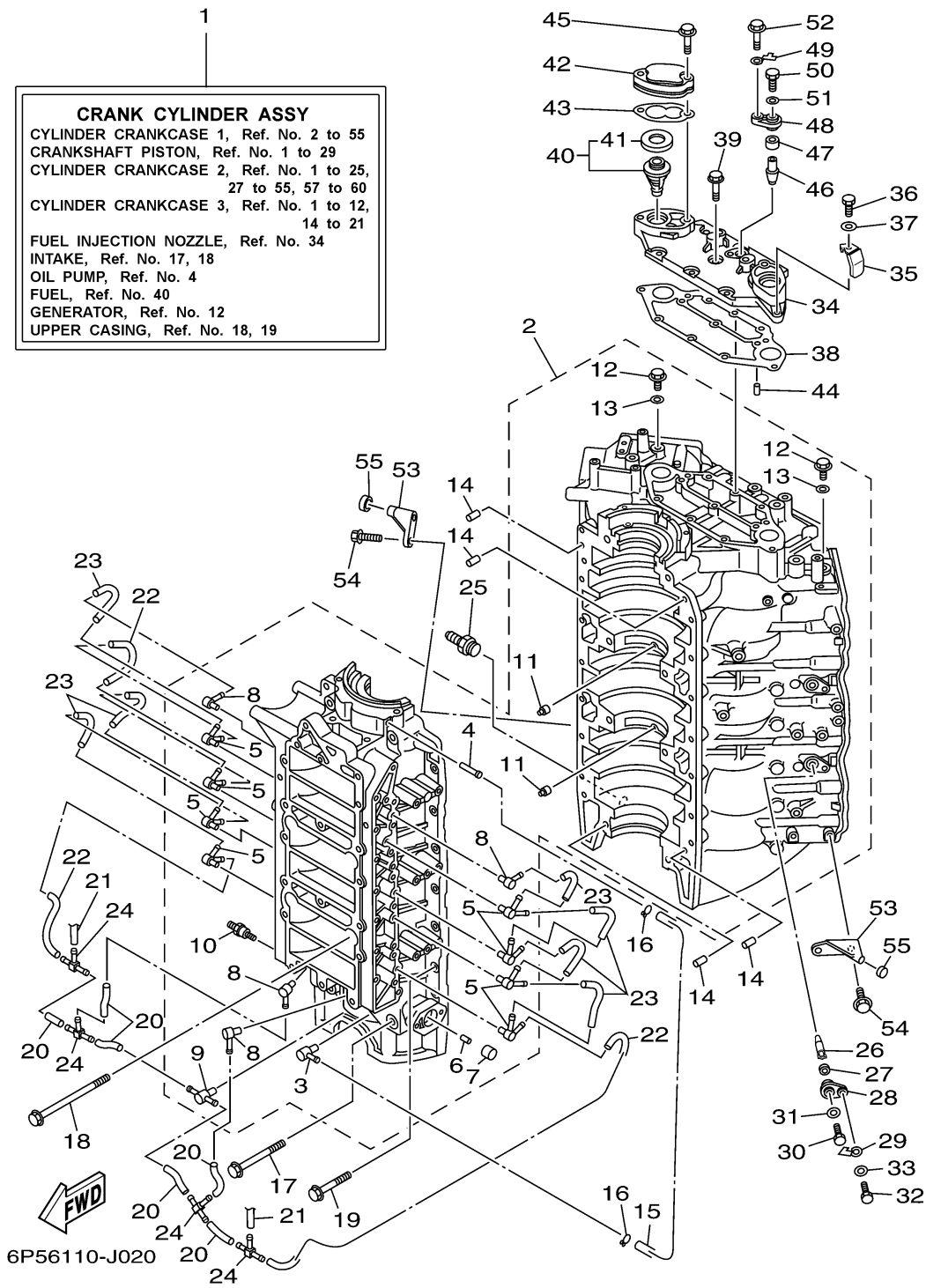


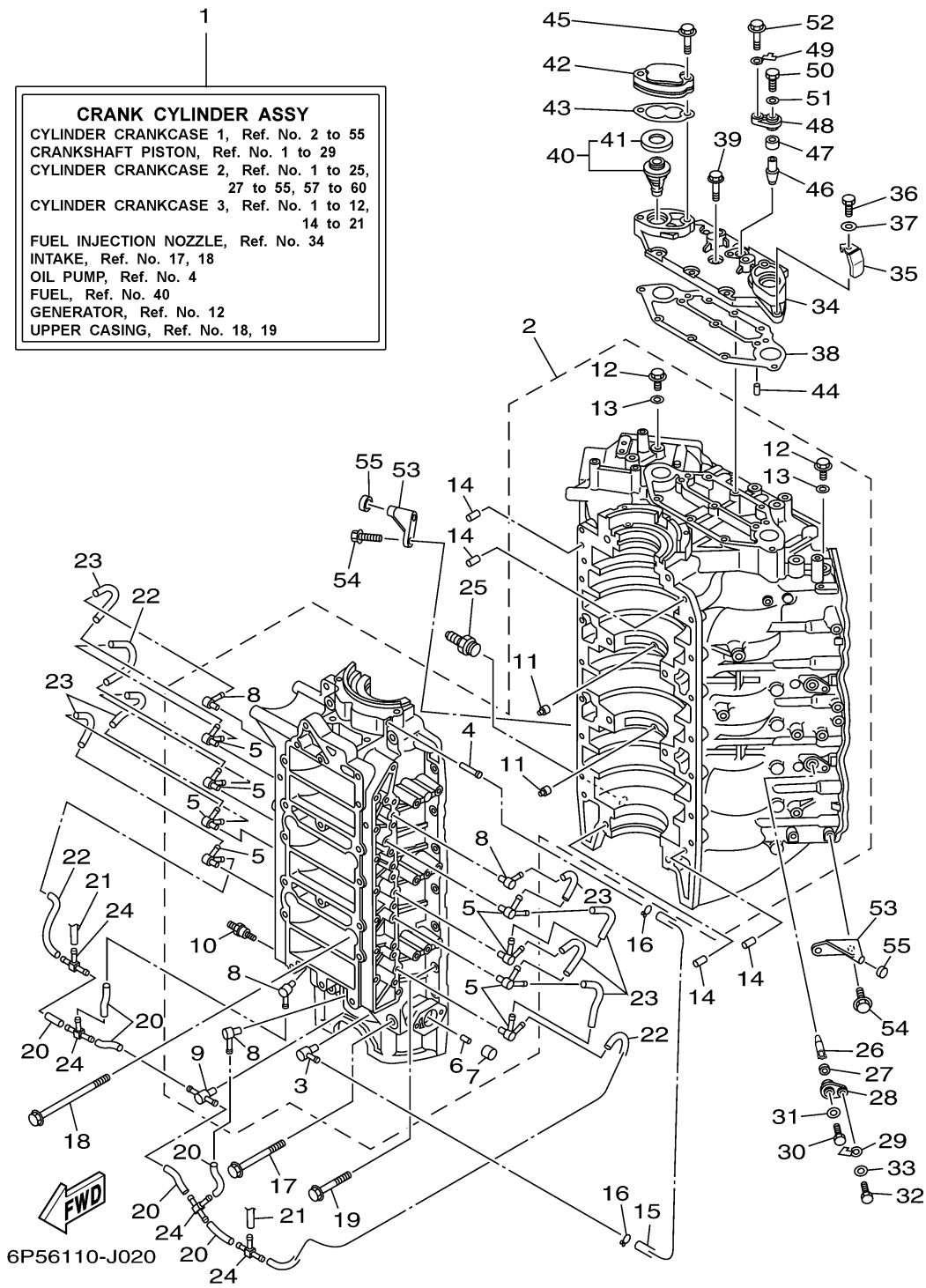
CYLINDER CRANKCASE 1



Ref No.	Part Number	Description	Qty	Remarks
1	60Y-W0090-17-1S	CRANK CYLINDER ASSY	1	
2	60V-15100-03-1S	CRANKCASE ASSY	1	
3	6E5-11372-01-00	..NIPPLE, HOSE	1	
4	624-14485-00-00	..PIPE, JOINT	1	
5	60V-11370-00-00	..CHECK VALVE ASSY	8	
6	90384-06M07-00	..BUSH, BIMETAL FORMED	1	
7	90383-16M01-00	..BUSH, FORMED	1	
8	650-11370-01-00	..CHECK VALVE ASSY	4	
9	60V-11370-10-00	..CHECK VALVE ASSY	1	
10	90116-08012-00	..BOLT, STUD	1	
11	663-11518-01-00	..LOCK, BEARING	2	
12	90340-14M00-00	..PLUG, STRAIGHT SCREW	2	
13	90430-14115-00	..GASKET	2	
14	93608-12063-00	PIN, DOWEL	4	
15	90445-07M10-00	HOSE (L510)	1	
16	90468-07M02-00	CLIP	2	
17	90119-10022-00	BOLT, WITH WASHER	4	
18	90119-10021-00	BOLT, WITH WASHER	4	
19	90119-06089-00	BOLT, WITH WASHER	14	
20	90445-07M03-00	..HOSE (L34)	6	

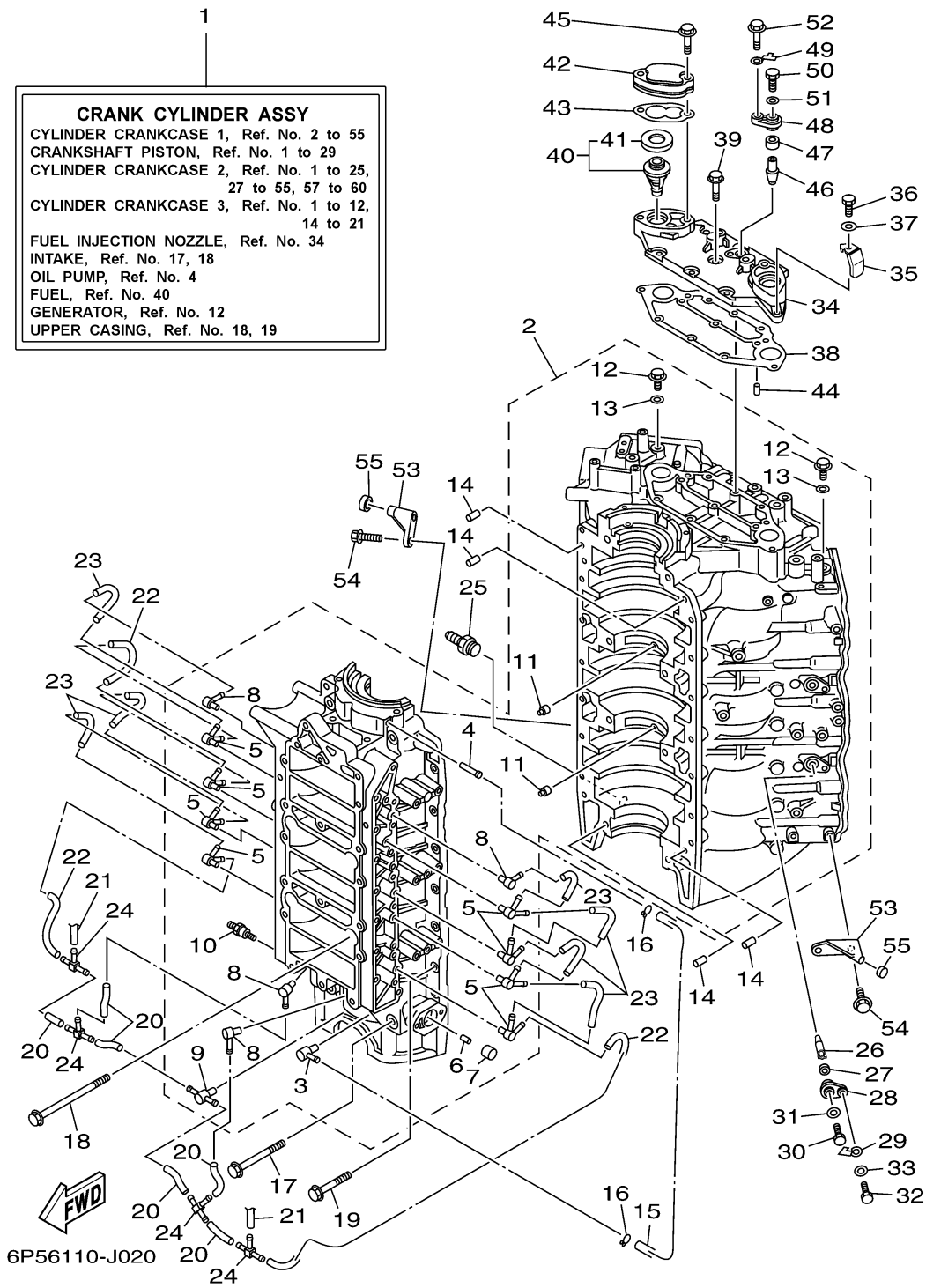
CONTINUED ON NEXT FRAME >

CYLINDER CRANKCASE 1



Ref No.	Part Number	Description	Qty	Remarks
21	90445-07016-00	.HOSE (L60)	2	
22	90445-07M29-00	HOSE (L135)	3	
23	90445-07MA6-00	HOSE (L90)	7	
24	6E0-24378-00-00	PIPE, JOINT 3	4	
25	6G5-12581-00-00	JOINT, HOSE 1	1	
26	60V-11325-01-00	ANODE	3	
27	66M-11328-00-00	GROMMET, ANODE	3	
28	66M-11327-00-94	COVER, ANODE	3	
29	66M-12535-00-00	PLATE	3	
30	97095-05012-00	BOLT	3	
31	92995-05600-00	WASHER	3	
32	97013-06020-00	BOLT	3	
33	92903-06600-00	WASHER, PLATE	3	
34	60V-11371-00-1S	COVER	1	
35	60V-24135-00-00	CLAMP 1	1	
36	97013-05012-00	BOLT	1	
37	92903-05600-00	WASHER, PLATE	1	
38	60V-11381-00-00	.GASKET 1	1	
39	90119-06MA2-00	BOLT, WITH WASHER	7	
40	60V-12411-00-00	THERMOSTAT	2	

CONTINUED ON NEXT FRAME >



CYLINDER CRANKCASE 1

Ref No.	Part Number	Description	Qty	Remarks
41	67F-12412-00-00	. .SEAL, THERMOSTAT	1	
42	60V-12413-00-1S	COVER, THERMOSTAT	2	
43	60V-12414-A0-00	.GASKET, COVER	2	
44	99480-06012-00	PIN	2	
45	90119-06055-00	BOLT, WITH WASHER	4	
46	66M-11325-00-00	ANODE	1	
47	66M-11328-00-00	GROMMET, ANODE	1	
48	66M-11327-00-94	COVER, ANODE	1	
49	66M-12535-00-00	PLATE	1	
50	97095-05012-00	BOLT	1	
51	92995-05600-00	WASHER	1	
52	90119-06MA2-00	BOLT, WITH WASHER	1	
53	6E5-42761-00-1S	STOPPER	2	
54	90119-06MA2-00	BOLT, WITH WASHER	4	
55	68F-44533-01-00	DAMPER, UPPER MOUNT RUBBER	2	