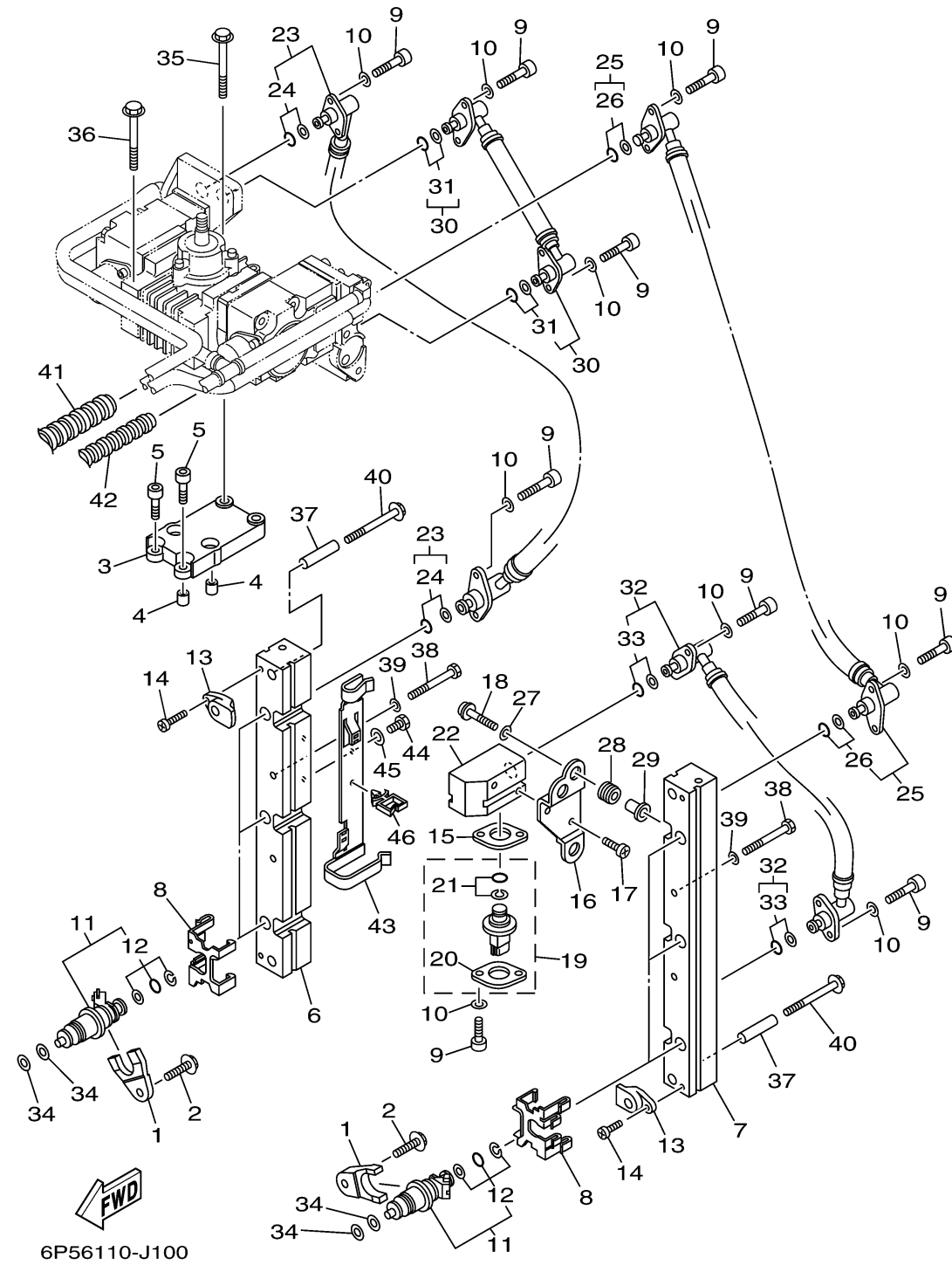


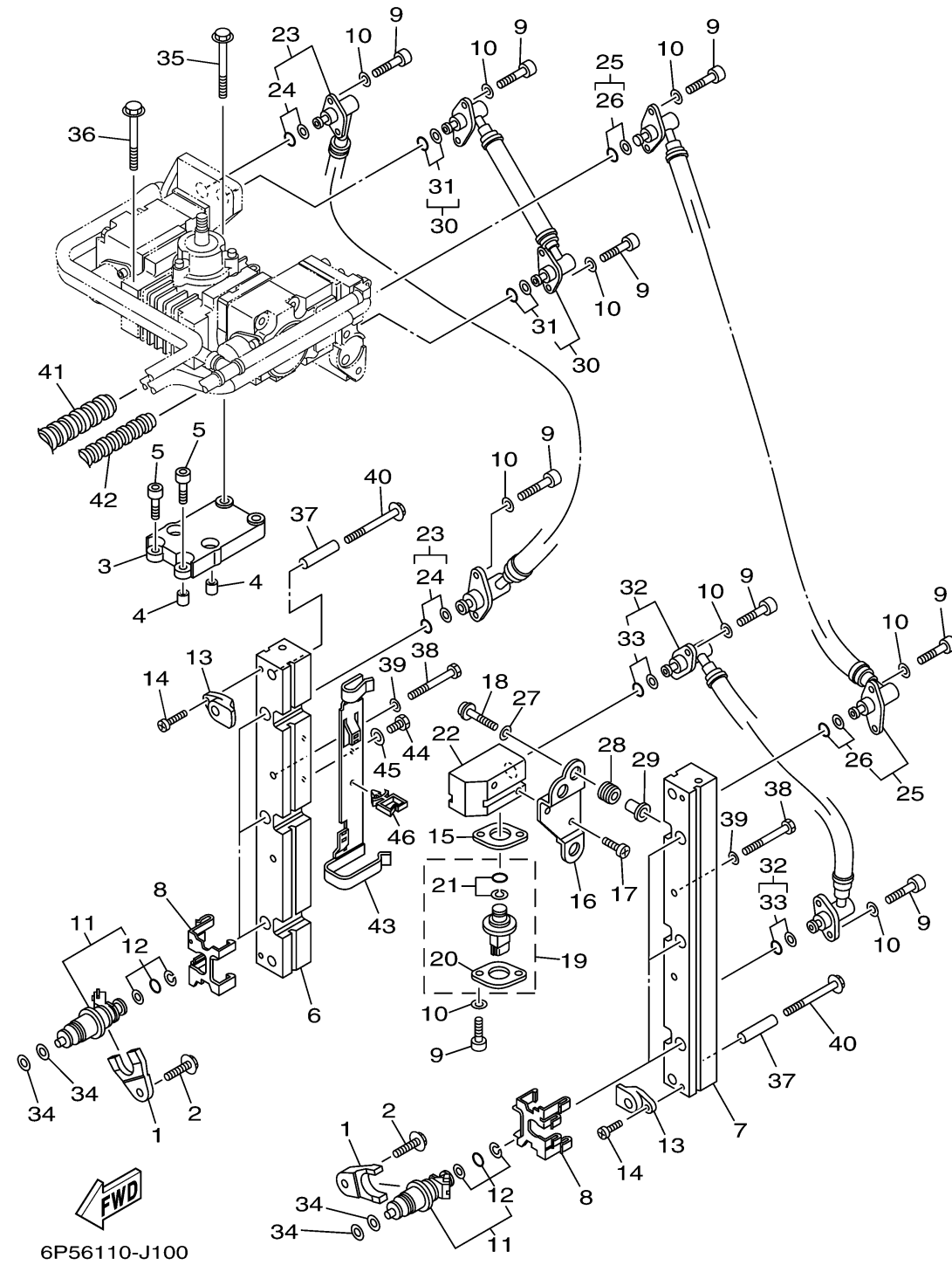
FUEL INJECTION NOZZLE



| Ref No. | Part Number | Description | Qty | Remarks |
|---------|-----------------|---------------------------|-----|---------|
| 1 | 68F-13767-00-00 | CAP, INJECTOR | 6 | |
| 2 | 90119-08M60-00 | BOLT, WITH WASHER | 6 | |
| 3 | 60V-13782-00-00 | STAY | 1 | |
| 4 | 90387-08M31-00 | COLLAR | 2 | |
| 5 | 90110-08M04-00 | BOLT, HEXAGON SOCKET HEAD | 4 | |
| 6 | 60V-13161-00-00 | PIPE, DELIVERY 1 | 1 | |
| 7 | 60V-13171-00-00 | PIPE, DELIVERY 2 | 1 | |
| 8 | 60V-13898-00-00 | HOLDER | 6 | |
| 9 | 68F-24551-00-00 | BOLT, JOINT | 18 | |
| 10 | 68F-24576-00-00 | WASHER | 18 | |
| 11 | 60V-13761-00-00 | INJECTOR | 6 | |
| 12 | 68F-1410B-00-00 | ..PACKING KIT | 1 | |
| 13 | 60V-14264-00-00 | COLLAR | 4 | |
| 14 | 65L-14565-00-00 | SCREW | 4 | |
| 15 | 60V-82389-00-00 | PLATE 2 | 1 | |
| 16 | 60V-82398-00-00 | PLATE 3 | 1 | |
| 17 | 60V-81545-00-00 | SCREW 1 | 2 | |
| 18 | 60V-81546-00-00 | SCREW 2 | 3 | |
| 19 | 60V-82380-00-00 | SENSOR, PRESSURE | 1 | |
| 20 | 68F-82388-00-00 | ..PLATE | 1 | |

CONTINUED ON NEXT FRAME >

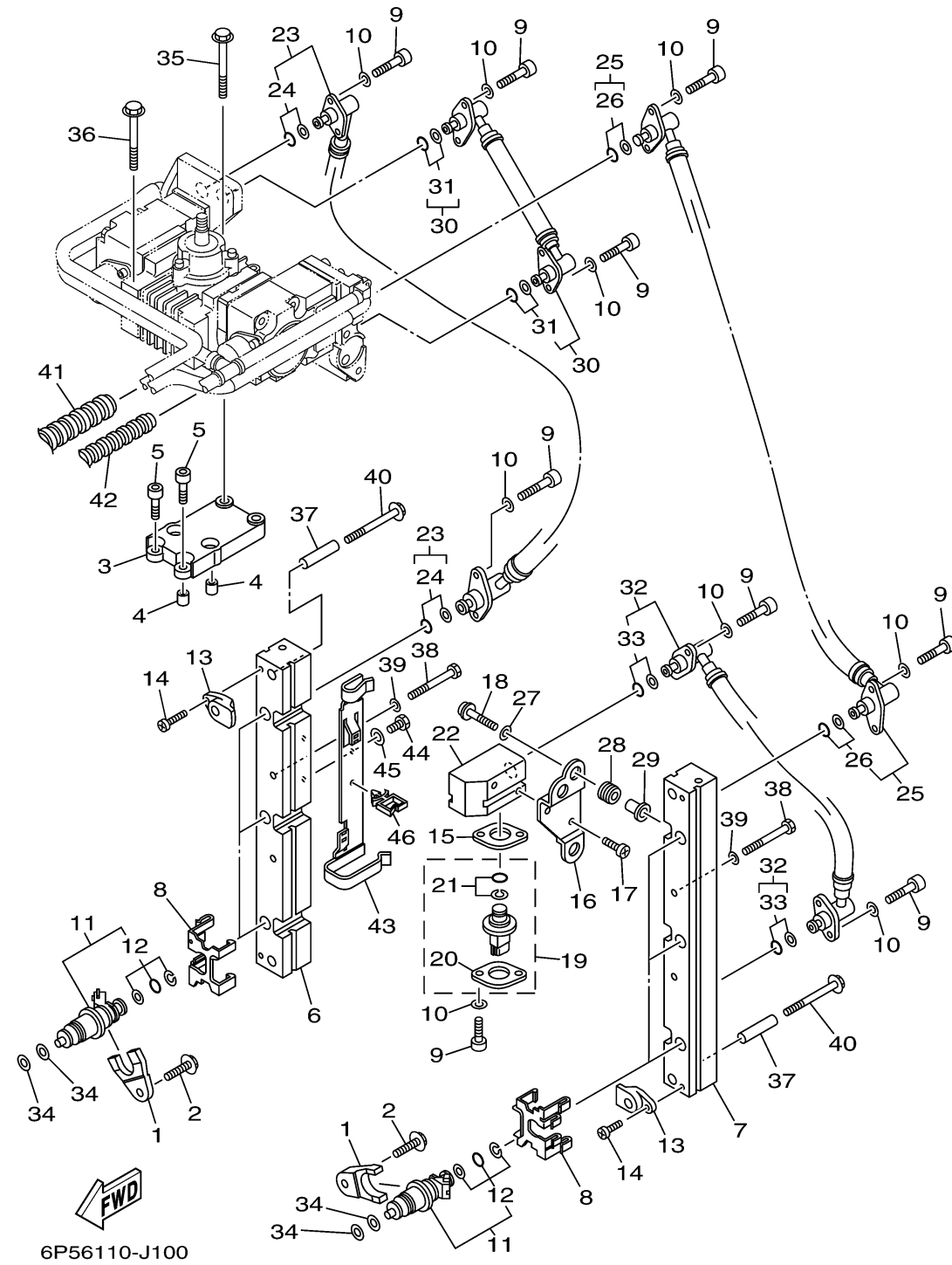
FUEL INJECTION NOZZLE



| Ref No. | Part Number | Description | Qty | Remarks |
|---------|-----------------|-------------------|-----|---------|
| 21 | 68F-82384-00-00 | ..PACKING KIT | 1 | |
| 22 | 60V-13938-00-00 | PIPE | 1 | |
| 23 | 60V-13973-10-00 | PIPE, FUEL 3 | 1 | |
| 24 | 68F-2466A-00-00 | ..PACKING KIT | 2 | |
| 25 | 60V-13974-10-00 | PIPE, FUEL 4 | 1 | |
| 26 | 68F-2466A-00-00 | ..PACKING KIT | 2 | |
| 27 | 65L-14596-00-00 | WASHER | 3 | |
| 28 | 90480-10M23-00 | GROMMET | 3 | |
| 29 | 90387-05M00-00 | COLLAR | 3 | |
| 30 | 60V-13975-10-00 | PIPE, FUEL 5 | 1 | |
| 31 | 68F-2466A-00-00 | ..PACKING KIT | 2 | |
| 32 | 60V-13976-10-00 | PIPE, FUEL 6 | 1 | |
| 33 | 68F-2466A-00-00 | ..PACKING KIT | 2 | |
| 34 | 68F-13764-00-00 | GASKET (T=2.2) | 12 | |
| 35 | 97513-08570-00 | BOLT, WITH WASHER | 2 | |
| 36 | 97513-08590-00 | BOLT, WITH WASHER | 2 | |
| 37 | 60V-13716-00-00 | COLLAR | 4 | |
| 38 | 97013-08055-00 | BOLT | 4 | |
| 39 | 92903-08600-00 | WASHER, PLATE | 4 | |
| 40 | 97513-08570-00 | BOLT, WITH WASHER | 4 | |

CONTINUED ON NEXT FRAME >

FUEL INJECTION NOZZLE



| Ref No. | Part Number | Description | Qty | Remarks |
|---------|-----------------|--------------------------|-----|---------|
| 41 | 90447-22004-00 | HOSE, WITH SPRING (L200) | 1 | |
| 42 | 90447-15001-00 | HOSE, WITH SPRING (L205) | 1 | |
| 43 | 6D0-8366P-00-00 | BRACKET 4 | 1 | |
| 44 | 97095-06012-00 | BOLT | 2 | |
| 45 | 92995-06600-00 | WASHER | 2 | |
| 46 | 90464-08004-00 | CLAMP | 1 | |