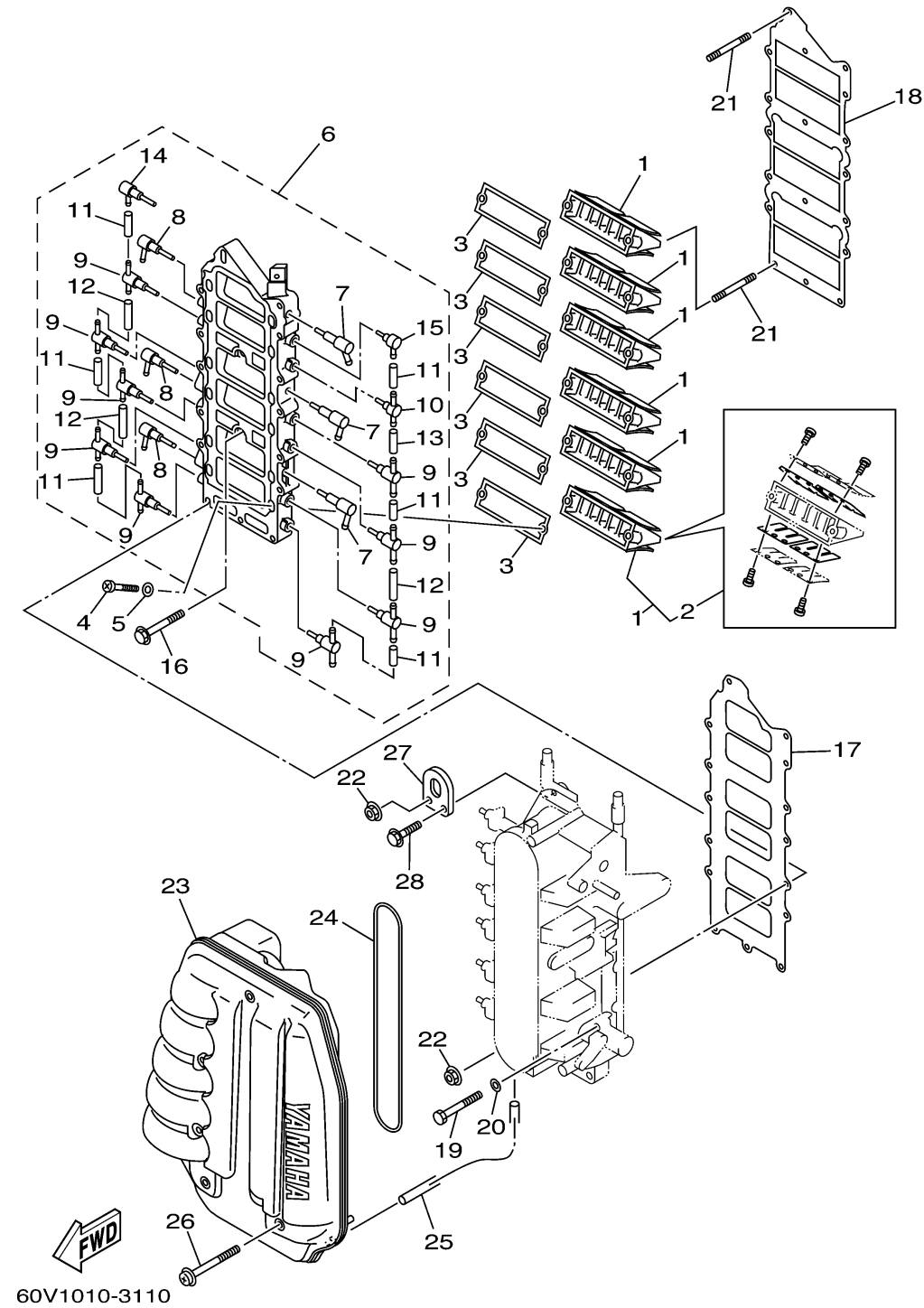


INTAKE



Ref No.	Part Number	Description	Qty	Remarks
1	60V-13610-00-00	REED VALVE ASSY	6	
2	60V-W0004-00-00	.REED SET	1	
3	60V-13621-A0-00	.GASKET, VALVE SEAT	6	
4	97880-05016-00	SCREW, PAN HEAD	12	
5	92990-05600-00	WASHER, PLATE	12	
6	60V-13624-00-1S	PLATE, REED VALVE	1	
7	60V-13552-00-00	.NOZZLE	3	
8	60V-13572-00-00	.NOZZLE	3	
9	60V-11379-00-00	.VALVE, CHECK	9	
10	6F6-11370-01-00	.CHECK VALVE ASSY	1	
11	90445-07M03-00	.HOSE (L34)	6	
12	90445-07016-00	.HOSE (L60)	3	
13	90445-07015-00	.HOSE (L65)	1	
14	60V-11369-00-00	.VALVE, CHECK	1	
15	650-11370-01-00	.CHECK VALVE ASSY	1	
16	90105-06028-00	BOLT, FLANGE	2	
17	60V-13646-00-00	.GASKET, MANIFOLD 2	1	
18	60V-13645-00-00	.GASKET, MANIFOLD 1	1	
19	97013-06060-00	BOLT	12	
20	92903-06600-00	WASHER, PLATE	12	

CONTINUED ON NEXT FRAME >

INTAKE

Ref No.	Part Number	Description	Qty	Remarks
21	95670-06660-00	BOLT, STUD	2	
22	90179-06M24-00	NUT	2	
23	60V-14440-00-00	SILENCER ASSY, INTAKE	1	
24	60V-14476-00-00	.SEAL	1	
25	90445-07M44-00	HOSE (L250)	1	
26	90159-06M16-00	SCREW, WITH WASHER	6	
27	68F-11119-00-00	HANGER, ENGINE	1	
28	90119-06MA2-00	BOLT, WITH WASHER	1	

