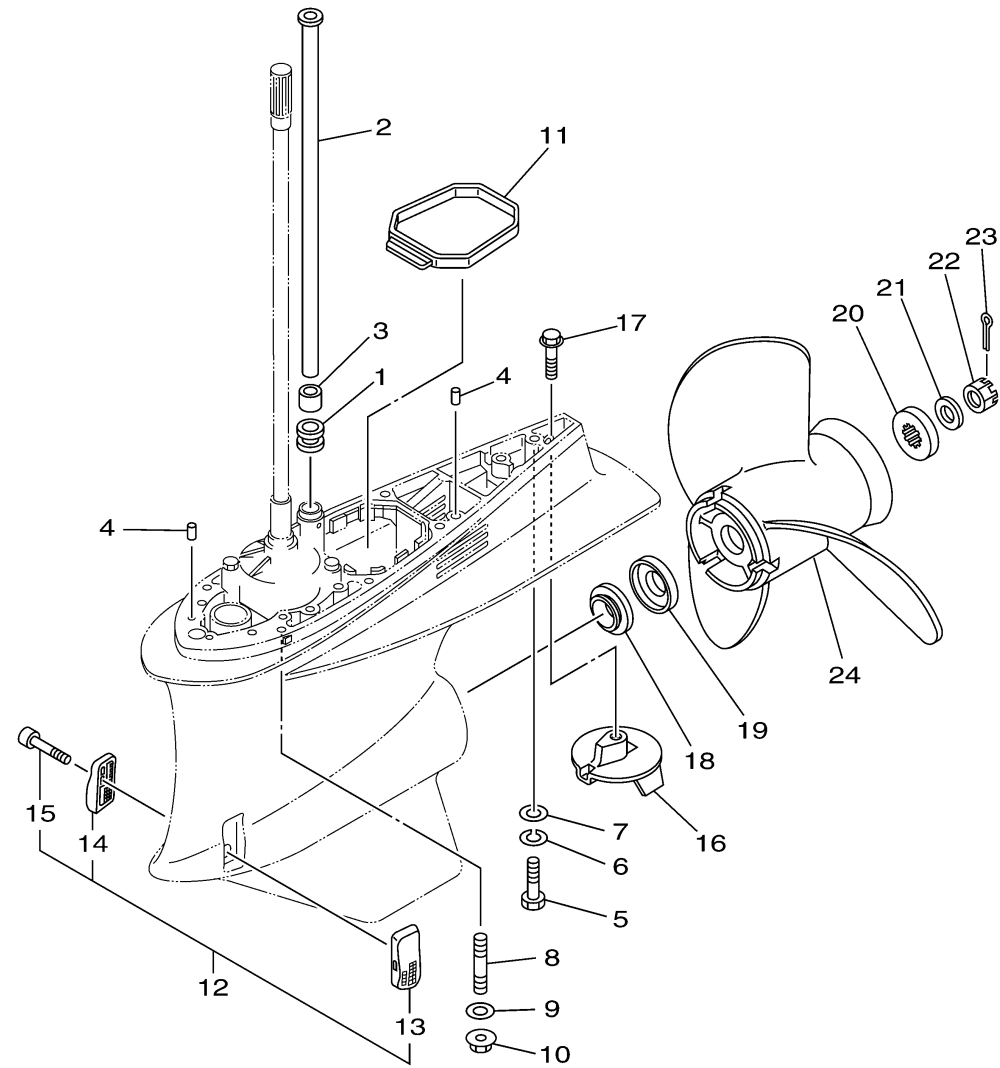


# LOWER CASING DRIVE 2



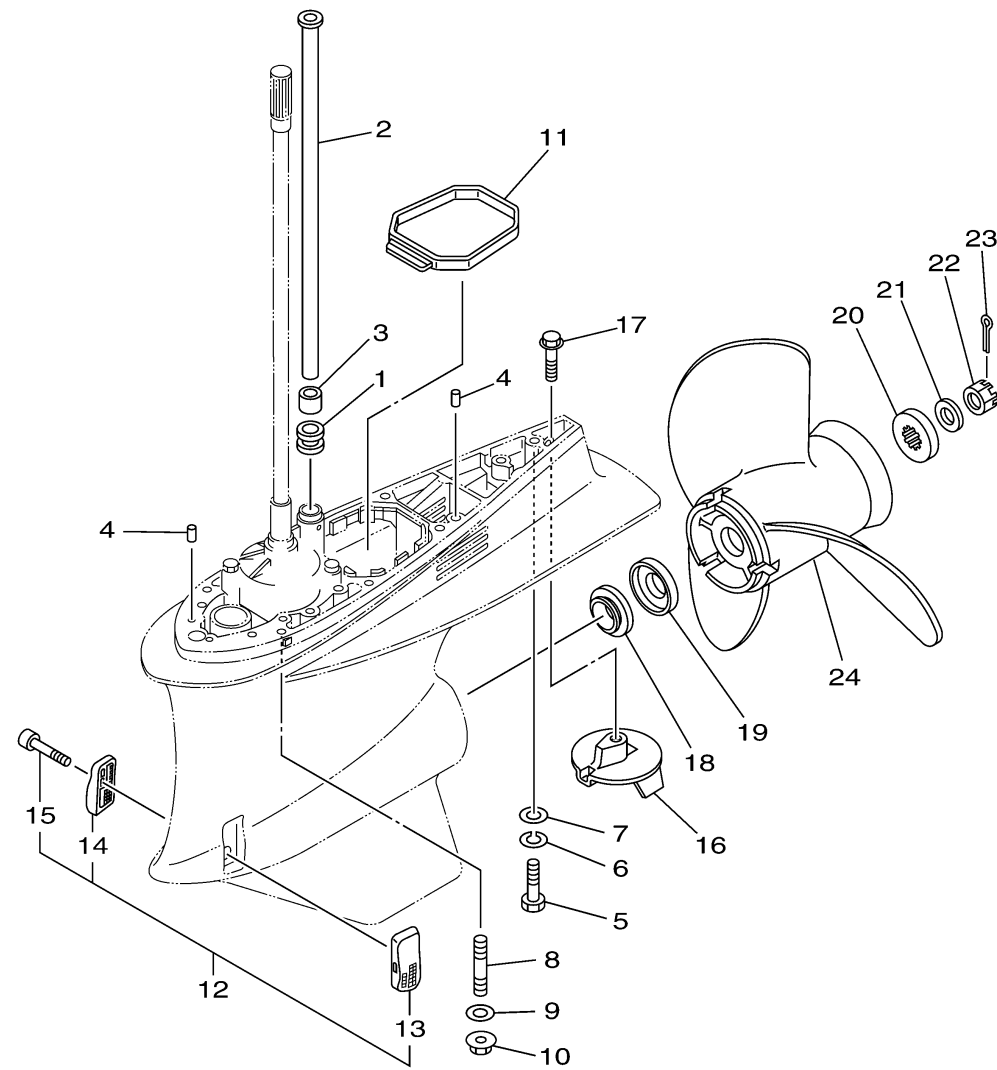
Ref No.	Part Number	Description	Qty	Remarks
1	6E5-44366-00-00	DAMPER, WATER SEAL 2	1	
2	66K-44361-00-00	TUBE, WATER	1	
3	6E5-44365-00-00	DAMPER, WATER SEAL 1	1	
4	93608-12M05-00	PIN, DOWEL	2	
5	97095-10045-00	BOLT	4	
6	92995-10100-00	WASHER	4	
7	92995-10600-00	WASHER	4	
8	90116-10021-00	BOLT, STUD	4	
9	92995-10600-00	WASHER	4	
10	95780-10300-00	NUT, FLANGE	4	
11	60X-45375-00-00	DAMPER, SEAL	1	
12	60X-W4521-02-00	COVER SET, WATER INLET	1	
13	60X-45214-02-00	..COVER, WATER INLET 1	1	
14	60X-45215-02-00	..COVER, WATER INLET 2	1	
15	90110-05025-00	..BOLT, HEXAGON SOCKET HEAD	1	
16	69L-45371-00-00	TAB-TRIM	1	
17	90105-10M00-00	BOLT, FLANGE	1	
18	60X-45987-10-00	SPACER 1	1	
19	60X-45995-00-00	SPACER 3	1	
20	688-45997-01-00	SPACER 2	1	

CONTINUED ON NEXT FRAME >

  
6P56110-J290

## LOWER CASING DRIVE 2

Ref No.	Part Number	Description	Qty	Remarks
21	92990-18200-00	WASHER	1	
22	90171-18M04-00	NUT, CASTLE	1	
23	91490-40030-00	PIN. COTTER	1	
24	69L-45976-20-00	PROPELLER (3X14-3/4"X29"-T1)	1	UR
24	69L-45974-20-00	PROPELLER (3X14-1/2"X23"-T1)	1	UR
24	69L-45972-20-00	PROPELLER (3X15-1/8"X25"-T1)	1	UR
24	69L-45970-20-00	PROPELLER (3X15-1/8"X27"-T1)	1	UR



6P56110-J290