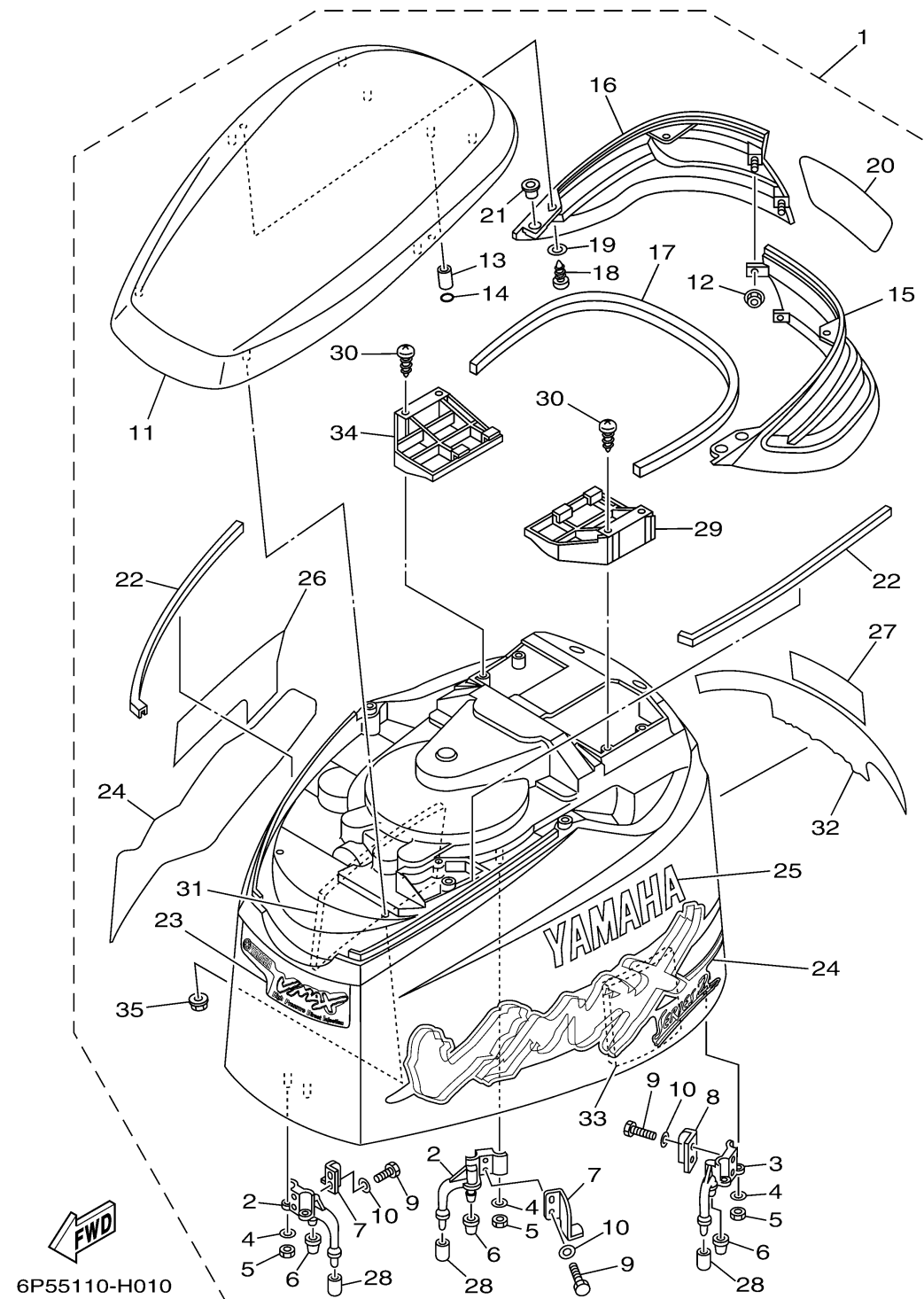


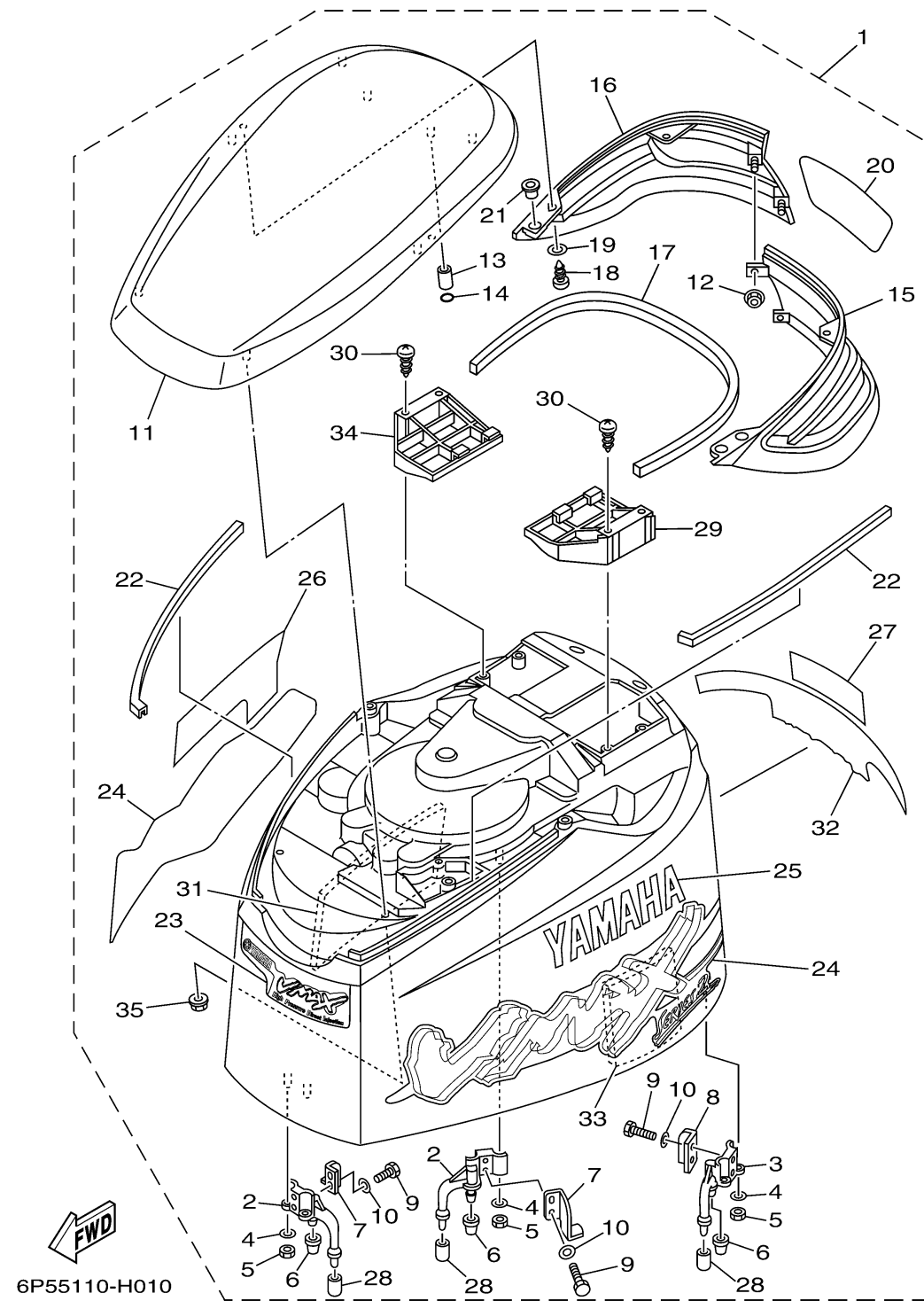
TOP COWLING



Ref No.	Part Number	Description	Qty	Remarks
1	6P5-42610-01-NA	TOP COWLING ASSY	1	
2	68F-42647-01-94	. .HOLDER, CLAMP BAND	2	
3	68F-42648-01-94	. .HOLDER, CLAMP BAND	1	
4	92990-06100-00	. .WASHER, SPRING	6	
5	95380-06600-00	. .NUT, HEXAGON	6	
6	68F-42663-00-00	. .DAMPER	3	
7	60V-42651-01-00	. .HOOK	2	
8	60V-42652-00-00	. .HOOK	1	
9	97095-06016-00	. .BOLT	6	
10	92995-06600-00	. .WASHER	6	
11	60X-42613-01-NA	. .MOLDING, AIR DUCT	1	
12	90179-06M24-00	. .NUT	2	
13	90387-06011-00	. .COLLAR	2	
14	93210-06270-00	. .O-RING	2	
15	60X-42636-01-NA	. .LOUVER 2	1	
16	60X-42636-11-NA	. .LOUVER 2	1	
17	60X-42662-00-00	. .DAMPER	1	
18	97780-50616-00	. .SCREW, TAPPING	4	
19	92990-05200-00	. .WASHER, PLAIN	4	
20	60X-42687-00-00	. .EMBLEM, REAR	1	

CONTINUED ON NEXT FRAME >

TOP COWLING



Ref No.	Part Number	Description	Qty	Remarks
21	90387-06095-00	..COLLAR	2	
22	60V-42662-00-00	..DAMPER	2	
23	60Y-42677-00-00	..GRAPHIC, FRONT	1	
24	60X-W0070-01-00	..GRAPHIC SET	1	
25	60X-42681-00-00	..MARK, COWLING	1	
26	60X-42682-00-00	..MARK, COWLING	1	
27	6P5-42678-00-00	..GRAPHIC, REAR	1	
28	67F-13448-00-00	..CAP	3	
29	60X-42626-00-00	..LOUVER, 1	1	
30	97780-50620-00	..SCREW, TAPPING	4	
31	60V-42637-00-00	..DAMPER, FORM	1	
32	60X-4267A-00-00	..GRAPHIC, REAR 2	1	
33	60V-42637-10-00	..DAMPER, FORM	1	
34	60X-42626-10-00	..LOUVER, 1	1	
35	90179-06M24-00	..NUT	6	