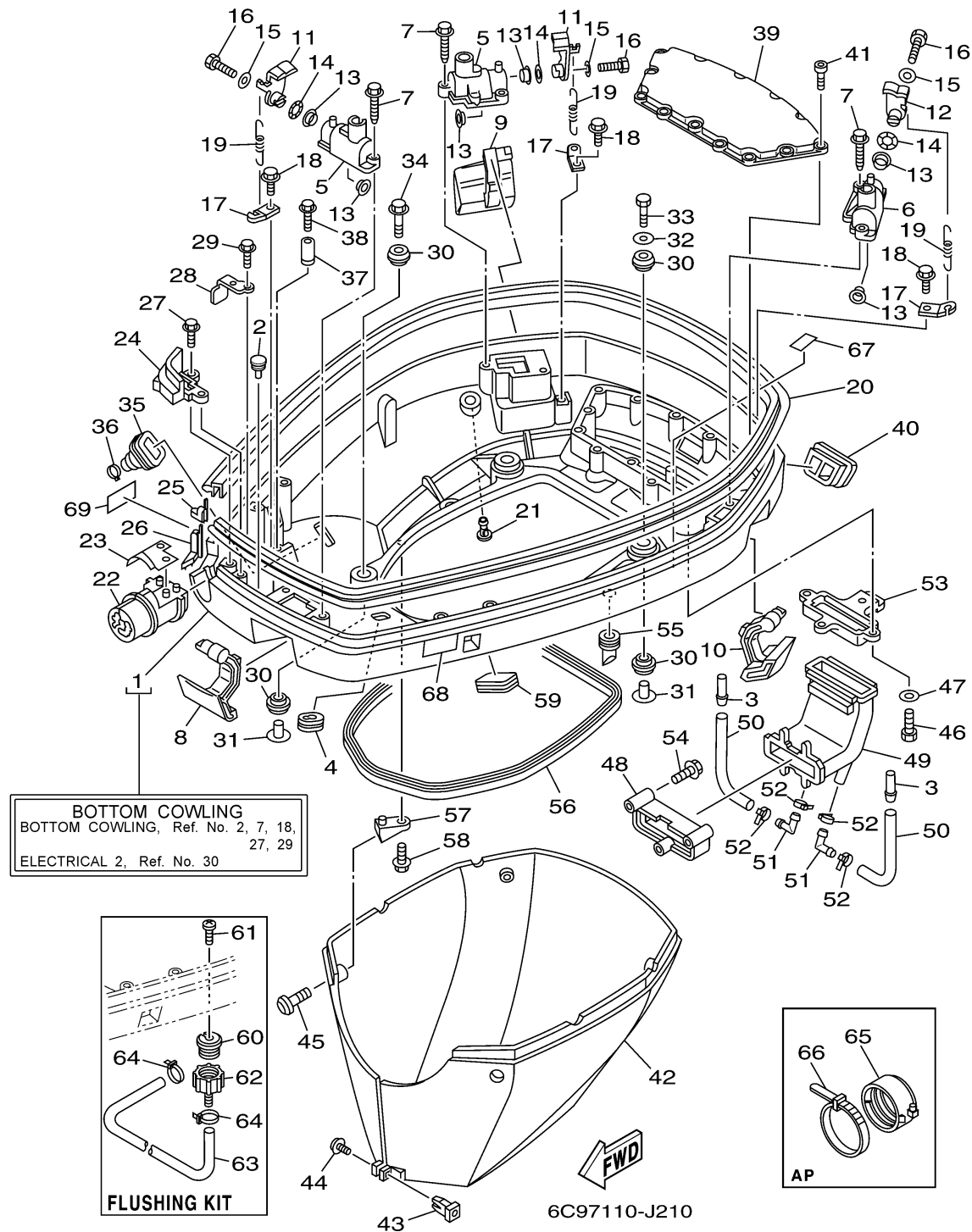


BOTTOM COWLING

Ref No.	Part Number	Description	Qty	Remarks
1	60V-42710-10-8D	BOTTOM COWLING ASSY	1	
2	6D0-42748-00-00	GROMMET	2	
3	6E5-24377-00-00	PIPE, JOINT 2	2	
4	6D0-42727-01-00	GROMMET	1	
5	68F-42828-03-8D	PLATE, CLAMP	2	
6	68F-42828-10-8D	PLATE, CLAMP	1	
7	90109-06M82-00	BOLT	6	
8	60V-42815-00-8D	LEVER, CLAMP	1	
9	60V-42817-00-8D	LEVER, CLAMP	1	
10	60V-42816-00-8D	LEVER, CLAMP	1	
11	68F-42818-01-00	LEVER, CLAMP	2	
12	6D8-42818-00-00	LEVER, CLAMP	1	
13	90386-15M73-00	BUSH	6	
14	90206-15M18-00	WASHER, WAVE	3	
15	90201-06068-00	WASHER, PLATE	3	
16	97095-06016-00	BOLT	3	
17	64D-43144-00-00	HOOK, SPRING	3	
18	90109-06M80-00	BOLT	3	
19	90506-18M40-00	SPRING, TENSION	3	
20	6D0-42615-00-00	SEAL	1	

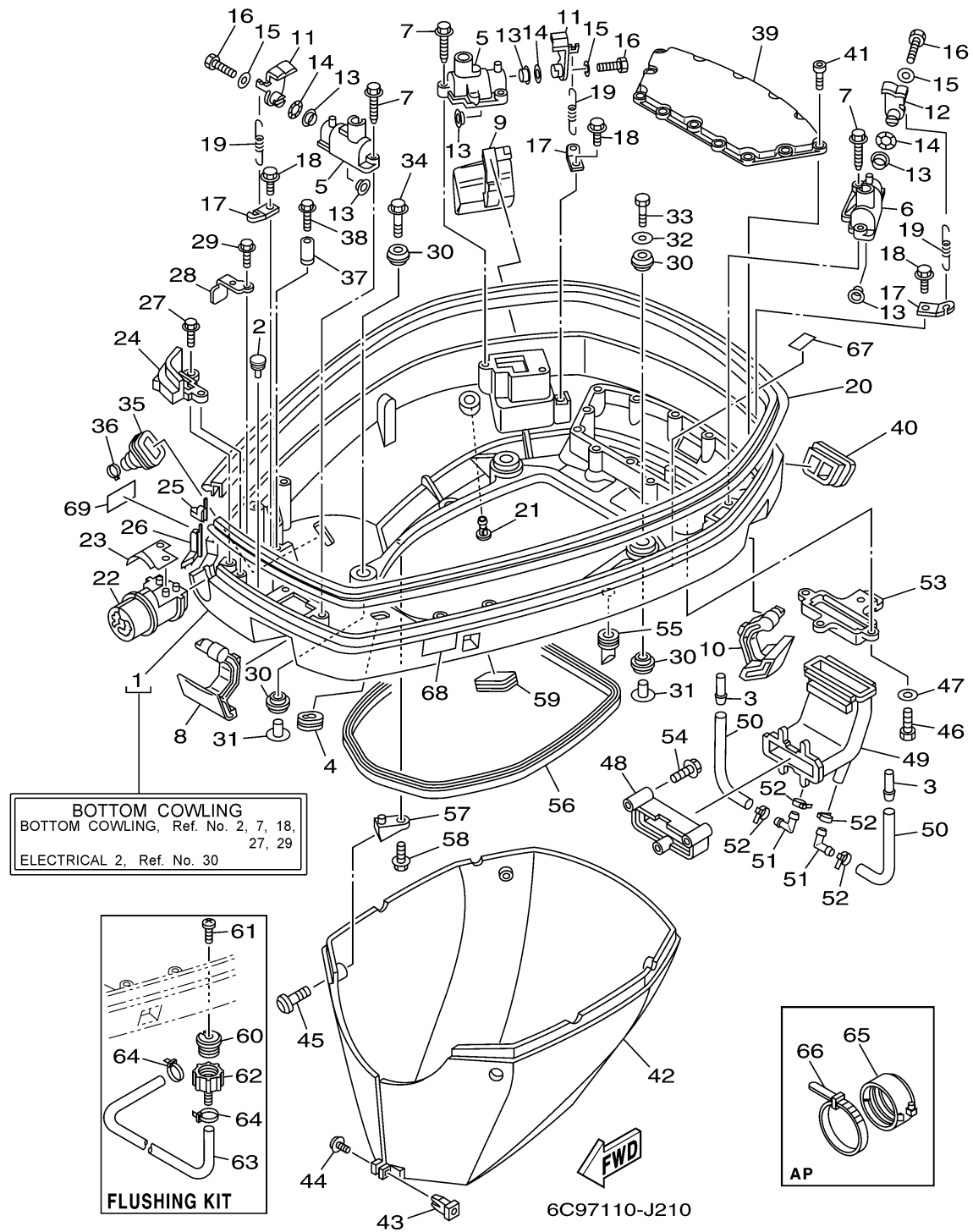
CONTINUED ON NEXT FRAME >



BOTTOM COWLING

Ref No.	Part Number	Description	Qty	Remarks
21	60V-44391-00-00	NIPPLE, HOSE	1	
22	60V-42725-01-00	GROMMET	1	
23	6D0-42721-00-00	GASKET 1	1	
24	60V-42738-02-8D	PLATE, FITTING	1	
25	60V-42716-02-00	RUBBER, SEAL 1	1	
26	60V-42717-01-00	RUBBER, SEAL 2	1	
27	90109-06M81-00	BOLT	2	
28	64D-42738-10-00	PLATE, FITTING	1	
29	90109-06M81-00	BOLT	1	
30	90480-22M81-00	GROMMET	8	
31	90387-08M37-00	COLLAR	4	
32	90201-08M54-00	WASHER, PLATE	1	
33	97075-08035-00	BOLT	1	
34	90119-08M22-00	BOLT, WITH WASHER	3	
35	6BG-42724-00-00	GROMMET	1	
36	90465-11M10-00	CLAMP	1	
37	6E5-82588-00-00	PLATE	1	
38	95895-06020-00	BOLT, FLANGE	1	
39	6D0-42723-00-00	COVER, BOTTOM	1	
40	60V-42718-00-00	RUBBER, SEAL 3	1	

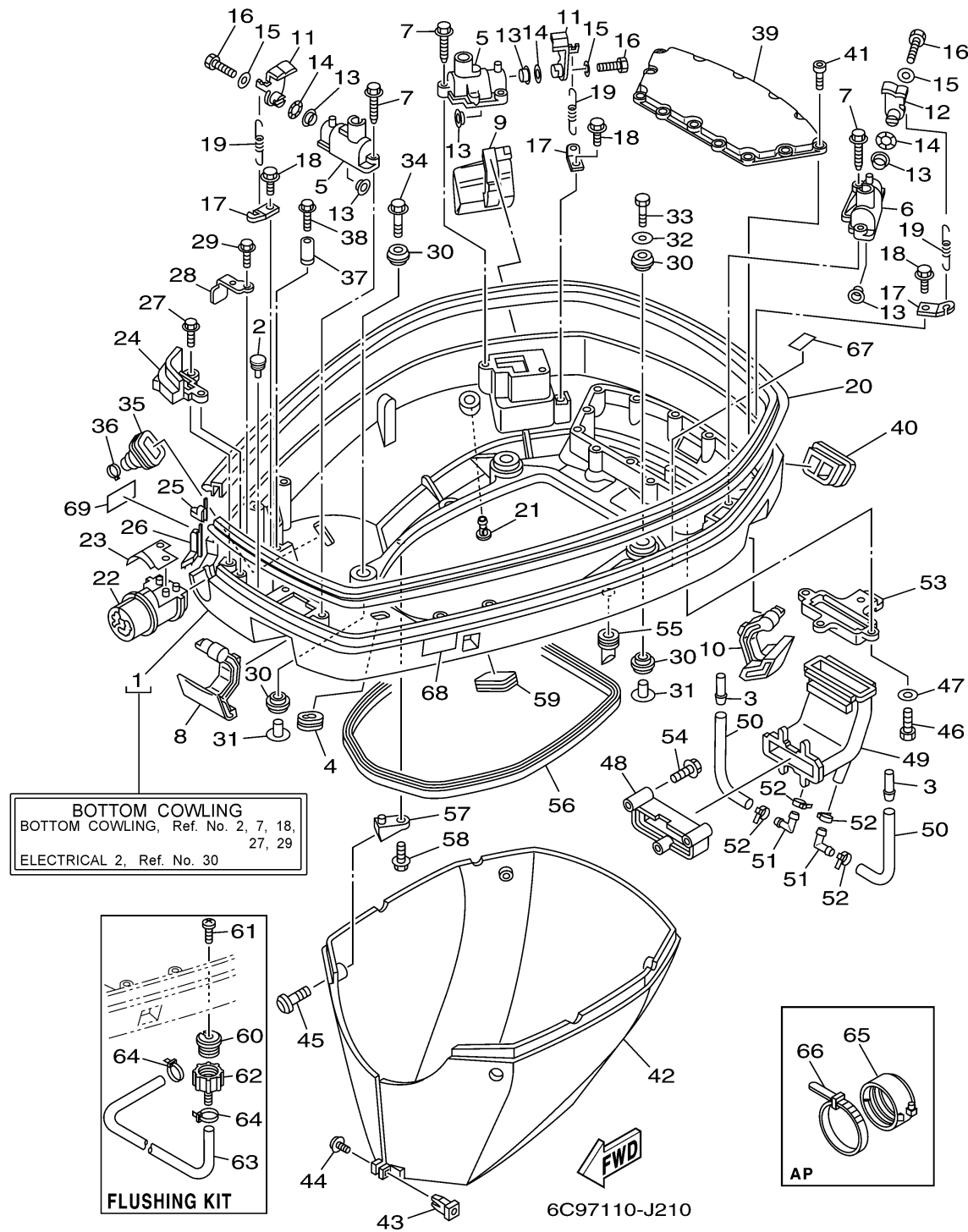
CONTINUED ON NEXT FRAME >



BOTTOM COWLING

Ref No.	Part Number	Description	Qty	Remarks
41	90110-06038-00	BOLT, HEXAGON SOCKET HEAD	13	
42	60V-42741-00-8D	APRON	1	
43	60V-42756-00-00	STAY, CLAMP	1	
44	97980-04216-00	SCREW, WITH WASHER	1	
45	90111-06034-00	BOLT,HEX. SOCKET BUTTON	4	
46	97095-06020-00	BOLT	4	
47	92995-06600-00	WASHER	4	
48	60V-12581-00-00	JOINT, HOSE 1	1	
49	60V-12576-00-00	HOSE 1	1	
50	60V-12588-00-00	HOSE 5	2	
51	60X-24376-00-00	PIPE, JOINT 1	2	
52	90465-11M10-00	CLAMP	4	
53	60V-42771-00-00	APRON	1	
54	97575-08555-00	BOLT, WITH WASHER	3	
55	6D0-42717-00-00	RUBBER, SEAL 2	4	
56	61A-42716-00-00	RUBBER, SEAL 1	1	
57	60V-42774-00-00	STAY, APRON 1	4	
58	95895-06016-00	BOLT, FLANGE	4	
59	6H4-42726-00-00	GROMMET	1	
60	6R3-12572-00-00	.ADAPTER	1	FLUSHING KIT

CONTINUED ON NEXT FRAME >



BOTTOM COWLING

Ref No.	Part Number	Description	Qty	Remarks
61	90169-05M00-00	SCREW, TRUSS HEAD TAPPING	1	FLUSHING KIT
62	6R3-12580-00-00	.JOINT ASSY	1	FLUSHING KIT
63	90445-11M36-00	HOSE (L: 620)	1	FLUSHING KIT
64	90465-11M10-00	CLAMP	2	FLUSHING KIT
65	68F-42753-00-00	FASTNER	1	AP
66	90464-20258-00	CLAMP	1	AP
67	68H-42791-01-00	MARK 1	1	
68	6AH-42794-40-00	LABEL, WARNING (GENERAL)	1	
69	6AH-81996-00-00	MARK	1	

