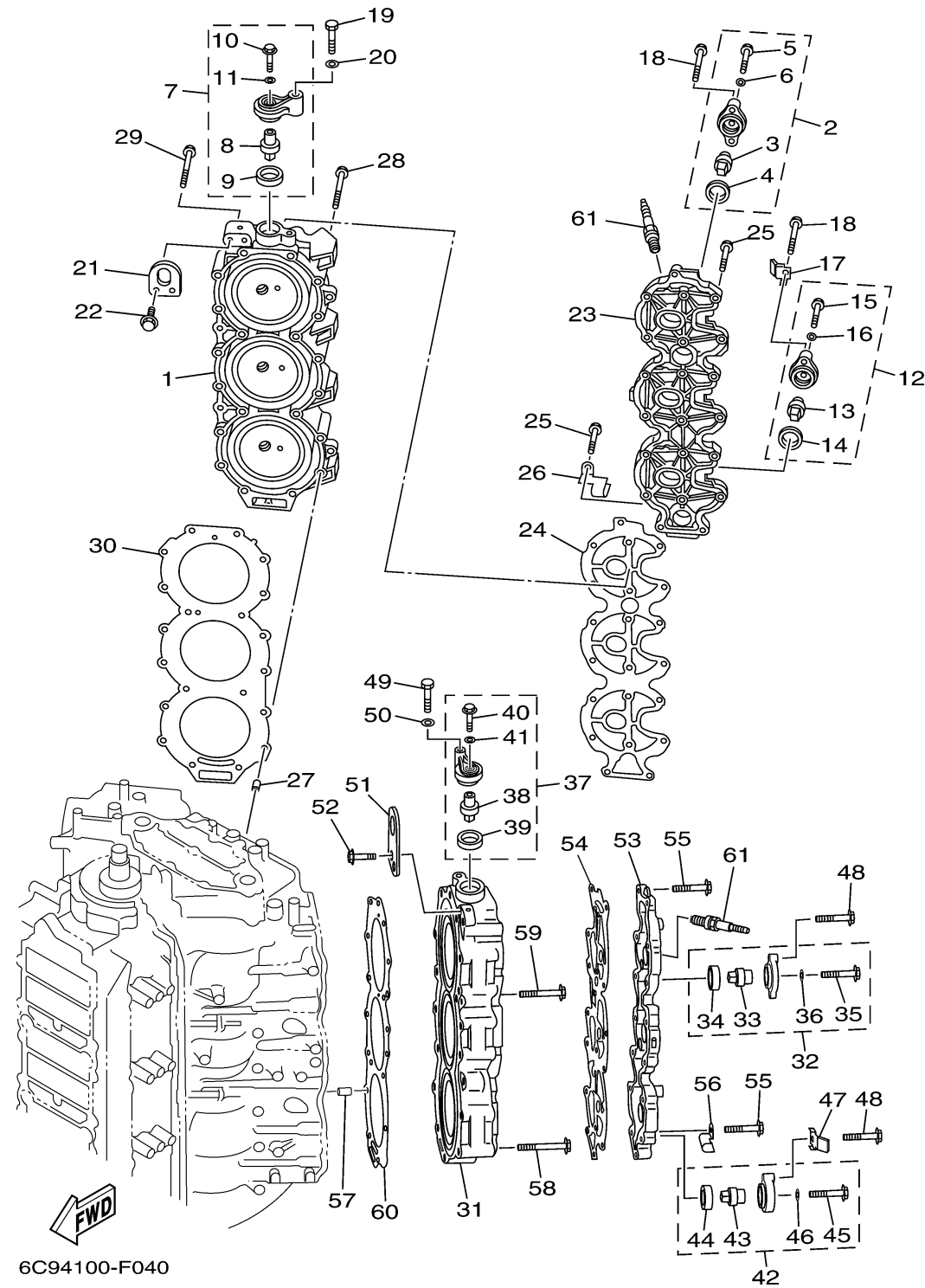


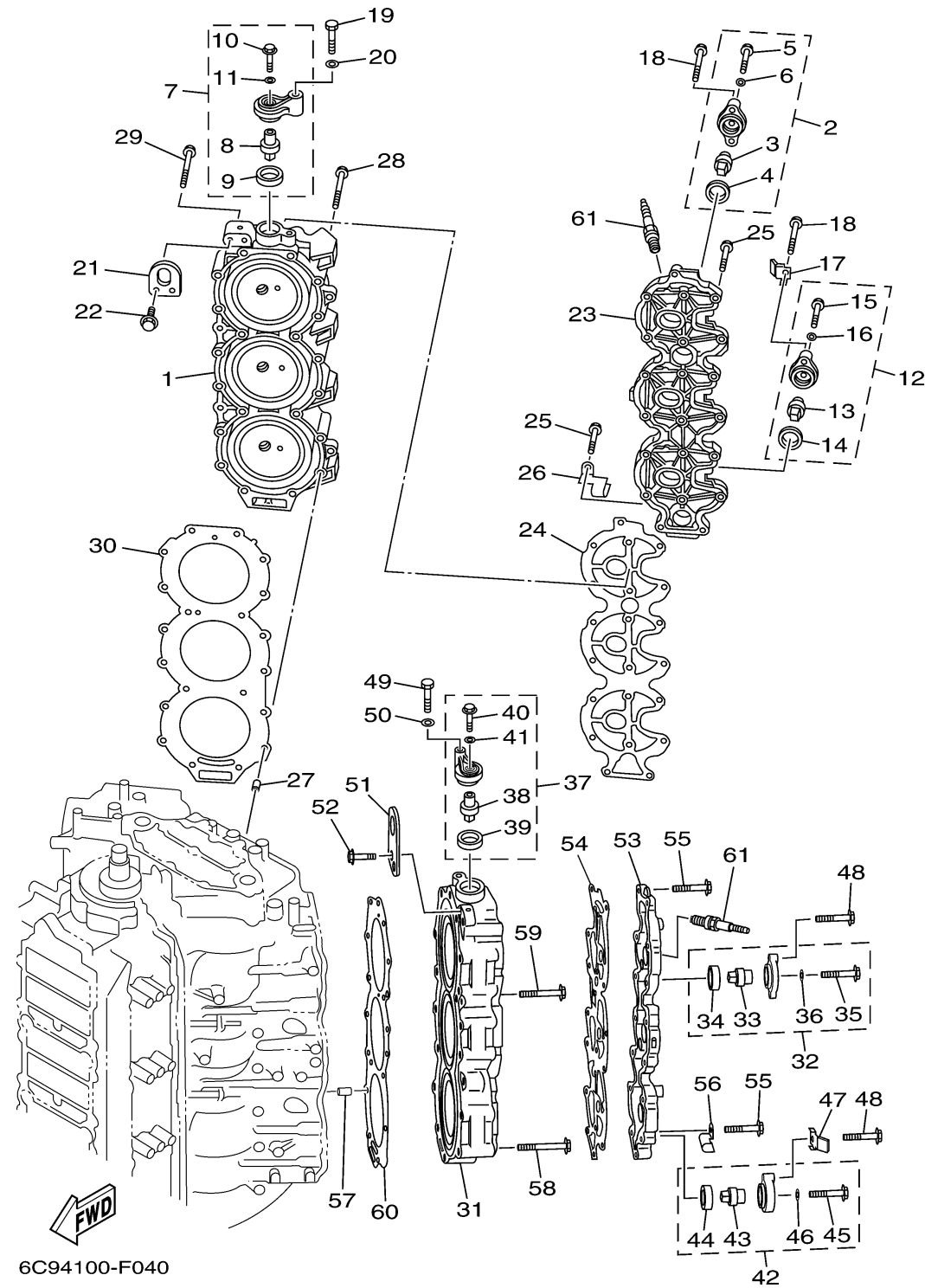
# CYLINDER CRANKCASE 2



Ref No.	Part Number	Description	Qty	Remarks
1	6D0-11111-00-1S	HEAD, CYLINDER 1	1	
2	67F-11301-00-00	ANODE COVER ASSY	1	
3	67F-11325-01-00	..ANODE	1	
4	67F-11328-00-00	..GROMMET, ANODE	1	
5	90105-06M07-00	..BOLT, FLANGE	1	
6	90430-06M03-00	..GASKET	1	
7	69J-11301-00-00	ANODE COVER ASSY	1	
8	67F-11325-01-00	..ANODE	1	
9	67F-11328-00-00	..GROMMET, ANODE	1	
10	90105-06M07-00	..BOLT, FLANGE	1	
11	90430-06M03-00	..GASKET	1	
12	60V-11301-00-00	ANODE COVER ASSY	1	
13	67F-11325-01-00	..ANODE	1	
14	67F-11328-00-00	..GROMMET, ANODE	1	
15	90105-06M07-00	..BOLT, FLANGE	1	
16	90430-06M03-00	..GASKET	1	
17	60V-12535-00-00	PLATE	1	
18	97575-08550-00	BOLT, WITH WASHER	3	
19	97075-08035-00	BOLT	1	
20	92995-08600-00	WASHER	1	

CONTINUED ON NEXT FRAME >

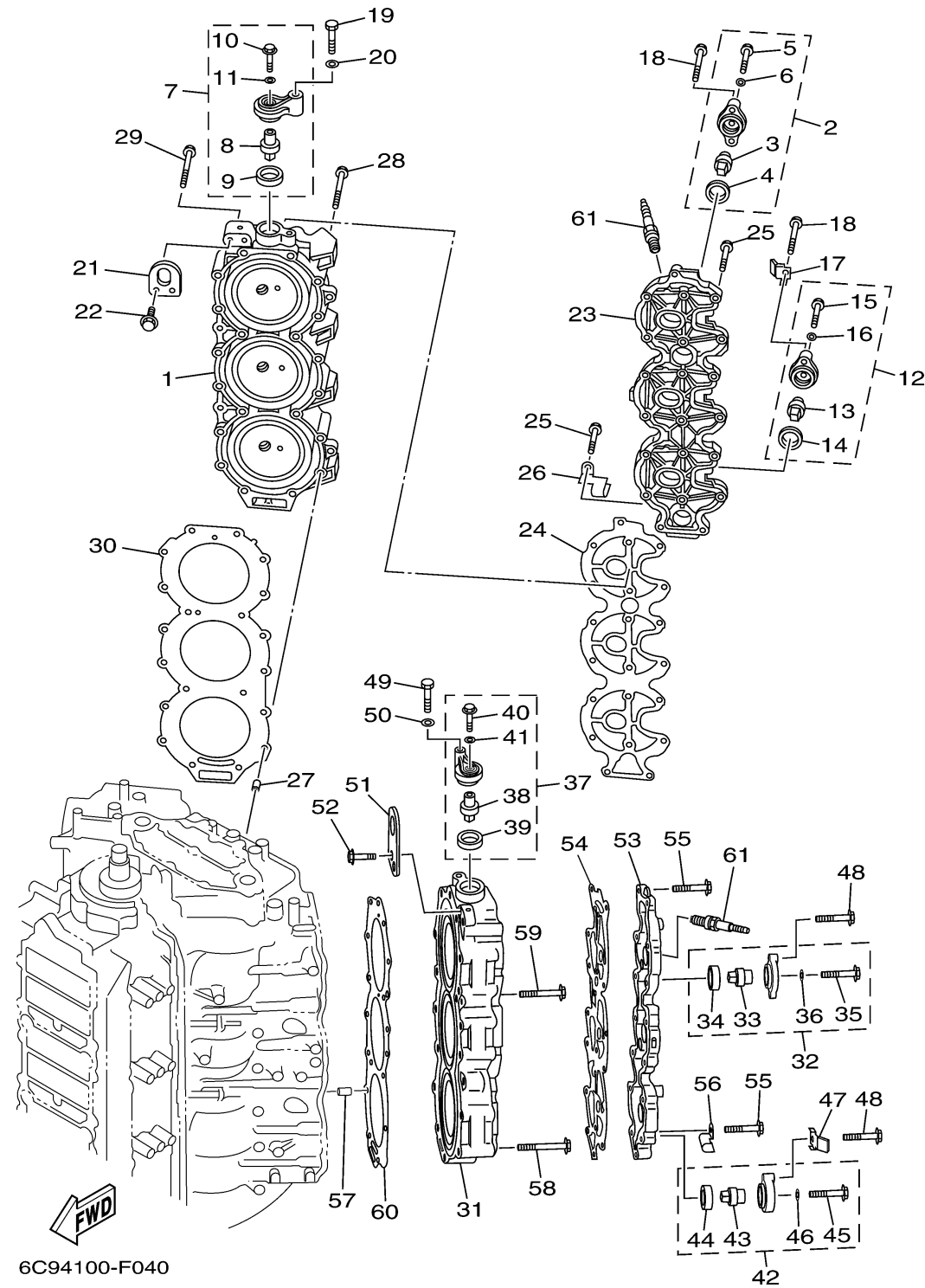
# CYLINDER CRANKCASE 2



Ref No.	Part Number	Description	Qty	Remarks
21	68F-11119-00-00	HANGER, ENGINE	1	
22	90119-06MA2-00	BOLT, WITH WASHER	2	
23	60V-11191-00-1S	COVER, CYLINDER HEAD 1	1	
24	60V-11193-00-00	.GASKET, HEAD COVER 1	1	
25	90119-06MA4-00	BOLT, WITH WASHER	18	
26	68F-83919-00-00	CLAMP, HARNESS	1	
27	99590-10114-00	PIN, DOWEL	2	
28	90119-08MA5-00	BOLT, WITH WASHER	18	
29	90119-08MA8-00	BOLT, WITH WASHER	2	
30	6D0-11181-00-00	.GASKET, CYLINDER HEAD 1	1	
31	6D0-11121-00-1S	HEAD, CYLINDER 2	1	
32	67F-11301-00-00	ANODE COVER ASSY	1	
33	67F-11325-01-00	..ANODE	1	
34	67F-11328-00-00	..GROMMET, ANODE	1	
35	90105-06M07-00	..BOLT, FLANGE	1	
36	90430-06M03-00	..GASKET	1	
37	69J-11301-00-00	ANODE COVER ASSY	1	
38	67F-11325-01-00	..ANODE	1	
39	67F-11328-00-00	..GROMMET, ANODE	1	
40	90105-06M07-00	..BOLT, FLANGE	1	

CONTINUED ON NEXT FRAME >

# CYLINDER CRANKCASE 2



Ref No.	Part Number	Description	Qty	Remarks
41	90430-06M03-00	. .GASKET	1	
42	60V-11301-00-00	ANODE COVER ASSY	1	
43	67F-11325-01-00	. .ANODE	1	
44	67F-11328-00-00	. .GROMMET, ANODE	1	
45	90105-06M07-00	. .BOLT, FLANGE	1	
46	90430-06M03-00	. .GASKET	1	
47	60V-12535-00-00	PLATE	1	
48	97575-08550-00	BOLT, WITH WASHER	3	
49	97075-08035-00	BOLT	1	
50	92995-08600-00	WASHER	1	
51	69J-1111E-00-00	HANGER, ENGINE 2	1	
52	90119-06MA2-00	BOLT, WITH WASHER	2	
53	60V-11192-00-1S	COVER, CYLINDER HEAD 2	1	
54	60V-11193-00-00	.GASKET, HEAD COVER 1	1	
55	90119-06MA4-00	BOLT, WITH WASHER	18	
56	68F-83919-00-00	CLAMP, HARNESS	1	
57	99590-10114-00	PIN, DOWEL	2	
58	90119-08MA5-00	BOLT, WITH WASHER	18	
59	90119-08MA8-00	BOLT, WITH WASHER	2	
60	6D0-11181-00-00	.GASKET, CYLINDER HEAD 1	1	

CONTINUED ON NEXT FRAME >

# CYLINDER CRANKCASE 2

Ref No.	Part Number	Description	Qty	Remarks
61	NGK-BKR6E-KU-10	PLUG, SPARK (NGK BKR6EKU)	6	

