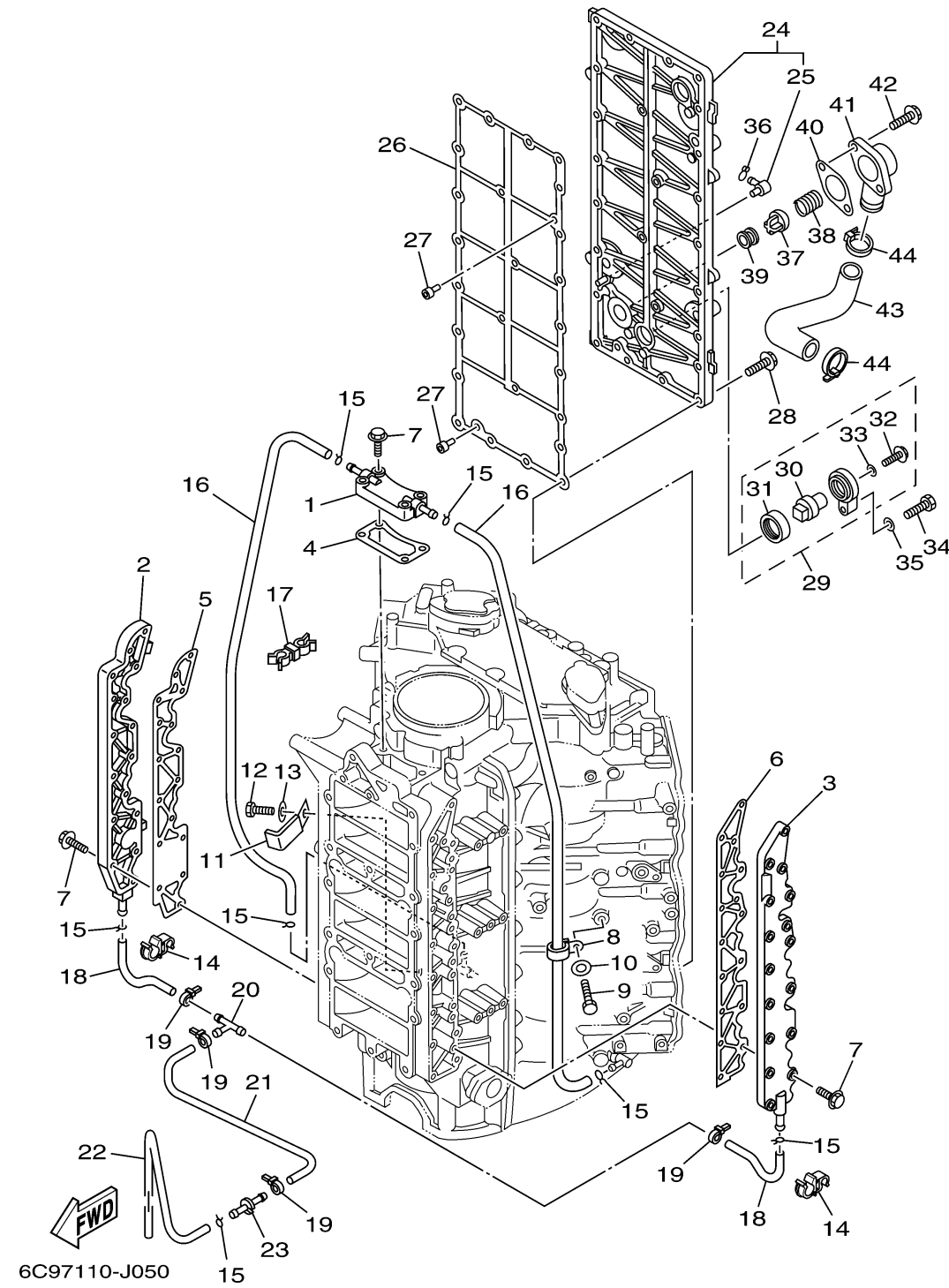


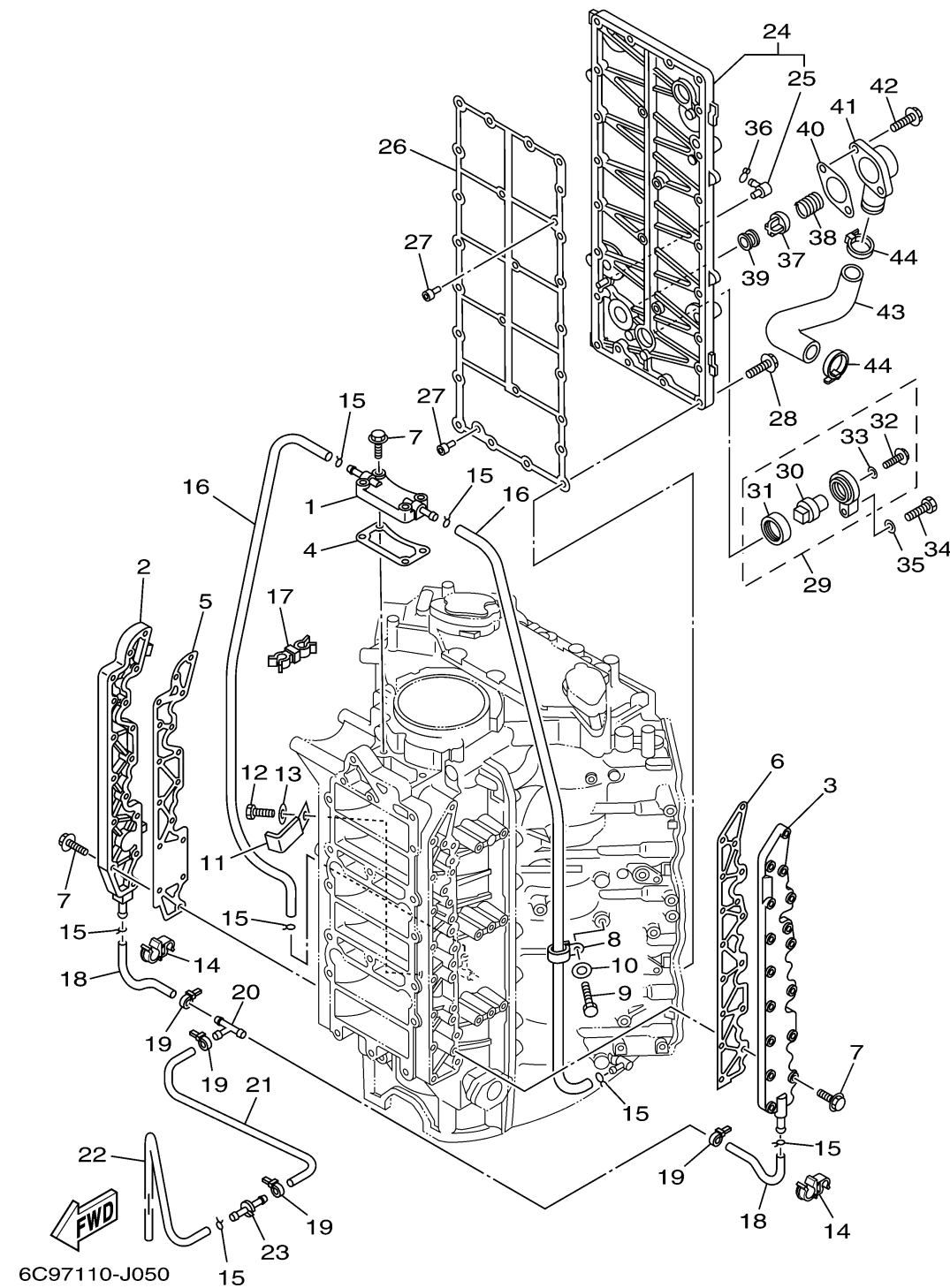
# CYLINDER CRANKCASE 3



Ref No.	Part Number	Description	Qty	Remarks
1	6D0-15411-00-1S	COVER, CRANKCASE 1	1	
2	6D0-15421-00-1S	COVER, CRANKCASE 2	1	
3	6D0-15431-00-1S	COVER, CRANKCASE 3	1	
4	6D0-15451-00-00	.GASKET, CRANKCASE COVER 1	1	
5	6D0-15461-00-00	.GASKET, CRANKCASE COVER 2	1	
6	6D0-15462-00-00	.GASKET, CRANKCASE COVER 3	1	
7	90119-06MA3-00	BOLT, WITH WASHER	36	
8	90465-06M88-00	CLAMP	1	
9	97095-06010-00	BOLT	1	
10	92995-06600-00	WASHER	1	
11	90465-08M23-00	CLAMP	1	
12	97095-06010-00	BOLT	1	
13	92995-06600-00	WASHER	1	
14	90464-09018-00	CLAMP	2	
15	90467-08M18-00	CLIP	7	
16	90445-09M30-00	HOSE (L630)	2	
17	90464-07008-00	CLAMP	1	
18	90445-09068-00	HOSE (L110)	2	
19	90465-11M10-00	CLAMP	4	
20	688-24378-00-00	PIPE, JOINT 3	1	

CONTINUED ON NEXT FRAME >

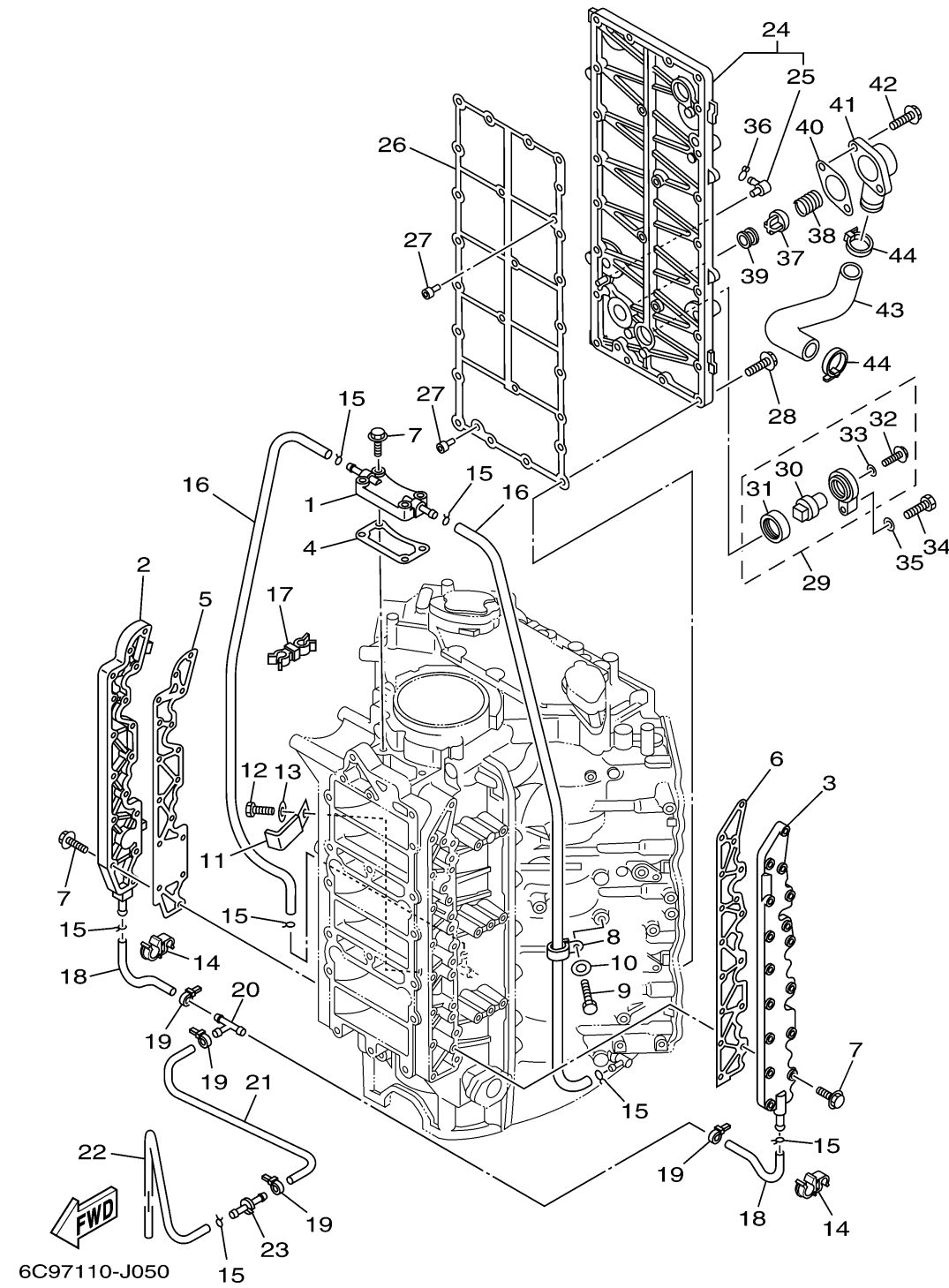
# CYLINDER CRANKCASE 3



Ref No.	Part Number	Description	Qty	Remarks
21	90445-09221-00	HOSE (L205)	1	
22	90445-09022-00	HOSE (L530)	1	
23	8H8-24376-00-00	PIPE, JOINT 1	1	
24	60V-41113-00-94	OUTER COVER, EXHAUST	1	
25	676-11372-00-00	.NIPPLE, HOSE	1	
26	60V-41112-00-00	.GASKET, EXHAUST INNER COVER	1	
27	60V-41267-00-00	BUSHING, JOINT	2	
28	90119-06MA3-00	BOLT, WITH WASHER	25	
29	60V-11301-00-00	ANODE COVER ASSY	1	
30	67F-11325-01-00	.ANODE	1	
31	67F-11328-00-00	.GROMMET, ANODE	1	
32	90105-06M07-00	.BOLT, FLANGE	1	
33	90430-06M03-00	.GASKET	1	
34	97075-08030-00	BOLT	1	
35	92995-08600-00	WASHER	1	
36	90467-08M18-00	CLIP	1	
37	60H-12416-00-00	VALVE, PRESSURE CONTROL	1	
38	90501-16M11-00	SPRING, COMPRESSION	1	
39	90480-20M05-00	GROMMET	1	
40	60V-11382-A0-00	.GASKET 2	1	

CONTINUED ON NEXT FRAME >

# CYLINDER CRANKCASE 3



Ref No.	Part Number	Description	Qty	Remarks
41	6G5-11372-00-1S	COVER, BYPASS 2	1	
42	97595-06420-00	BOLT, WITH WASHER	2	
43	61A-12576-00-00	HOSE 1	1	
44	90465-13M18-00	CLAMP	2	