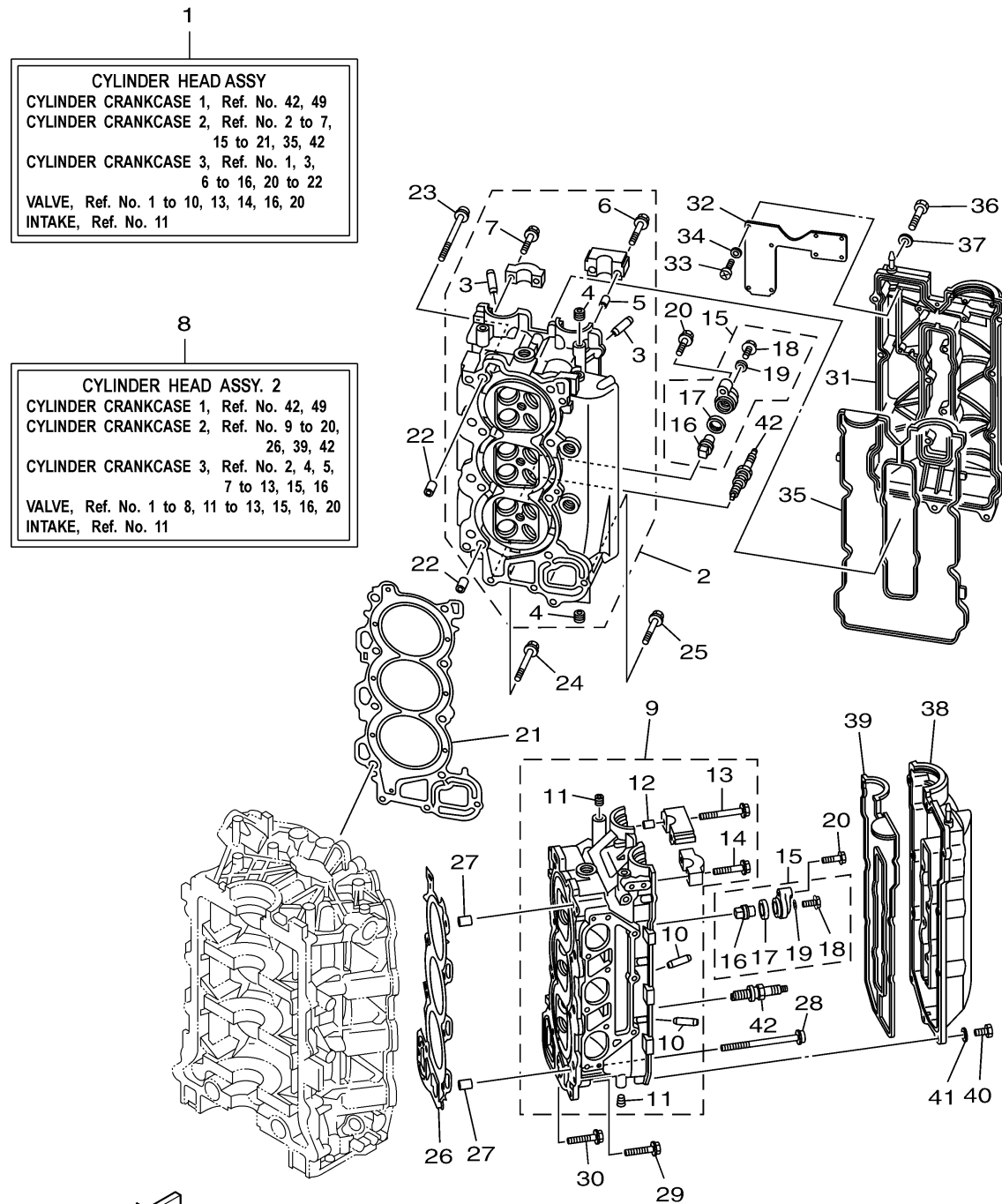


CYLINDER CRANKCASE 2

Ref No.	Part Number	Description	Qty	Remarks
1	69J-W009A-05-9S	CYLINDER HEAD COMPLETE	1	
2	69J-11110-01-00	CYLINDER HEAD ASSY	1	
3	69J-11133-10-00	..GUIDE, VALVE 1	12	
4	90344-51019-00	..PLUG, TAPER SCREW	5	
5	91809-08006-00	..PIN, DOWEL	2	
6	90119-07235-00	..BOLT/WASHER-CAM CAPS	2	
7	90119-07234-00	..BOLT, WITH WASHER	18	
8	69J-W009C-05-9S	CYLINDER HEAD 2 COMPLETE	1	
9	69J-11120-01-00	CYLINDER HEAD ASSY 2	1	
10	69J-11133-10-00	..GUIDE, VALVE 1	12	
11	90344-51019-00	..PLUG, TAPER SCREW	5	
12	91809-08006-00	..PIN, DOWEL	2	
13	90119-07235-00	..BOLT/WASHER-CAM CAPS	2	
14	90119-07234-00	..BOLT, WITH WASHER	14	
15	69J-11301-00-00	ANODE COVER ASSY	4	
16	67F-11325-01-00	..ANODE	1	
17	67F-11328-00-00	..GROMMET, ANODE	1	
18	90105-06M07-00	..BOLT, FLANGE	1	
19	90430-06M03-00	..GASKET	1	
20	97575-08540-00	BOLT, WITH WASHER	4	

CONTINUED ON NEXT FRAME >

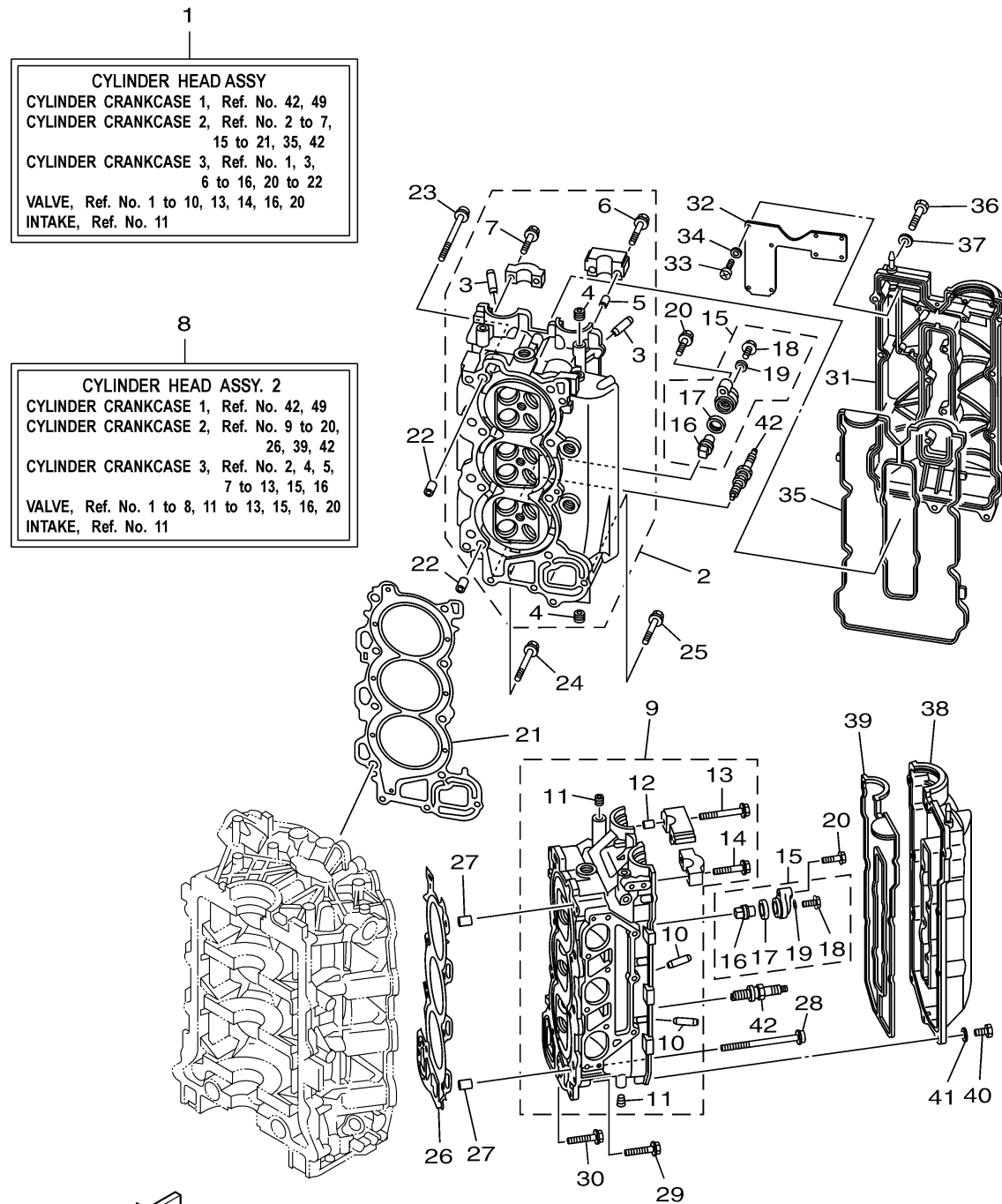


60LA110-K040

CYLINDER CRANKCASE 2

Ref No.	Part Number	Description	Qty	Remarks
21	69J-11181-03-00	.GASKET, CYLINDER HEAD 1	1	
22	90387-10M08-00	COLLAR	2	
23	90155-10001-00	SCREW, FLAT FILLISTER	8	
24	90119-08M91-00	BOLT, WITH WASHER	2	
25	90119-08021-00	BOLT, WITH WASHER	1	
26	69J-11182-03-00	.GASKET, CYLINDER HEAD 2	1	
27	90387-10M08-00	COLLAR	2	
28	90155-10001-00	SCREW, FLAT FILLISTER	8	
29	90119-08M91-00	BOLT, WITH WASHER	2	
30	90119-08021-00	BOLT, WITH WASHER	1	
31	69J-11191-00-9S	COVER, CYLINDER HEAD 1	1	
32	69J-11135-00-00	PLATE, BREATHER 3	1	
33	98507-04008-00	..SCREW, PAN HEAD	8	
34	92907-04600-00	.WASHER	8	
35	69J-11193-01-00	.GASKET, HEAD COVER 1	1	
36	97095-06030-00	BOLT	14	
37	92995-06600-00	WASHER	14	
38	69J-11192-00-9S	COVER, CYLINDER HEAD 2	1	
39	69J-11194-00-00	.GASKET, HEAD COVER 2	1	
40	97095-06030-00	BOLT	14	

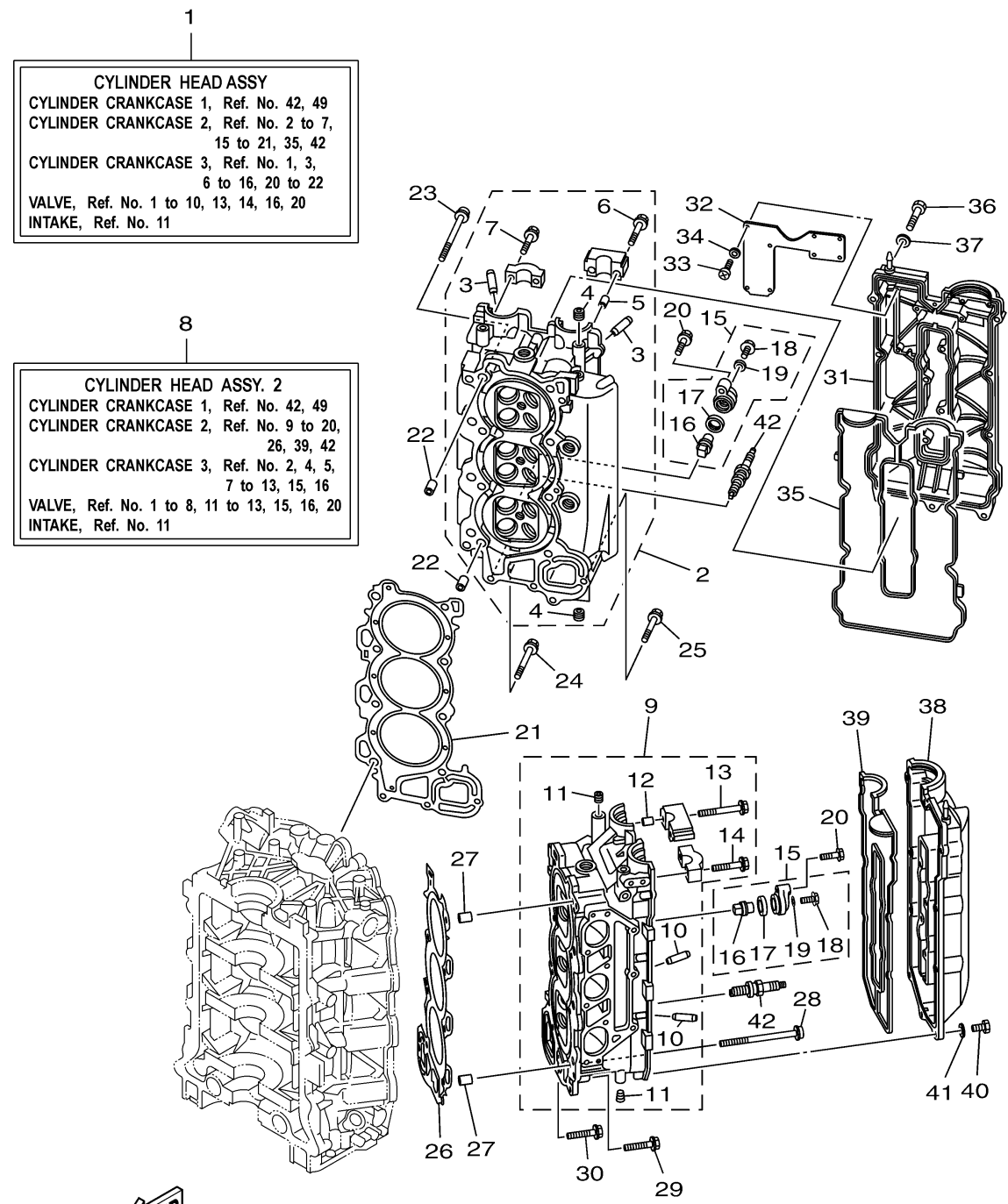
CONTINUED ON NEXT FRAME >



60LA110-K040

CYLINDER CRANKCASE 2

Ref No.	Part Number	Description	Qty	Remarks
41	92995-06600-00	WASHER	14	
42	LFR-5A110-00-00	PLUG, SPARK (NGK LFR5A-11)	6	



1
CYLINDER HEAD ASSY
 CYLINDER CRANKCASE 1, Ref. No. 42, 49
 CYLINDER CRANKCASE 2, Ref. No. 2 to 7,
 15 to 21, 35, 42
 CYLINDER CRANKCASE 3, Ref. No. 1, 3,
 6 to 16, 20 to 22
 VALVE, Ref. No. 1 to 10, 13, 14, 16, 20
 INTAKE, Ref. No. 11

8
CYLINDER HEAD ASSY. 2
 CYLINDER CRANKCASE 1, Ref. No. 42, 49
 CYLINDER CRANKCASE 2, Ref. No. 9 to 20,
 26, 39, 42
 CYLINDER CRANKCASE 3, Ref. No. 2, 4, 5,
 7 to 13, 15, 16
 VALVE, Ref. No. 1 to 8, 11 to 13, 15, 16, 20
 INTAKE, Ref. No. 11

FWD
 60LA110-K040