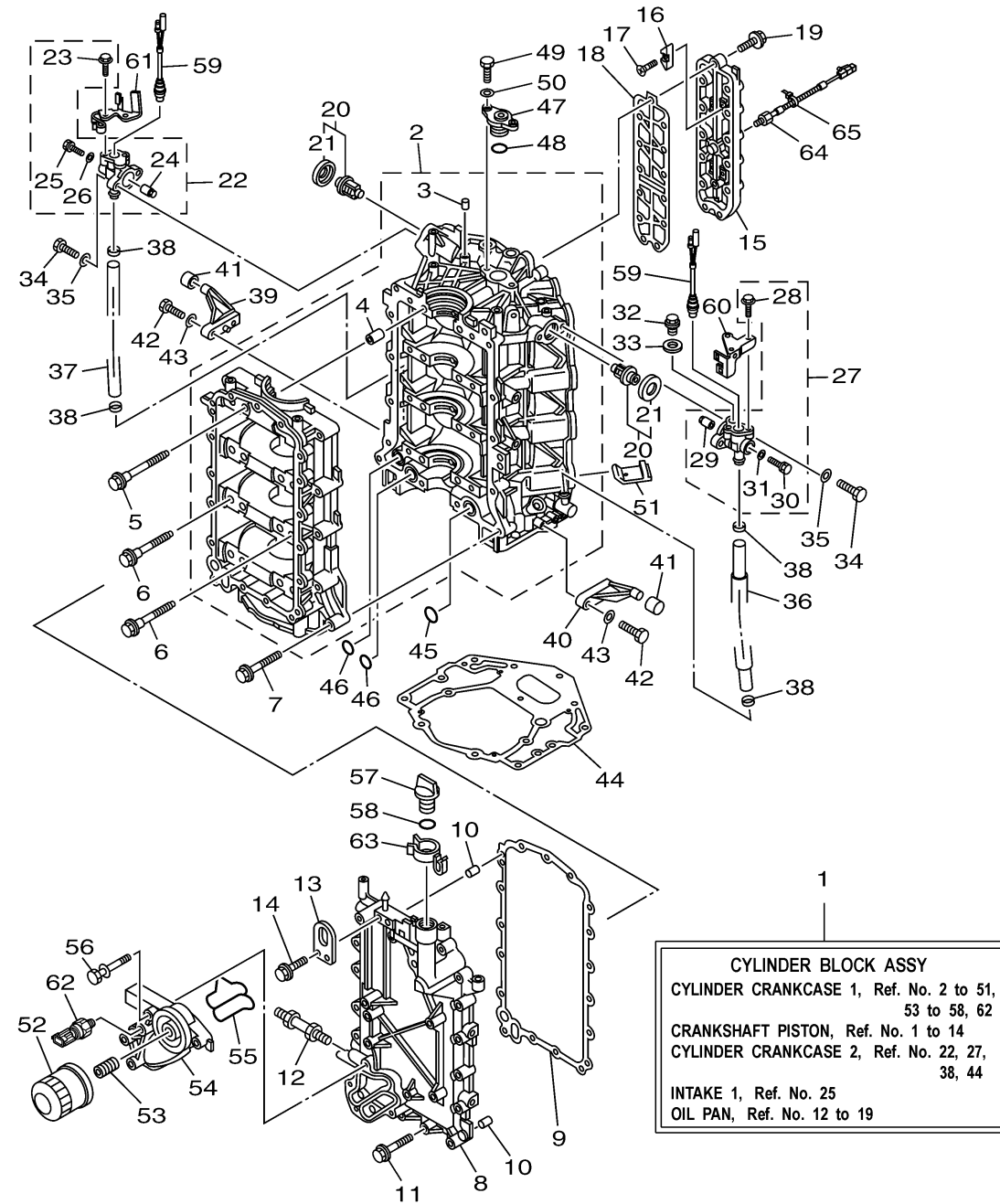


# CYLINDER CRANKCASE 1

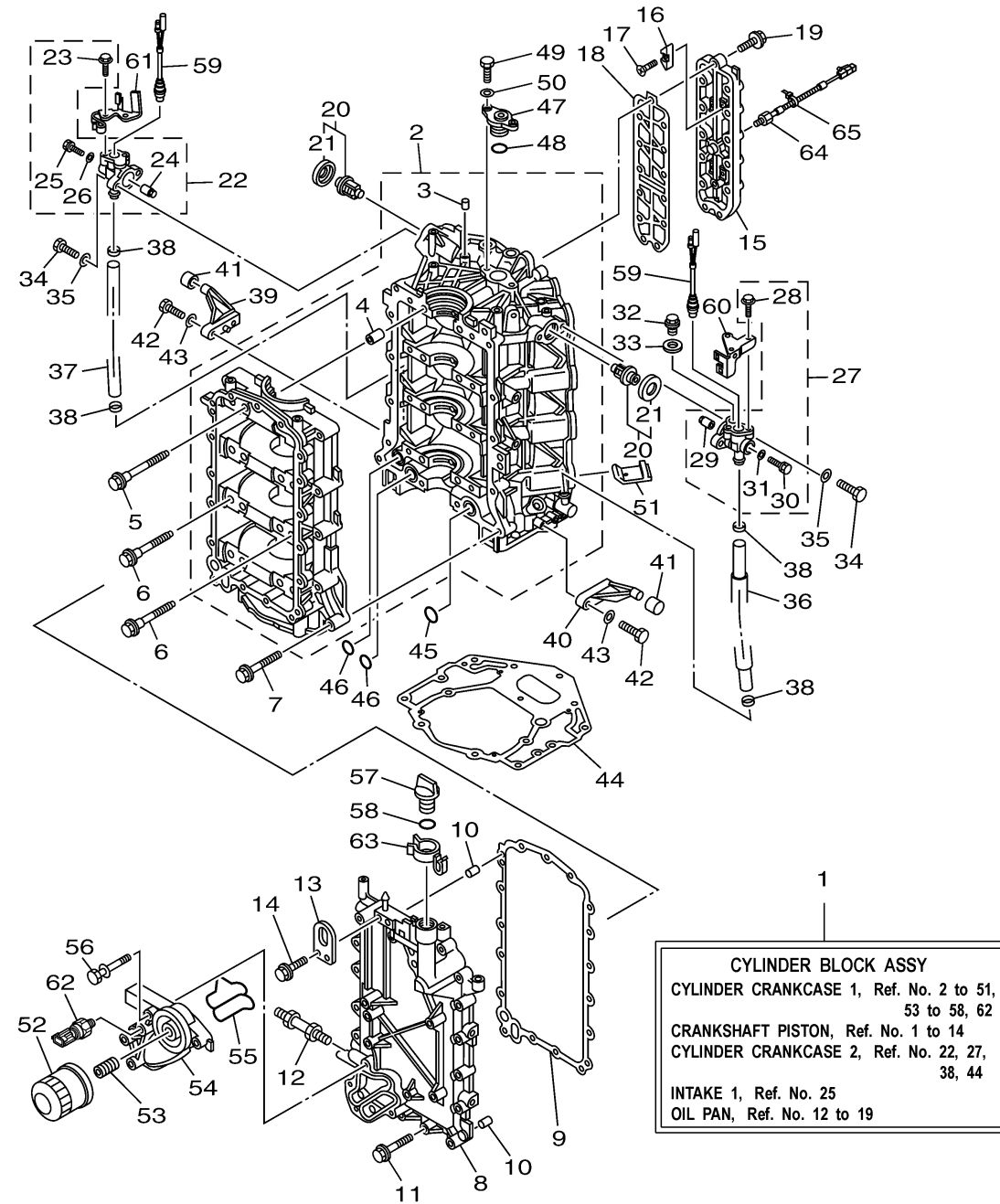


Ref No.	Part Number	Description	Qty	Remarks
1	6P2-W009B-04-9S	CYLINDER BLOCK ASSY	1	
1	6P2-W009B-05-9S	CYLINDER BLOCK ASSY	1	UR 6P2:1035161-
2	6P2-15100-02-9S	CRANKCASE ASSY	1	
2	6P2-15100-03-9S	CRANKCASE ASSY	1	UR 6P2:1035161-
3	93606-12019-00	. PIN, DOWEL	1	
4	91814-18001-00	. .PIN, DOWEL	8	
5	69J-15187-00-00	BOLT	8	
6	69J-15481-00-00	BOLT 1	8	
7	90119-08M66-00	BOLT, WITH WASHER	13	
8	6P2-15411-01-9S	COVER, CRANKCASE 1	1	
9	69J-15451-00-00	.GASKET, CRANKCASE COVER 1	1	
10	93606-12019-00	PIN, DOWEL	2	
11	90119-08009-00	BOLT, WITH WASHER	17	
12	90116-10027-00	BOLT, STUD	1	
13	69J-11119-00-00	HANGER, ENGINE	1	
14	90105-06M09-00	BOLT, FLANGE	2	
15	6P2-1131C-00-9S	COVER, JOINT	1	
16	6E5-11325-00-00	ANODE	4	
17	98780-04015-00	SCREW, FLAT HEAD	4	
18	6P2-1131B-00-00	.GASKET, COVER	1	

CONTINUED ON NEXT FRAME >

6P27110-K020

# CYLINDER CRANKCASE 1

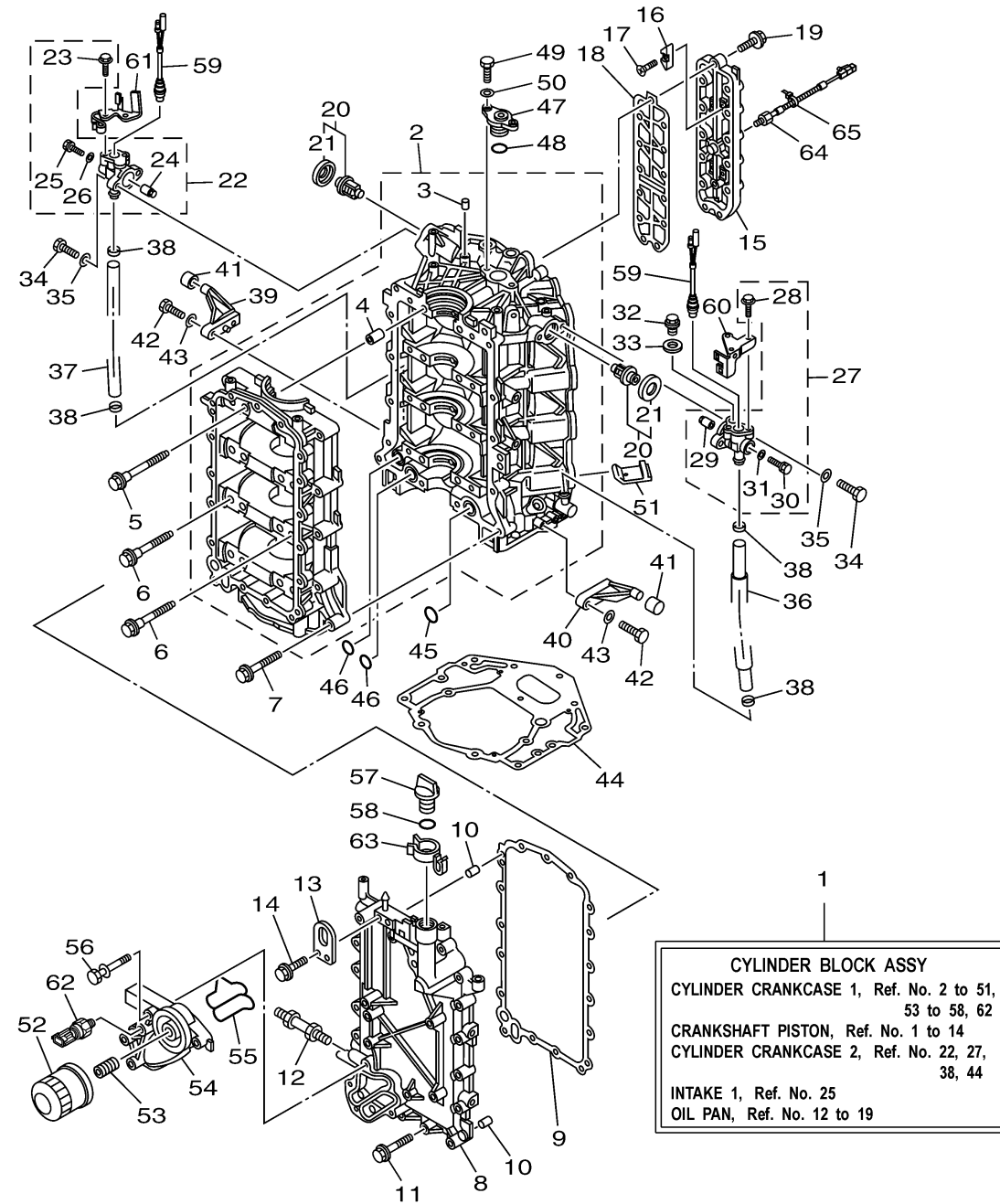


Ref No.	Part Number	Description	Qty	Remarks
19	90119-06MA4-00	BOLT, WITH WASHER	13	
20	67F-12411-01-00	THERMOSTAT	2	
21	67F-12412-00-00	. .SEAL, THERMOSTAT	1	
22	6P2-1240H-00-9S	ANODE ASSY	1	
23	90109-06M80-00	. BOLT	2	
24	6P3-11325-00-00	. .ANODE	1	
25	90105-05012-00	. .BOLT, FLANGE	1	
26	90430-05002-00	. .GASKET	1	
27	6P3-1240H-00-9S	ANODE ASSY	1	
28	90109-06M80-00	. BOLT	2	
29	6P3-11325-00-00	. .ANODE	1	
30	90105-05012-00	. .BOLT, FLANGE	1	
31	90430-05002-00	. .GASKET	1	
32	90340-14M06-00	PLUG, STRAIGHT SCREW	1	
33	90430-14115-00	.GASKET	1	
34	97095-06025-00	BOLT	4	
35	92995-06600-00	WASHER	4	
36	6P2-1243A-00-00	HOSE 1	1	
37	69J-1243E-00-00	HOSE 2	1	
38	90465-11M10-00	CLAMP	4	

CONTINUED ON NEXT FRAME >

**FWD**  
6P27110-K020

# CYLINDER CRANKCASE 1

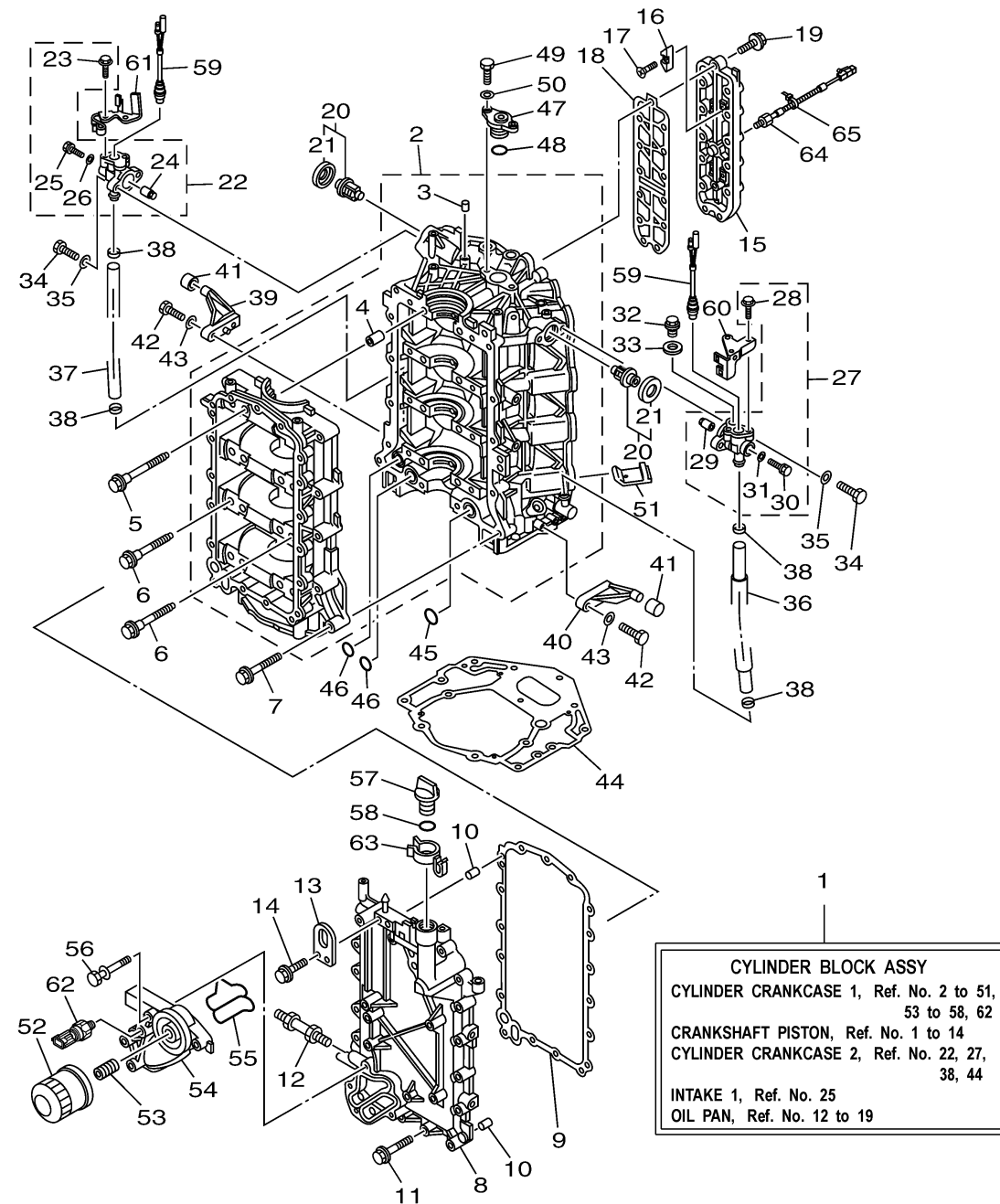


Ref No.	Part Number	Description	Qty	Remarks
39	67F-42761-01-00	STOPPER	1	
40	6P2-42761-00-00	STOPPER	1	
41	68F-44533-01-00	DAMPER, UPPER MOUNT RUBBER	2	
42	97095-06025-00	BOLT	4	
43	92995-06600-00	WASHER	4	
44	69J-11351-11-00	.GASKET, CYLINDER	1	
45	93210-25552-00	O-RING	1	
46	93210-19MJ1-00	.O-RING	2	
47	69J-11313-00-00	PLUG, BLIND	1	
48	93210-25647-00	.O-RING	1	
49	97095-06020-00	BOLT	2	
50	92995-06600-00	WASHER	2	
51	69J-14664-00-00	.GROMMET, WATER SHUT	2	
52	69J-13440-01-00	ELEMENT ASSY, OIL CLEANER	1	
53	69J-12858-00-00	BOLT, UNION	1	
54	6P2-13446-00-9S	CONNECTOR	1	
55	6P2-13477-00-00	.GASKET	1	
56	90119-06025-00	BOLT, WITH WASHER	5	
57	6G8-15363-00-00	PLUG, OIL	1	
58	93210-24M79-00	.O-RING	1	

CONTINUED ON NEXT FRAME >

  
6P27110-K020

# CYLINDER CRANKCASE 1



6P27110-K020

Ref No.	Part Number	Description	Qty	Remarks
59	6P2-82560-01-00	THERMO SWITCH ASSY	2	
60	6P2-82588-00-00	PLATE	1	
61	6P2-82389-00-00	PLATE 2	1	
62	6AW-83651-00-00	SENDER, OIL PRESSURE	1	
63	6P2-83597-00-00	CLAMP	1	
64	6P2-85780-00-00	SENSOR, KNOCK	1	
65	90465-11M10-00	CLAMP	1	