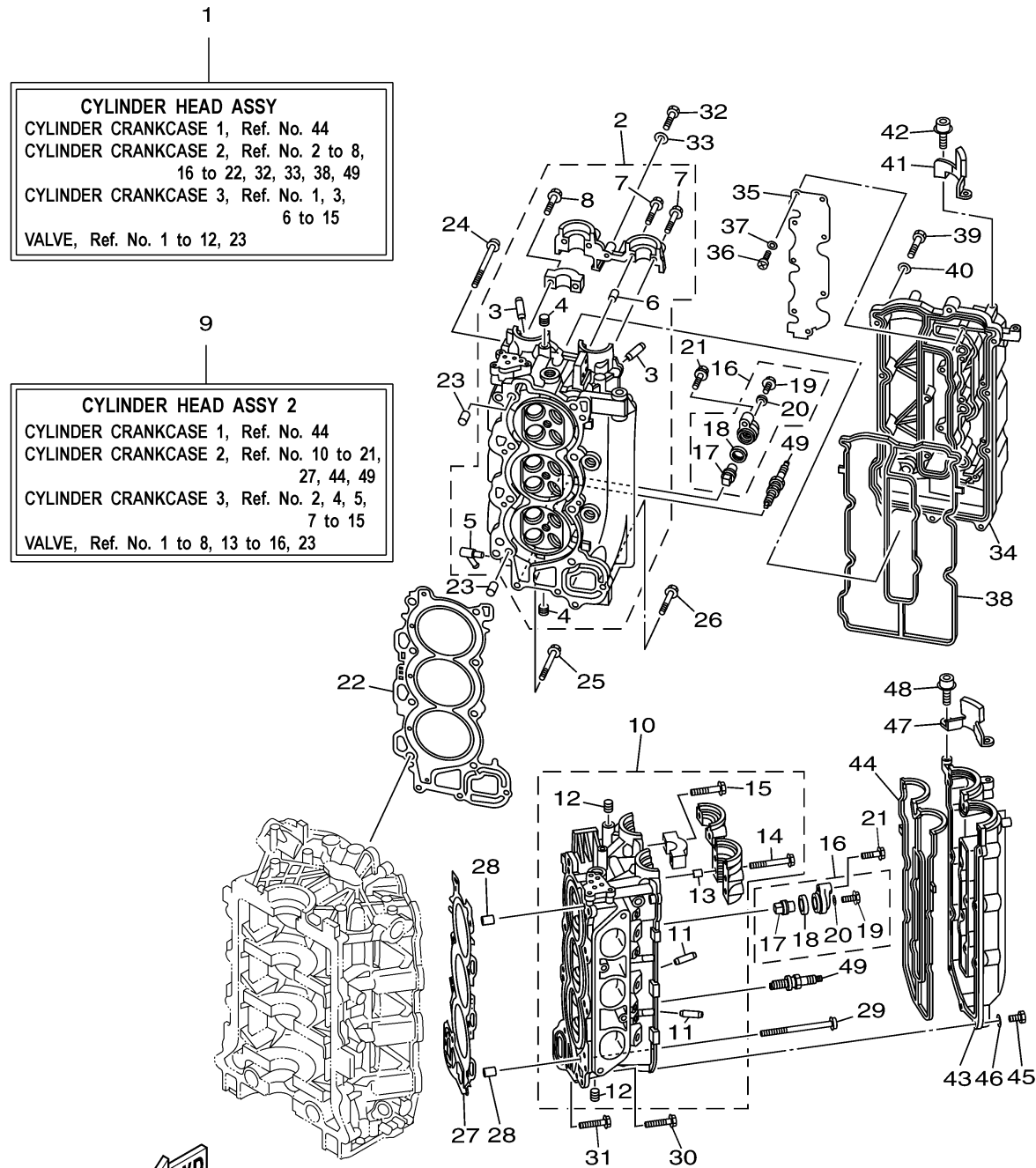


CYLINDER CRANKCASE 2

Ref No.	Part Number	Description	Qty	Remarks
1	6P2-W009A-02-9S	CYLINDER HEAD COMPLETE	1	
2	6P2-11110-01-00	CYLINDER HEAD ASSY	1	
3	69J-11133-10-00	..GUIDE, VALVE 1	12	
4	90344-51019-00	..PLUG, TAPER SCREW	7	
5	676-11372-00-00	..NIPPLE, HOSE	1	
6	91809-08006-00	..PIN, DOWEL	2	
7	90119-07001-00	..BOLT, WITH WASHER	4	
8	90119-07234-00	..BOLT, WITH WASHER	14	
9	6P2-W009C-02-9S	CYLINDER HEAD 2 COMPLETE	1	
10	6P2-11120-01-00	CYLINDER HEAD ASSY 2	1	
11	69J-11133-10-00	..GUIDE, VALVE 1	12	
12	90344-51019-00	..PLUG, TAPER SCREW	3	
13	91809-08006-00	..PIN, DOWEL	4	
14	90119-07235-00	..BOLT/WASHER-CAM CAPS	6	
15	90119-07234-00	..BOLT, WITH WASHER	12	
16	69J-11301-00-00	ANODE COVER ASSY	4	
17	67F-11325-01-00	..ANODE	1	
18	67F-11328-00-00	..GROMMET, ANODE	1	
19	90105-06M07-00	..BOLT, FLANGE	1	
20	90430-06M03-00	..GASKET	1	

CONTINUED ON NEXT FRAME >

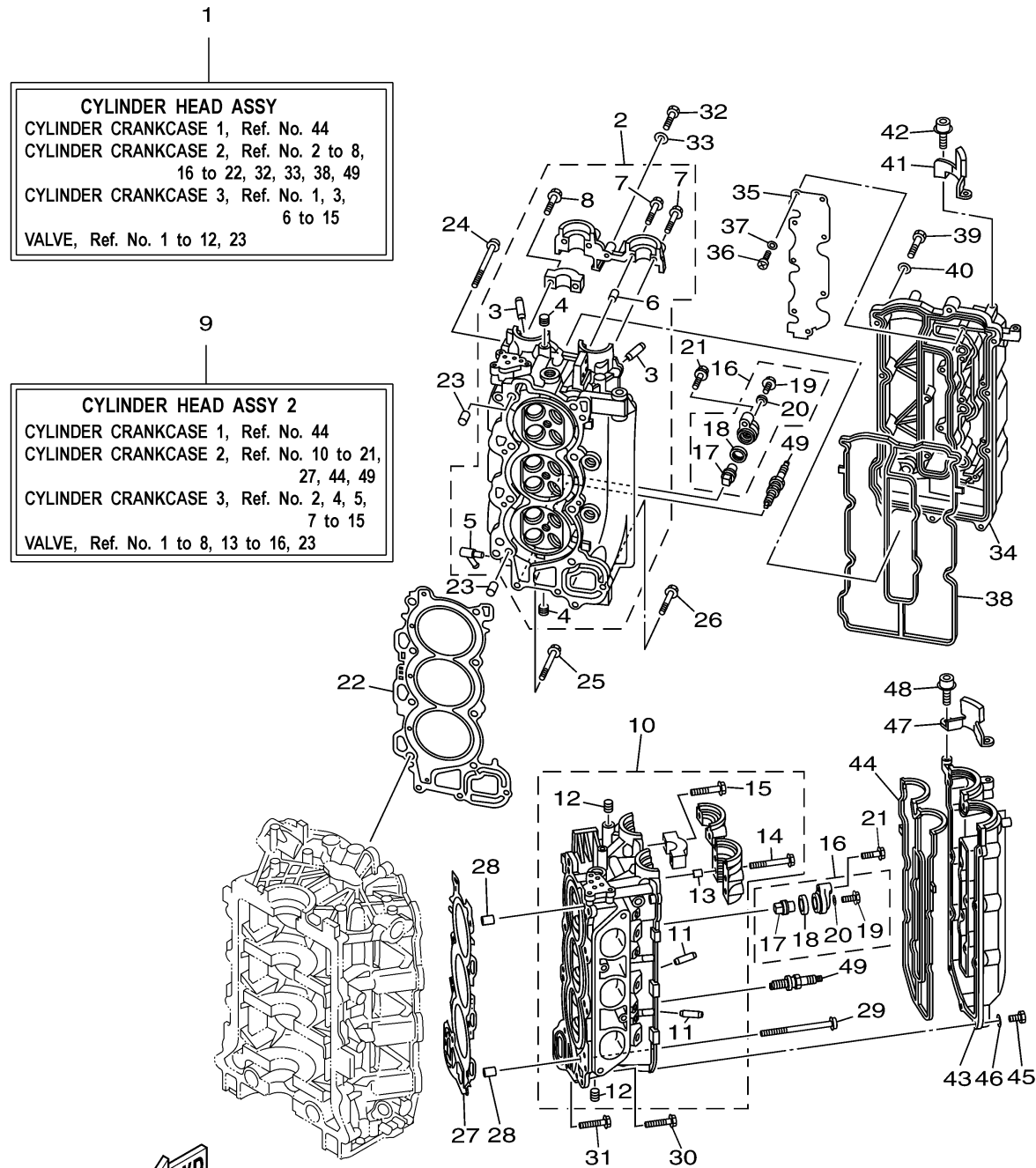


6P27110-K040

CYLINDER CRANKCASE 2

Ref No.	Part Number	Description	Qty	Remarks
21	97575-08540-00	BOLT, WITH WASHER	4	
22	6P2-11181-00-00	.GASKET, CYLINDER HEAD 1	1	
23	90387-10M08-00	COLLAR	2	
24	90155-10004-00	SCREW, FLAT FILLISTER	8	
25	90119-08M91-00	BOLT, WITH WASHER	2	
26	90119-08021-00	BOLT, WITH WASHER	1	
27	6P2-11182-00-00	.GASKET, CYLINDER HEAD 2	1	
28	90387-10M08-00	COLLAR	2	
29	90155-10004-00	SCREW, FLAT FILLISTER	8	
30	90119-08M91-00	BOLT, WITH WASHER	2	
31	90119-08021-00	BOLT, WITH WASHER	1	
32	97095-06030-00	BOLT	1	
33	92995-06600-00	WASHER	1	
34	6P2-11191-00-9S	COVER, CYLINDER HEAD 1	1	
35	6P2-11135-00-00	PLATE, BREATHER 3	1	
36	98507-04008-00	..SCREW, PAN HEAD	9	
37	92907-04600-00	.WASHER	9	
38	6P2-11193-00-00	.GASKET, HEAD COVER 1	1	
39	97095-06030-00	BOLT	14	
40	92995-06600-00	WASHER	14	

CONTINUED ON NEXT FRAME >



1
CYLINDER HEAD ASSY
CYLINDER CRANKCASE 1, Ref. No. 44
CYLINDER CRANKCASE 2, Ref. No. 2 to 8,
16 to 22, 32, 33, 38, 49
CYLINDER CRANKCASE 3, Ref. No. 1, 3,
6 to 15
VALVE, Ref. No. 1 to 12, 23

9
CYLINDER HEAD ASSY 2
CYLINDER CRANKCASE 1, Ref. No. 44
CYLINDER CRANKCASE 2, Ref. No. 10 to 21,
27, 44, 49
CYLINDER CRANKCASE 3, Ref. No. 2, 4, 5,
7 to 15
VALVE, Ref. No. 1 to 8, 13 to 16, 23

FWD
6P27110-K040

CYLINDER CRANKCASE 2

Ref No.	Part Number	Description	Qty	Remarks
41	6P2-15142-00-00	GUIDE 1	1	
42	90110-06150-00	BOLT, HEXAGON SOCKET HEAD	2	
43	6P2-11192-00-9S	COVER, CYLINDER HEAD 2	1	
44	6P2-11194-00-00	.GASKET, HEAD COVER 2	1	
45	97095-06030-00	BOLT	14	
46	92995-06600-00	WASHER	14	
47	6P2-15143-00-00	GUIDE	1	
48	90110-06150-00	BOLT, HEXAGON SOCKET HEAD	2	
49	LFR-6A110-00-00	PLUG, SPARK (NGK LFR6A-11)	6	

