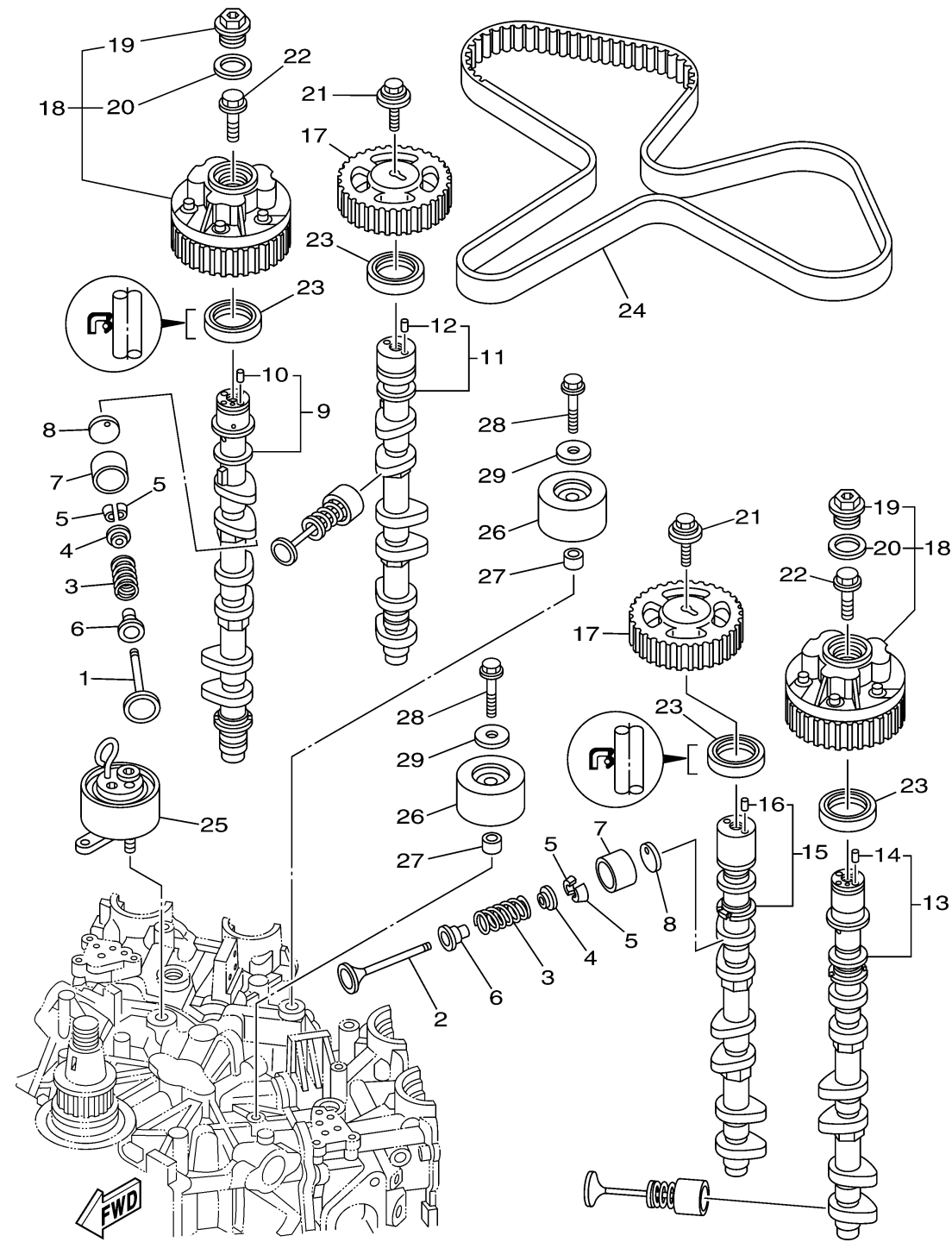


6P24100-G061

VALVE

| Ref No. | Part Number | Description | Qty | Remarks |
|---------|-----------------|------------------------|-----|---------|
| 1 | 6P2-12111-00-00 | VALVE, INTAKE | 12 | |
| 2 | 6P2-12121-00-00 | VALVE, EXHAUST | 12 | |
| 3 | 69J-12113-01-00 | SPRING, VALVE INNER | 24 | |
| 4 | 69J-12117-01-00 | RETAINER, VALVE SPRING | 24 | |
| 5 | 69J-12118-00-00 | COTTER, VALVE | 48 | |
| 6 | 69J-12119-00-00 | SEAL, VALVE STEM | 24 | |
| 7 | 69J-12153-00-00 | LIFTER, VALVE | 24 | |
| 8 | 6S1-12168-30-00 | PAD, ADJUSTING (2.380) | 24 | UR |
| 8 | 6S1-12169-00-00 | PAD, ADJUSTING (2.960) | 24 | UR |
| 8 | 6S1-12168-Y0-00 | PAD, ADJUSTING (2.940) | 24 | UR |
| 8 | 6S1-12168-X0-00 | PAD, ADJUSTING (2.920) | 24 | UR |
| 8 | 6S1-12168-W0-00 | PAD, ADJUSTING (2.900) | 24 | UR |
| 8 | 6S1-12168-V0-00 | PAD, ADJUSTING (2.880) | 24 | UR |
| 8 | 6S1-12168-U0-00 | PAD, ADJUSTING (2.860) | 24 | UR |
| 8 | 6S1-12168-T0-00 | PAD, ADJUSTING (2.840) | 24 | UR |
| 8 | 6S1-12168-S0-00 | PAD, ADJUSTING (2.820) | 24 | UR |
| 8 | 6S1-12168-R0-00 | PAD, ADJUSTING (2.800) | 24 | UR |
| 8 | 6S1-12168-P0-00 | PAD, ADJUSTING (2.780) | 24 | UR |
| 8 | 6S1-12168-N0-00 | PAD, ADJUSTING (2.760) | 24 | UR |
| 8 | 6S1-12168-M0-00 | PAD, ADJUSTING (2.740) | 24 | UR |

CONTINUED ON NEXT FRAME >

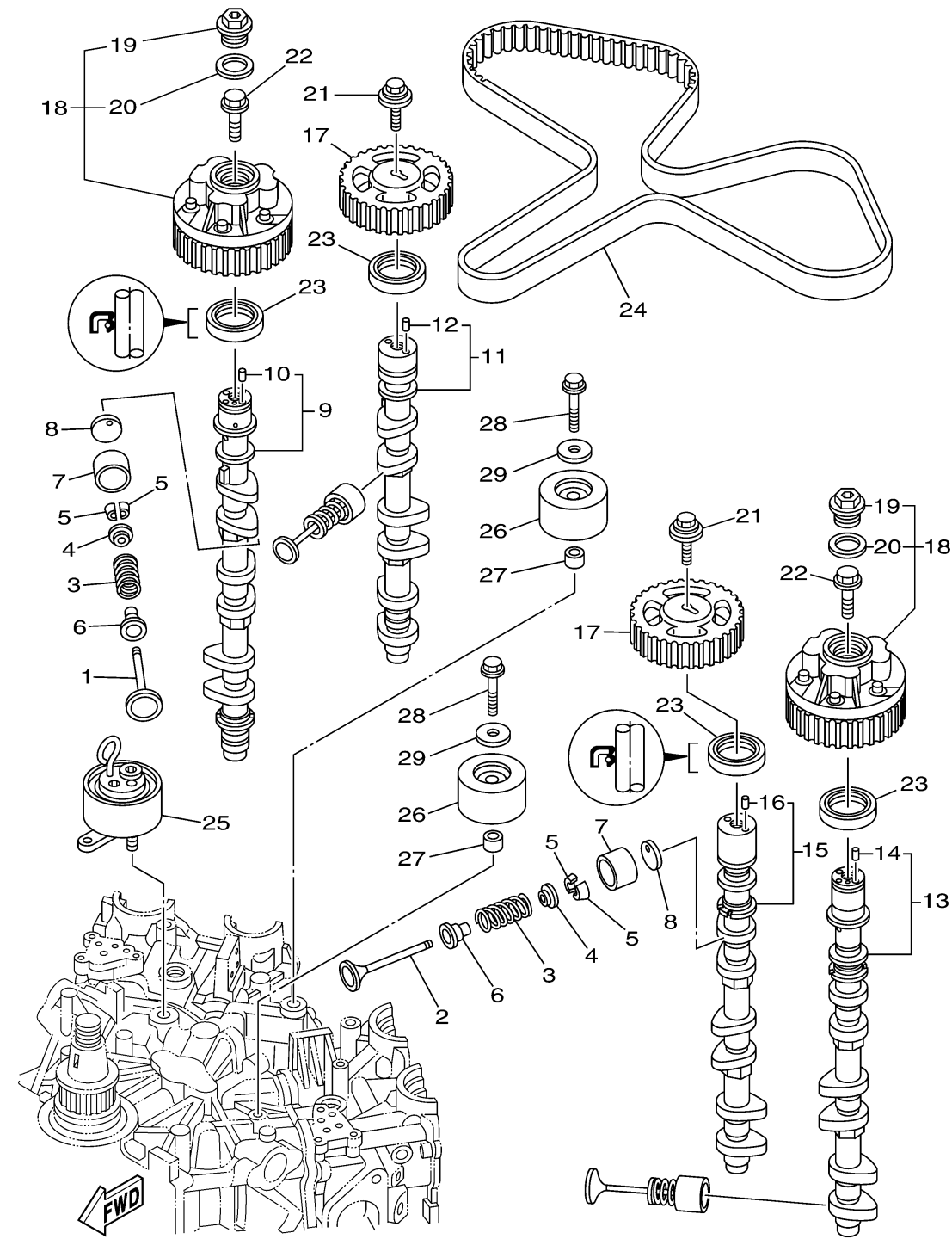


6P24100-G061

VALVE

| Ref No. | Part Number | Description | Qty | Remarks |
|---------|-----------------|------------------------|-----|---------|
| 8 | 6S1-12168-L0-00 | PAD, ADJUSTING (2.720) | 24 | UR |
| 8 | 6S1-12168-K0-00 | PAD, ADJUSTING (2.700) | 24 | UR |
| 8 | 6S1-12168-J0-00 | PAD, ADJUSTING (2.680) | 24 | UR |
| 8 | 6S1-12168-H0-00 | PAD, ADJUSTING (2.660) | 24 | UR |
| 8 | 6S1-12168-G0-00 | PAD, ADJUSTING (2.640) | 24 | UR |
| 8 | 6S1-12168-F0-00 | PAD, ADJUSTING (2.620) | 24 | UR |
| 8 | 6S1-12168-E0-00 | PAD, ADJUSTING (2.600) | 24 | UR |
| 8 | 6S1-12168-D0-00 | PAD, ADJUSTING (2.580) | 24 | UR |
| 8 | 6S1-12168-00-00 | PAD, ADJUSTING (2.320) | 24 | UR |
| 8 | 6S1-12168-10-00 | PAD, ADJUSTING (2.340) | 24 | UR |
| 8 | 6S1-12168-20-00 | PAD, ADJUSTING (2.360) | 24 | UR |
| 8 | 6S1-12168-40-00 | PAD, ADJUSTING (2.400) | 24 | UR |
| 8 | 6S1-12168-50-00 | PAD, ADJUSTING (2.420) | 24 | UR |
| 8 | 6S1-12168-60-00 | PAD, ADJUSTING (2.440) | 24 | UR |
| 8 | 6S1-12168-70-00 | PAD, ADJUSTING (2.460) | 24 | UR |
| 8 | 6S1-12168-80-00 | PAD, ADJUSTING (2.480) | 24 | UR |
| 8 | 6S1-12168-90-00 | PAD, ADJUSTING (2.500) | 24 | UR |
| 8 | 6S1-12168-A0-00 | PAD, ADJUSTING (2.520) | 24 | UR |
| 8 | 6S1-12168-B0-00 | PAD, ADJUSTING (2.540) | 24 | UR |
| 8 | 6S1-12168-C0-00 | PAD, ADJUSTING (2.560) | 24 | UR |

CONTINUED ON NEXT FRAME >

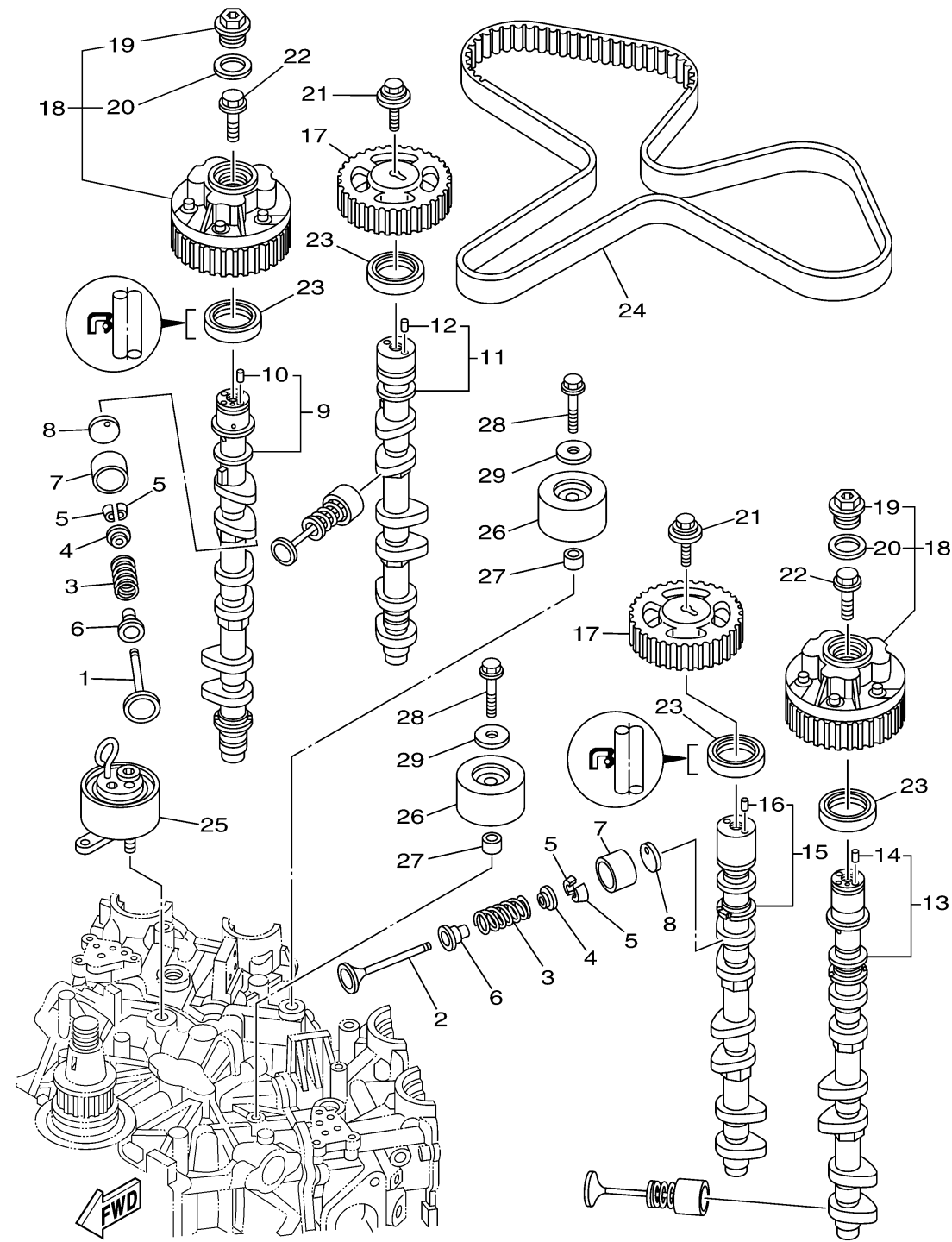


6P24100-G061

VALVE

| Ref No. | Part Number | Description | Qty | Remarks |
|---------|-----------------|-------------------|-----|---------|
| 9 | 6P2-12171-02-00 | CAMSHAFT 1 | 1 | |
| 10 | 93605-10108-00 | . PIN, DOWEL | 1 | |
| 11 | 6P2-12181-01-00 | CAMSHAFT 2 | 1 | |
| 12 | 93605-10108-00 | . PIN, DOWEL | 1 | |
| 13 | 6P2-12172-02-00 | CAMSHAFT 3 | 1 | |
| 14 | 93605-10108-00 | . PIN, DOWEL | 1 | |
| 15 | 6P2-12182-01-00 | CAMSHAFT 4 | 1 | |
| 16 | 93605-10108-00 | . PIN, DOWEL | 1 | |
| 17 | 6P2-11537-01-00 | GEAR, DRIVEN | 2 | |
| 18 | 6P2-12645-10-00 | PULLEY ASSY 1 | 2 | |
| 19 | 6P2-12623-00-00 | . .BOLT | 1 | |
| 20 | 6P2-12663-00-00 | . .GASKET | 1 | |
| 21 | 68V-12157-00-00 | BOLT | 2 | |
| 22 | 6P2-12615-00-00 | BOLT | 2 | |
| 23 | 93102-38008-00 | .OIL SEAL | 4 | |
| 24 | 6P2-46241-00-00 | BELT | 1 | |
| 25 | 6P2-11590-00-00 | TENSIONER ASSY | 1 | |
| 26 | 6P2-15512-00-00 | GEAR, IDLER 1 | 2 | |
| 27 | 90387-10M08-00 | COLLAR | 2 | |
| 28 | 90119-10M07-00 | BOLT, WITH WASHER | 2 | |

CONTINUED ON NEXT FRAME >



6P24100-G061

VALVE

| Ref No. | Part Number | Description | Qty | Remarks |
|---------|----------------|---------------|-----|---------|
| 29 | 90201-10M01-00 | WASHER, PLATE | 2 | |