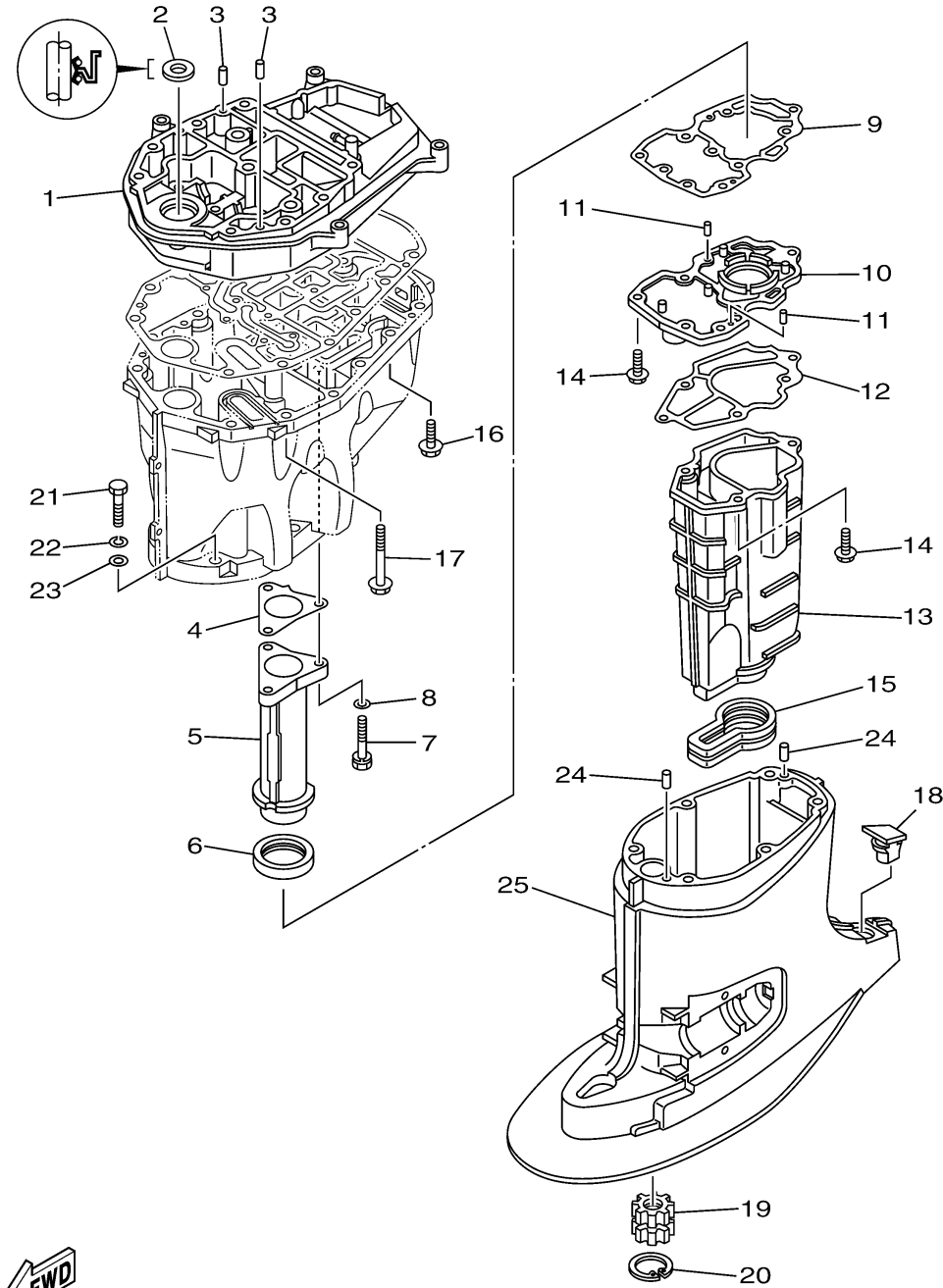


UPPER CASING



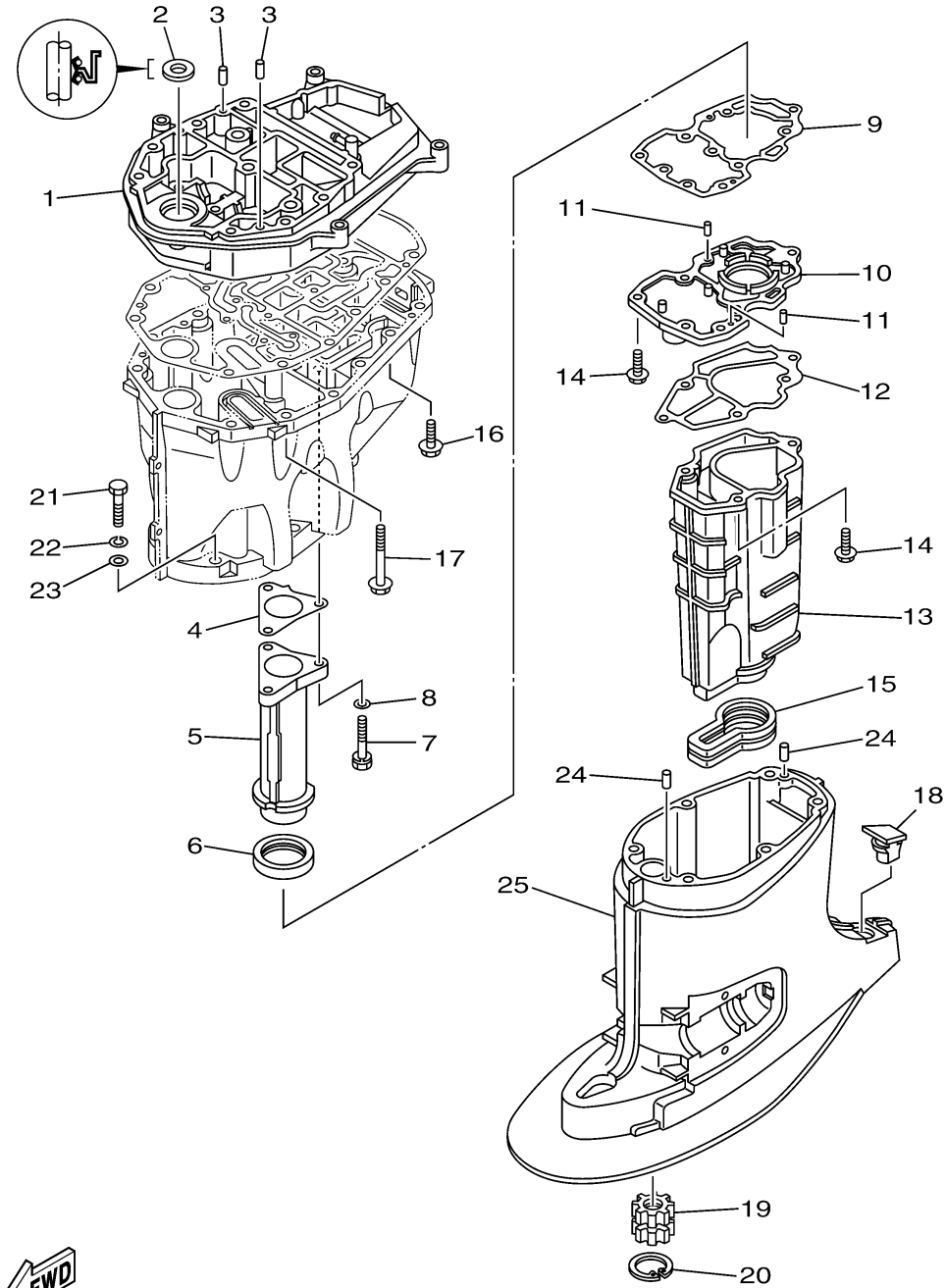
Ref No.	Part Number	Description	Qty	Remarks
1	6C5-41137-01-CA	GUIDE, EXHAUST	1	
2	93103-18011-00	.OIL SEAL	1	
3	93608-12M05-00	PIN, DOWEL	2	
4	6C5-41133-00-00	.GASKET, EXHAUST MANIFOLD 1	1	
5	6C5-41131-00-CA	MANIFOLD, EXT. 1	1	
6	6C5-46132-00-00	.GASKET 1	1	
7	90119-06261-00	BOLT, WITH WASHER	3	
8	90201-06015-00	WASHER, PLATE	3	
9	6C5-41134-00-00	.GASKET, EXHAUST MANIFOLD	1	
10	6C5-45181-00-CA	PLATE	1	
11	93604-10M03-00	.PIN, DOWEL	2	
12	6C5-41135-00-00	.GASKET, EXHAUST MANIFOLD	1	
13	6C5-14711-00-CA	MUFFLER 1	1	
14	97575-06525-00	BOLT, WITH WASHER	6	
15	6C5-45123-00-00	.GASKET, MUFFLER	1	
16	90119-08102-00	BOLT, WITH WASHER	4	
17	90119-08132-00	BOLT, WITH WASHER	8	
18	6C5-45155-00-00	CAP	1	
19	69W-45318-00-00	BUSHING, DRIVE SHAFT	1	
20	93420-36M01-00	CIRCLIP	1	

CONTINUED ON NEXT FRAME >


6C17110-K260

UPPER CASING

Ref No.	Part Number	Description	Qty	Remarks
21	97075-10045-00	BOLT	6	
22	92995-10100-00	WASHER	6	
23	92995-10600-00	WASHER	6	
24	93606-12019-00	PIN, DOWEL	2	
25	6C5-45111-00-8D	CASING, UPPER	1	




6C17110-K260