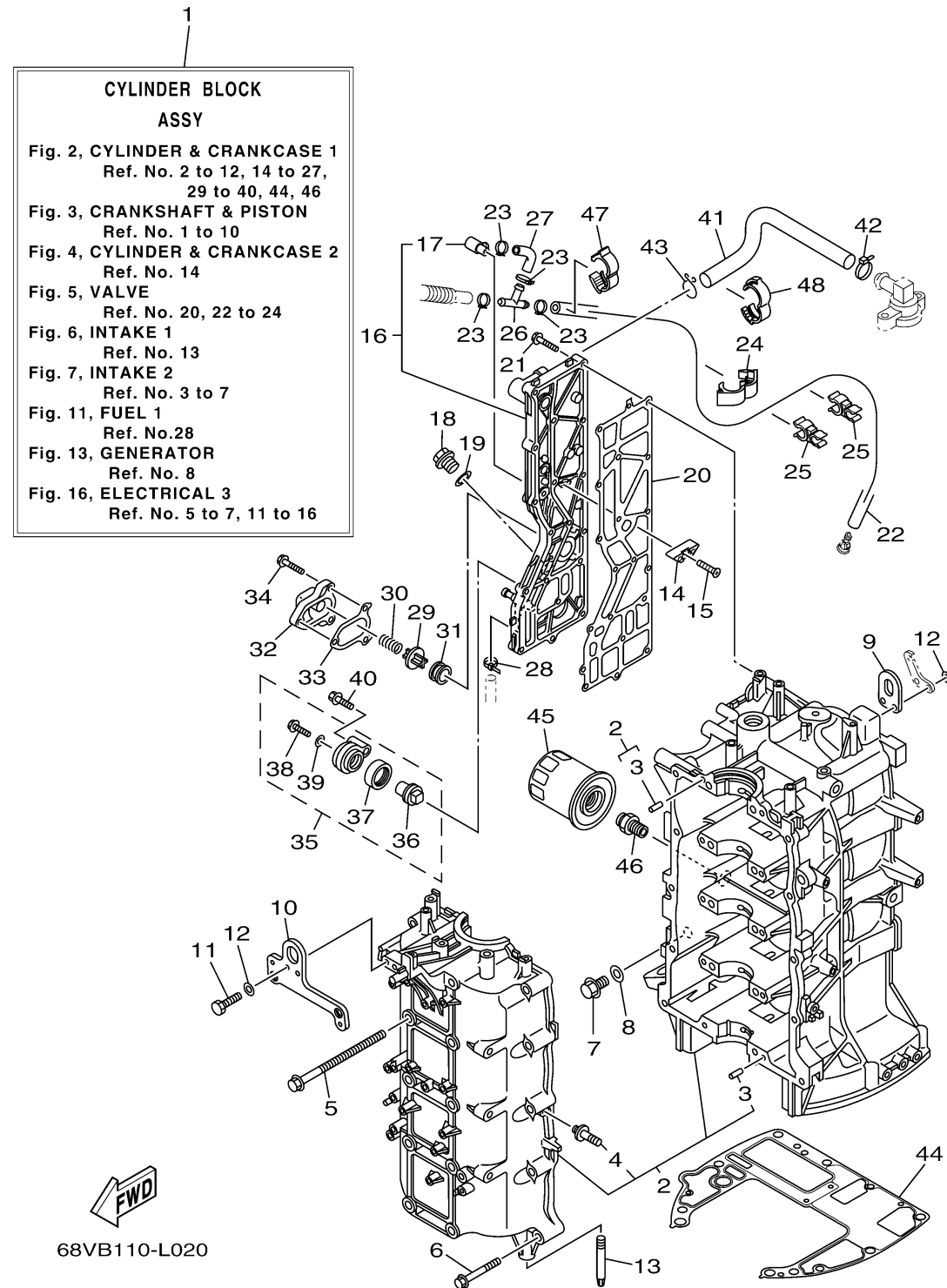


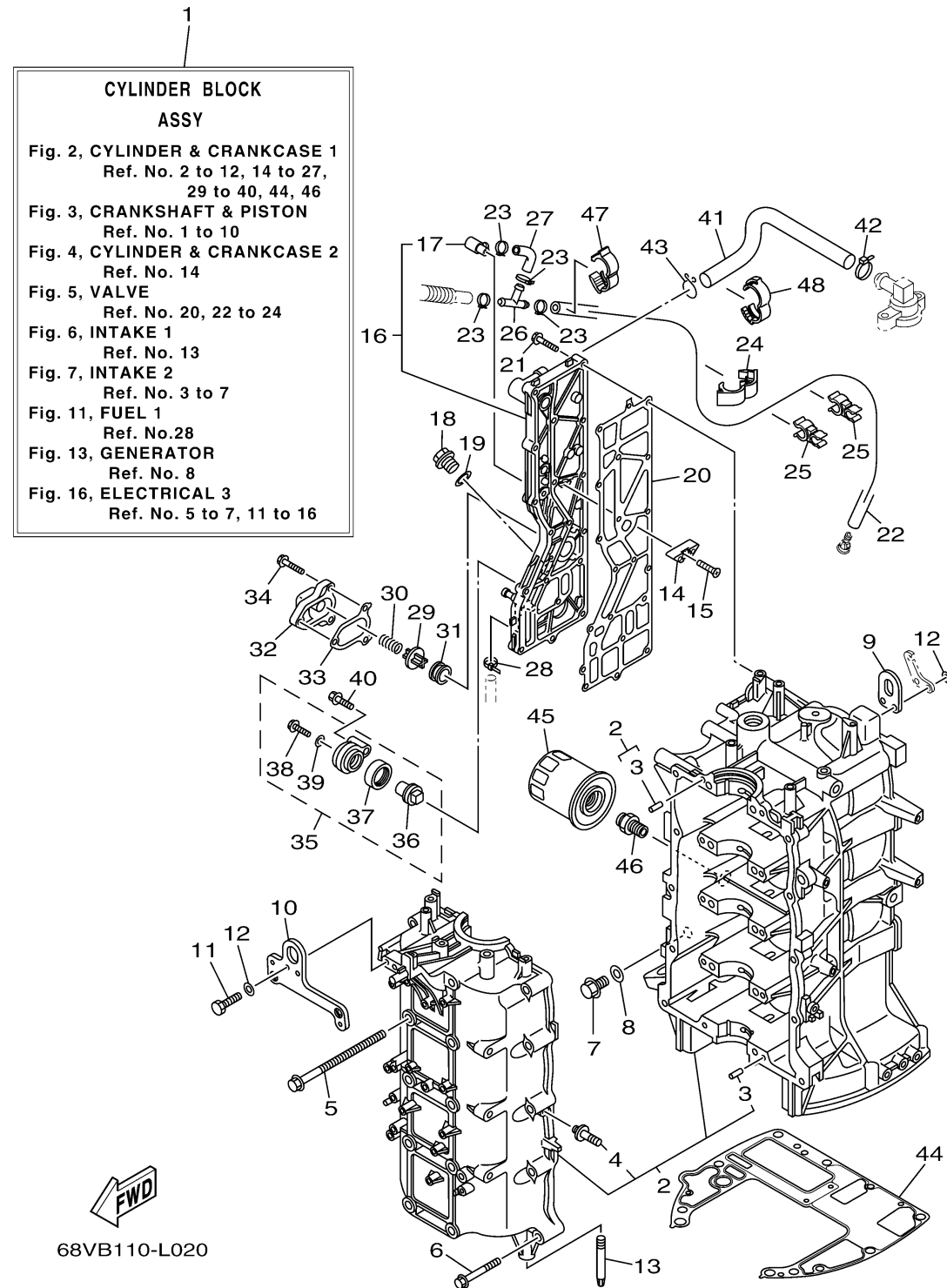
CYLINDER CRANKCASE 1



Ref No.	Part Number	Description	Qty	Remarks
1	68V-W009B-11-9S	CYLINDER BLOCK ASSY	1	
2	68V-15100-10-00	CRANKCASE ASSY	1	
3	93606-12019-00	. PIN, DOWEL	10	
4	68V-44581-01-00	. .BOLT	1	
5	90119-10M88-00	BOLT, WITH WASHER	10	
6	90119-08M66-00	BOLT, WITH WASHER	10	
7	90340-14M06-00	PLUG, STRAIGHT SCREW	1	
8	90430-14115-00	.GASKET	1	
9	62Y-11119-00-00	HANGER, ENGINE	1	
10	68V-11119-00-00	HANGER, ENGINE	1	
11	97095-06020-00	BOLT	4	
12	92995-06600-00	WASHER	4	
13	67F-15142-00-00	GUIDE 1	2	
14	6E5-11325-00-00	ANODE	3	
15	98780-04016-00	SCREW, FLAT HEAD	3	
16	6D8-41113-40-9S	OUTER COVER, EXHAUST	1	
17	676-11372-00-00	. .NIPPLE, HOSE	1	
18	90340-18M09-00	.PLUG, STRAIGHT SCREW	1	
19	90430-18130-00	GASKET	1	
20	67F-41114-A2-00	.GASKET, EXHAUST OUTER COVER	1	

CONTINUED ON NEXT FRAME >

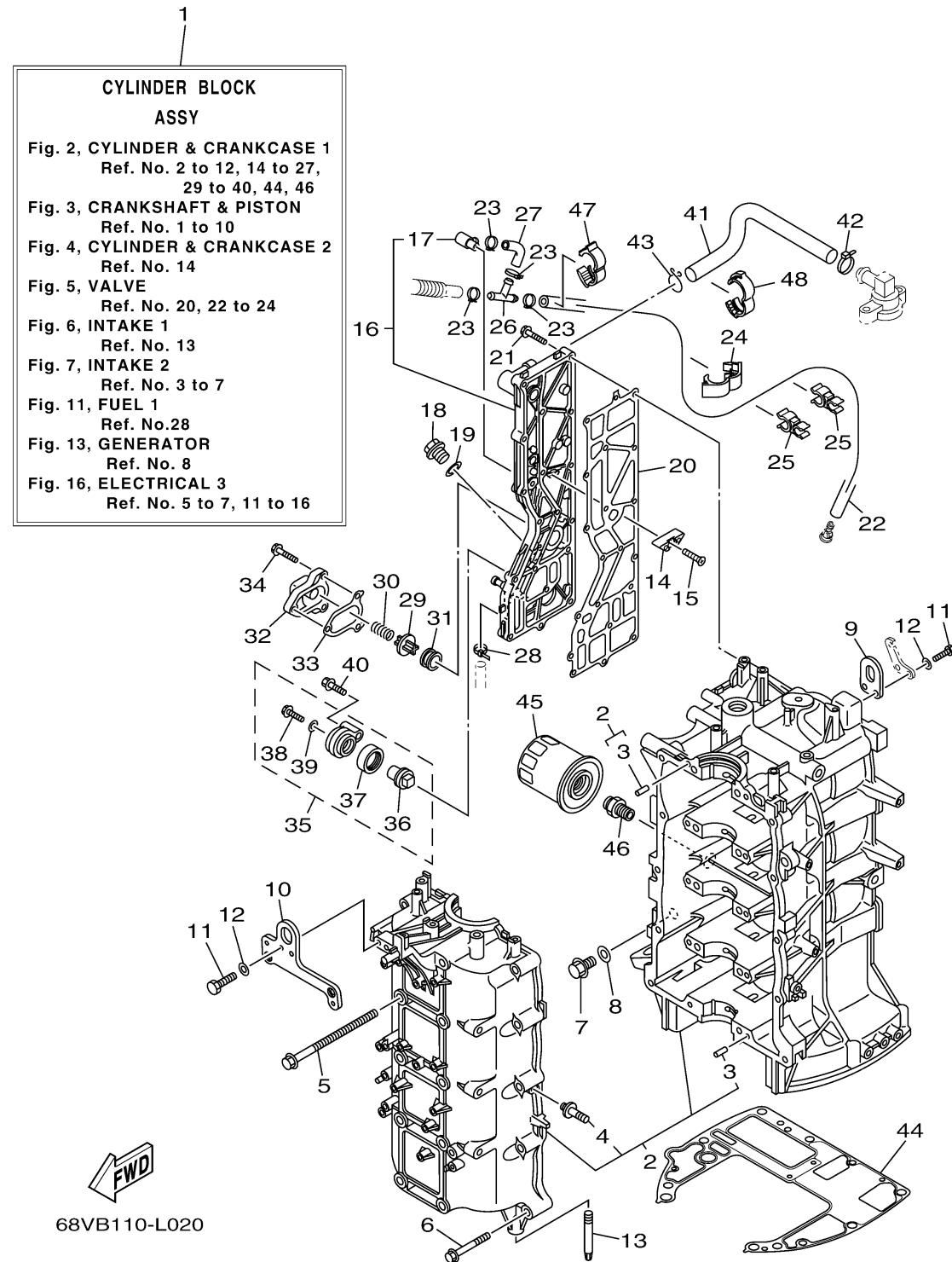
CYLINDER CRANKCASE 1



Ref No.	Part Number	Description	Qty	Remarks
21	90119-06MA4-00	BOLT, WITH WASHER	18	
22	68V-42541-10-00	PIPE 1	1	
23	90465-11M10-00	CLAMP	4	
24	90464-18004-00	CLAMP	1	
25	90464-10010-00	CLAMP	2	
26	688-24378-00-00	PIPE, JOINT 3	1	
27	61A-24316-00-00	PIPE 6	1	
28	90465-11M10-00	CLAMP	1	
29	6G5-12416-00-00	VALVE, PRESSURE CONTROL	1	
30	90501-16M11-00	SPRING, COMPRESSION	1	
31	90480-20M05-00	GROMMET	1	
32	67F-1246A-01-9S	COVER 1	1	
33	67F-12435-A0-00	.GASKET	1	
34	90119-06MA2-00	BOLT, WITH WASHER	3	
35	69J-11301-00-00	ANODE COVER ASSY	1	
36	67F-11325-01-00	..ANODE	1	
37	67F-11328-00-00	..GROMMET, ANODE	1	
38	90105-06M07-00	..BOLT, FLANGE	1	
39	90430-06M03-00	..GASKET	1	
40	97575-08540-00	BOLT, WITH WASHER	1	

CONTINUED ON NEXT FRAME >

CYLINDER CRANKCASE 1



Ref No.	Part Number	Description	Qty	Remarks
41	67F-1243A-00-00	HOSE 1	1	
42	90465-11M59-00	CLAMP	1	
43	90467-20M15-00	CLIP	1	
44	68V-11351-00-00	.GASKET, CYLINDER	1	
45	5GH-13440-00-00	ELEMENT ASSY, OIL CLEANER	1	
46	90401-20007-00	BOLT, UNION	1	
47	90464-18004-00	CLAMP	1	
48	90464-16001-00	CLAMP	1	