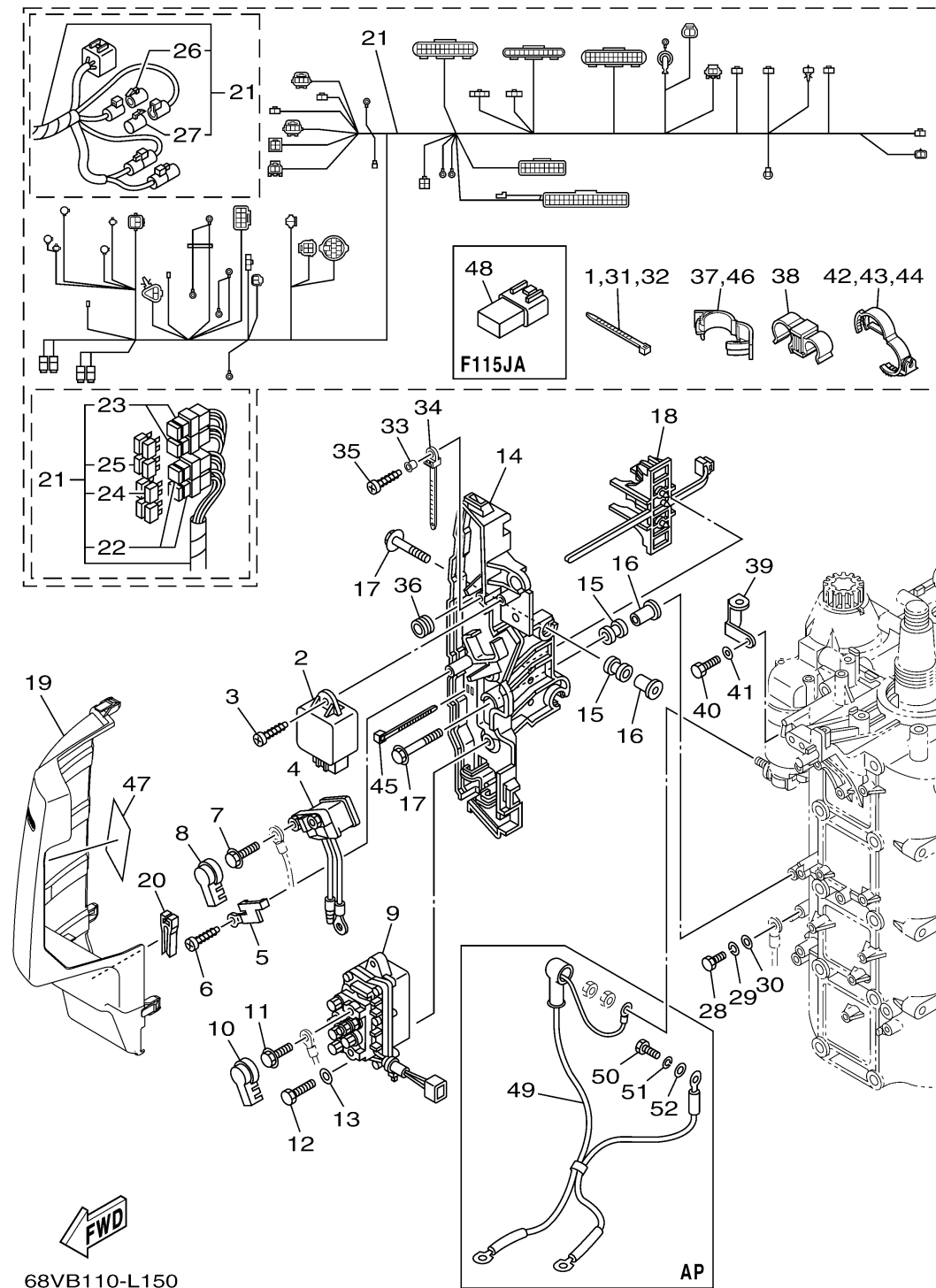


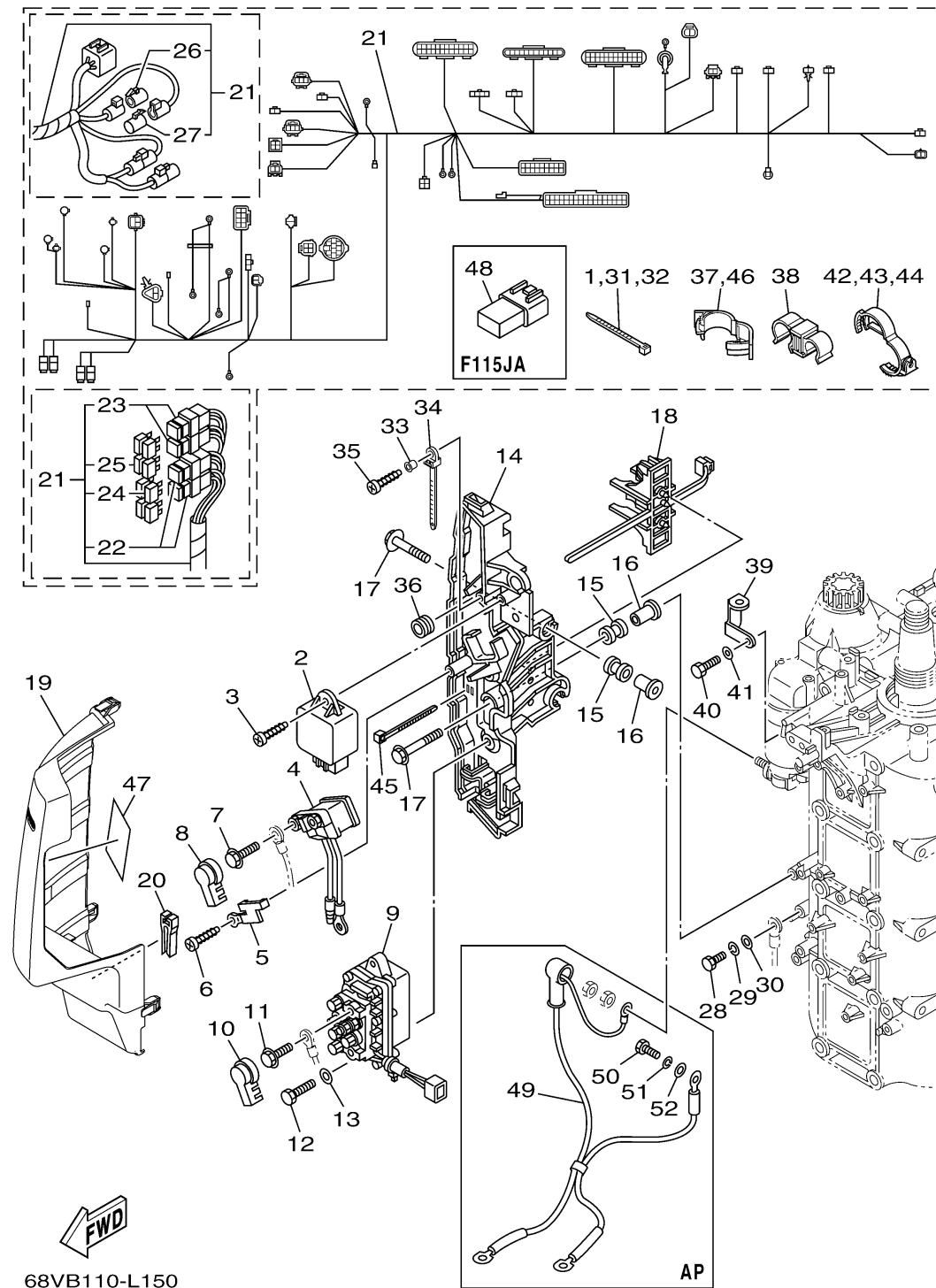
ELECTRICAL 2



Ref No.	Part Number	Description	Qty	Remarks
1	90465-13M18-00	CLAMP	1	
2	60E-81950-00-00	RELAY ASSY	1	
3	97780-60625-00	SCREW, TAPPING	1	
4	68V-8194A-00-00	RELAY	1	
5	68F-81953-00-00	STAY, RELAY	1	
6	97780-60620-00	SCREW, TAPPING	1	
7	97595-06610-00	BOLT, WITH WASHER	2	
8	6P2-8183X-00-00	CAP, TERMINAL	2	
9	63P-81950-00-00	RELAY ASSY	1	
10	6P2-8183X-00-00	CAP, TERMINAL	2	
11	97595-06610-00	BOLT, WITH WASHER	2	
12	97095-06020-00	BOLT	2	
13	92995-06600-00	WASHER	2	
14	68V-81948-02-00	BRACKET	1	
15	6A0-82317-00-00	DAMPER, IGNITION COIL	5	
16	90387-06119-00	COLLAR	5	
17	90119-06M59-00	BOLT, WITH WASHER	5	
18	68V-82594-00-00	CLAMP	1	
19	68V-81942-10-00	COVER	1	
20	67F-2812A-00-00	.PULLER, FUSE	1	

CONTINUED ON NEXT FRAME >

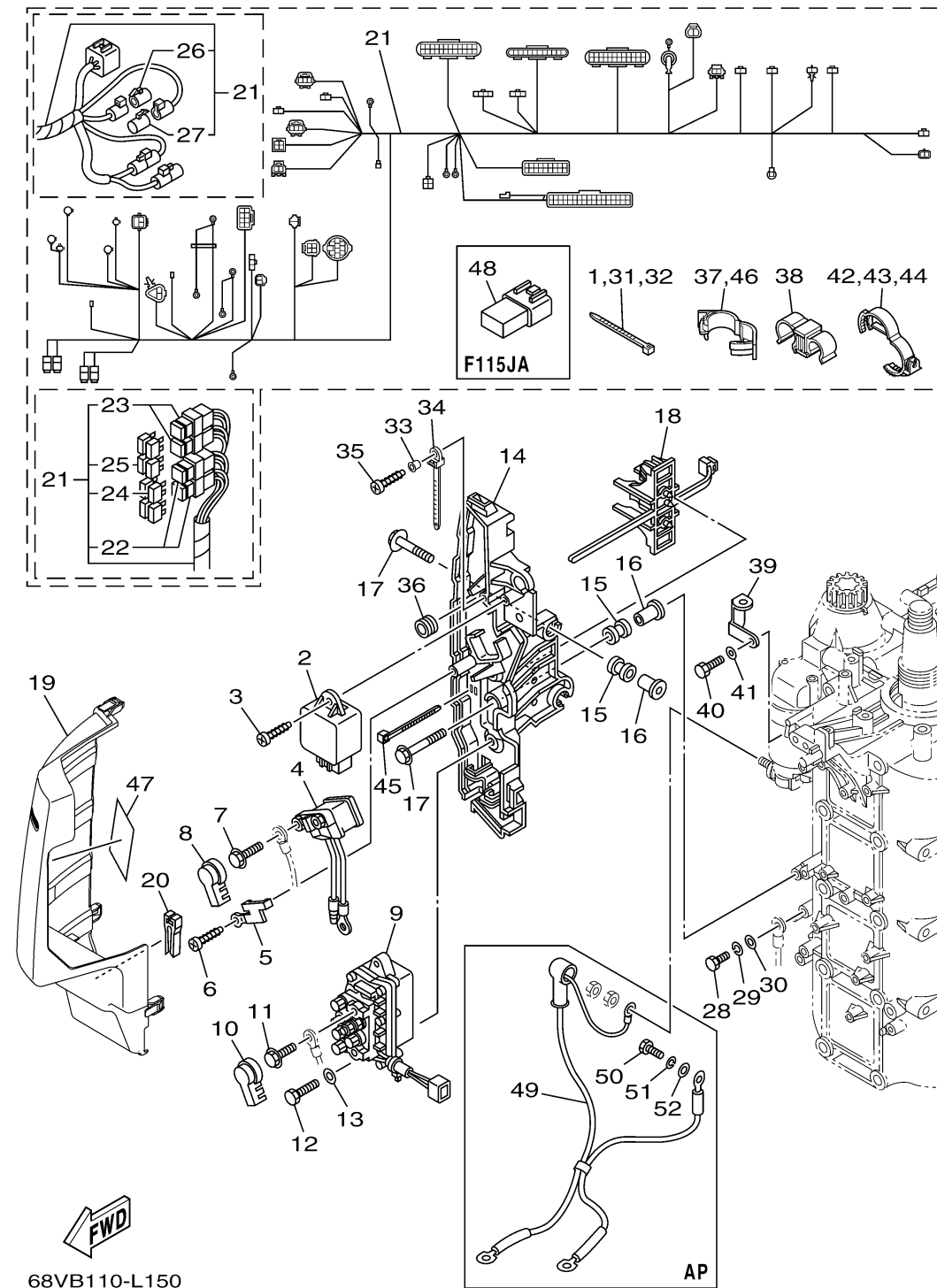
ELECTRICAL 2



Ref No.	Part Number	Description	Qty	Remarks
21	68V-82590-70-00	WIRE HARNESS ASSY	1	
22	67F-8215B-10-00	..CAP (YELLOW)	2	
23	67F-8215B-20-00	..CAP (GREEN)	2	
24	67F-82151-00-00	..FUSE (20A)	4	
25	67F-82151-10-00	..FUSE (30A)	4	
26	6P2-82582-00-00	..CAP 1 (FEMALE)	1	
27	6P2-82582-10-00	..CAP 1 (MALE)	1	
28	97095-06016-00	BOLT	1	
29	92995-06100-00	WASHER, SPRING	1	
30	92995-06600-00	WASHER	1	
31	90465-13M18-00	CLAMP	1	
32	90465-13M18-00	CLAMP	1	
33	90387-06M05-00	COLLAR	1	
34	90465-12M53-00	CLAMP	1	
35	97780-60625-00	SCREW, TAPPING	1	
36	6A0-82317-00-00	DAMPER, IGNITION COIL	1	
37	90464-18004-00	CLAMP	1	
38	90464-12010-00	CLAMP	1	
39	6D8-82581-01-00	STAY, CORD CLAMP	1	
40	97095-06014-00	BOLT	1	

CONTINUED ON NEXT FRAME >

ELECTRICAL 2



68VB110-L150

Ref No.	Part Number	Description	Qty	Remarks
41	92995-06600-00	WASHER	1	
42	90464-30003-00	CLAMP	2	
43	90464-30003-00	CLAMP	1	
44	90464-30003-00	CLAMP	1	
45	90465-13M11-00	CLAMP	2	
46	90464-18004-00	CLAMP	1	
47	68V-81919-10-00	GRAPHIC, REGULATOR	1	
48	68V-82582-10-00	COVER, WIRE HARNESS	0	FOR JET-DRIVE
49	68V-82105-J0-00	BATTERY CABLE	1	AP
50	97013-06020-00	BOLT	1	AP
51	92903-06100-00	WASHER, SPRING	1	AP
52	92903-06600-00	WASHER, PLATE	1	AP