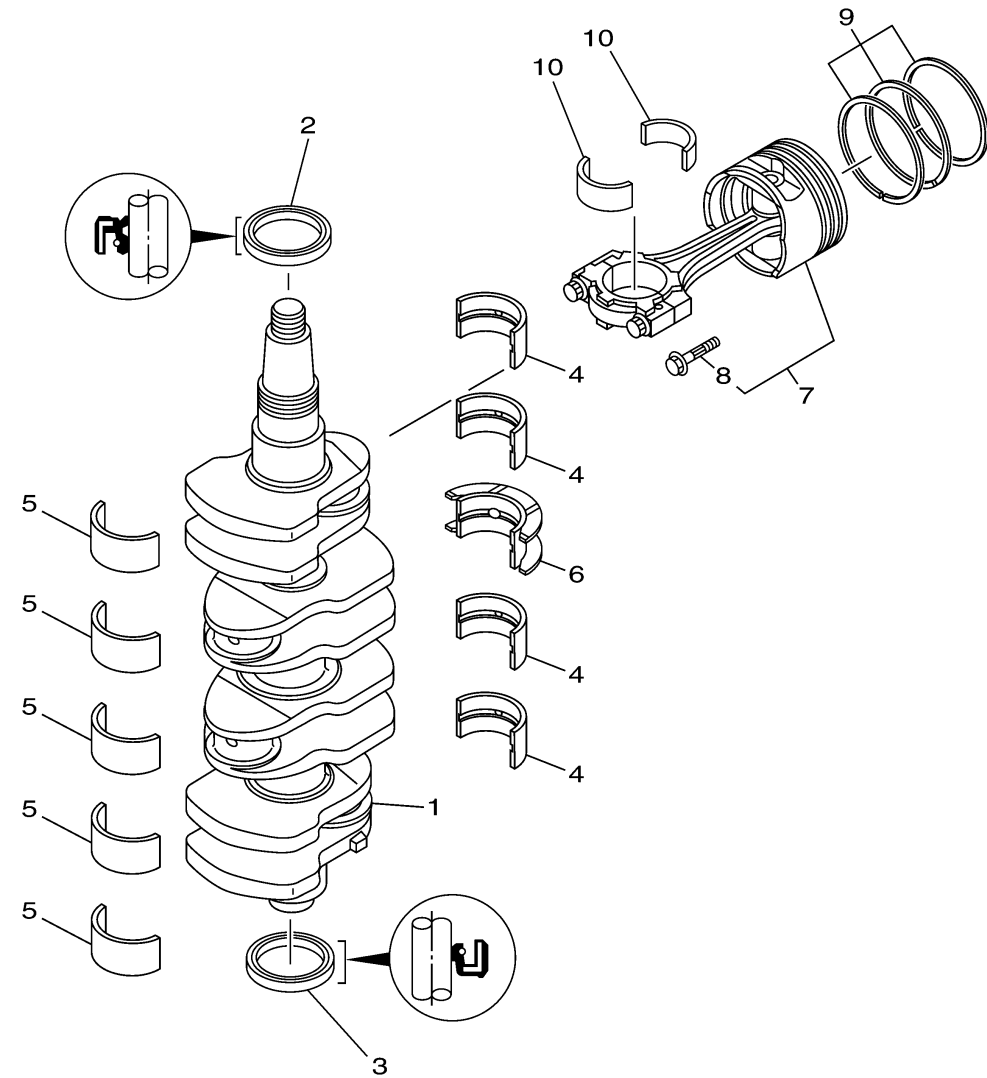


CRANKSHAFT PISTON



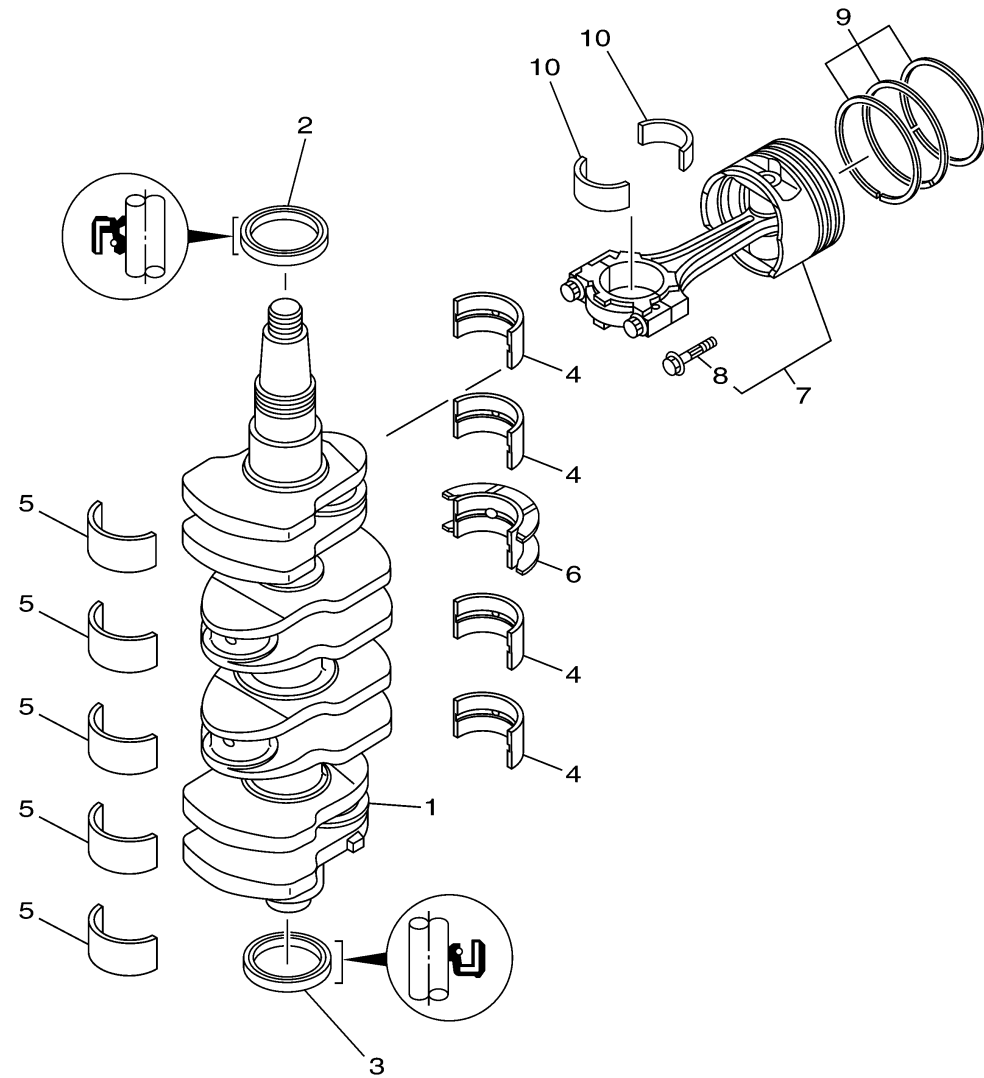
Ref No.	Part Number	Description	Qty	Remarks
1	68V-11411-00-00	CRANKSHAFT	1	
1	68V-11411-01-00	CRANKSHAFT	1	UR 68V:1143978-
2	93102-48017-00	.OIL SEAL	1	
3	93101-48002-00	.OIL SEAL	1	
4	6D8-11416-20-00	PLANE BEARING, CRANKSHAFT 1	4	UR RED
4	6D8-11416-10-00	PLANE BEARING, CRANKSHAFT 1	4	UR BLUE
4	6D8-11416-00-00	PLANE BEARING, CRANKSHAFT 1	4	UR GREEN
5	6D8-11417-00-00	PLANE BEARING, CRANKSHAFT 2	5	UR YELLOW
5	6D8-11417-30-00	PLANE BEARING, CRANKSHAFT 2	5	UR RED
5	6D8-11417-20-00	PLANE BEARING, CRANKSHAFT 2	5	UR BLUE
5	6D8-11417-10-00	PLANE BEARING, CRANKSHAFT 2	5	UR GREEN
6	6D8-11418-10-00	PLANE BEARING, CRANKSHAFT 3	1	UR BLUE
6	6D8-11418-20-00	PLANE BEARING, CRANKSHAFT 3	1	UR RED
6	6D8-11418-00-00	PLANE BEARING, CRANKSHAFT 3	1	UR GREEN
7	68V-W1164-02-00	PISTON/CON-ROD ASSY STD	4	
7	68V-W1164-12-00	PISTON/CON-ROD ASSY(0.25MM OS)	4	AP
8	K1C-A3275-00-00	. .BOLT, CONNECTING ROD	2	
9	6D8-11604-01-00	PISTON RING SET (0.25MM O/S)	4	AP
9	6D8-11603-01-00	PISTON RING SET (STD)	4	
10	68V-11656-30-00	PLANE BEARING, CONNECTING ROD	8	UR RED

CONTINUED ON NEXT FRAME >


68VA110-K030

CRANKSHAFT PISTON

Ref No.	Part Number	Description	Qty	Remarks
10	68V-11656-20-00	PLANE BEARING, CONNECTING ROD	8	UR BLUE
10	68V-11656-00-00	PLANE BEARING, CONNECTING ROD	8	UR YELLOW
10	68V-11656-10-00	PLANE BEARING, CONNECTING ROD	8	UR GREEN



68VA110-K030