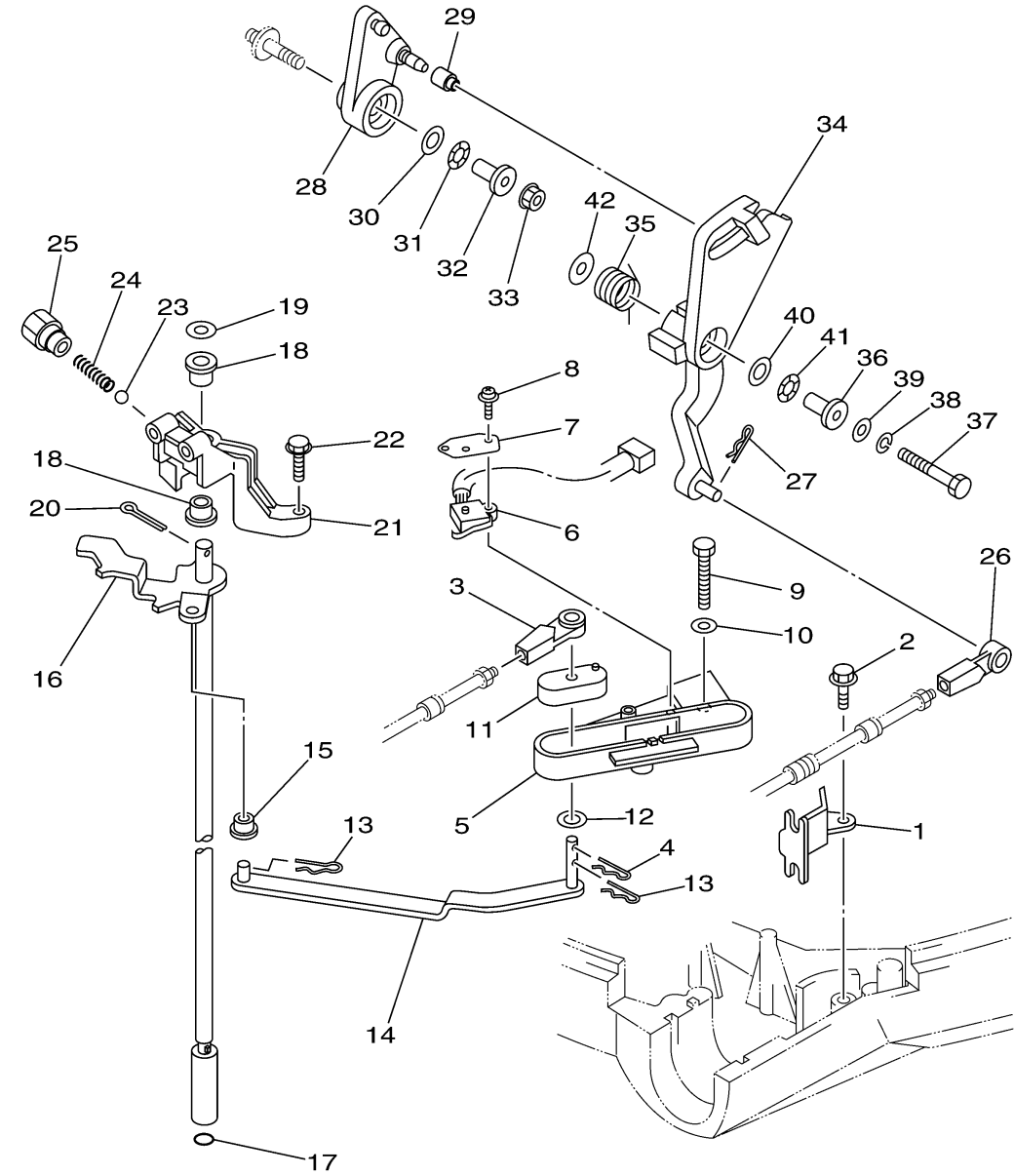


CONTROL

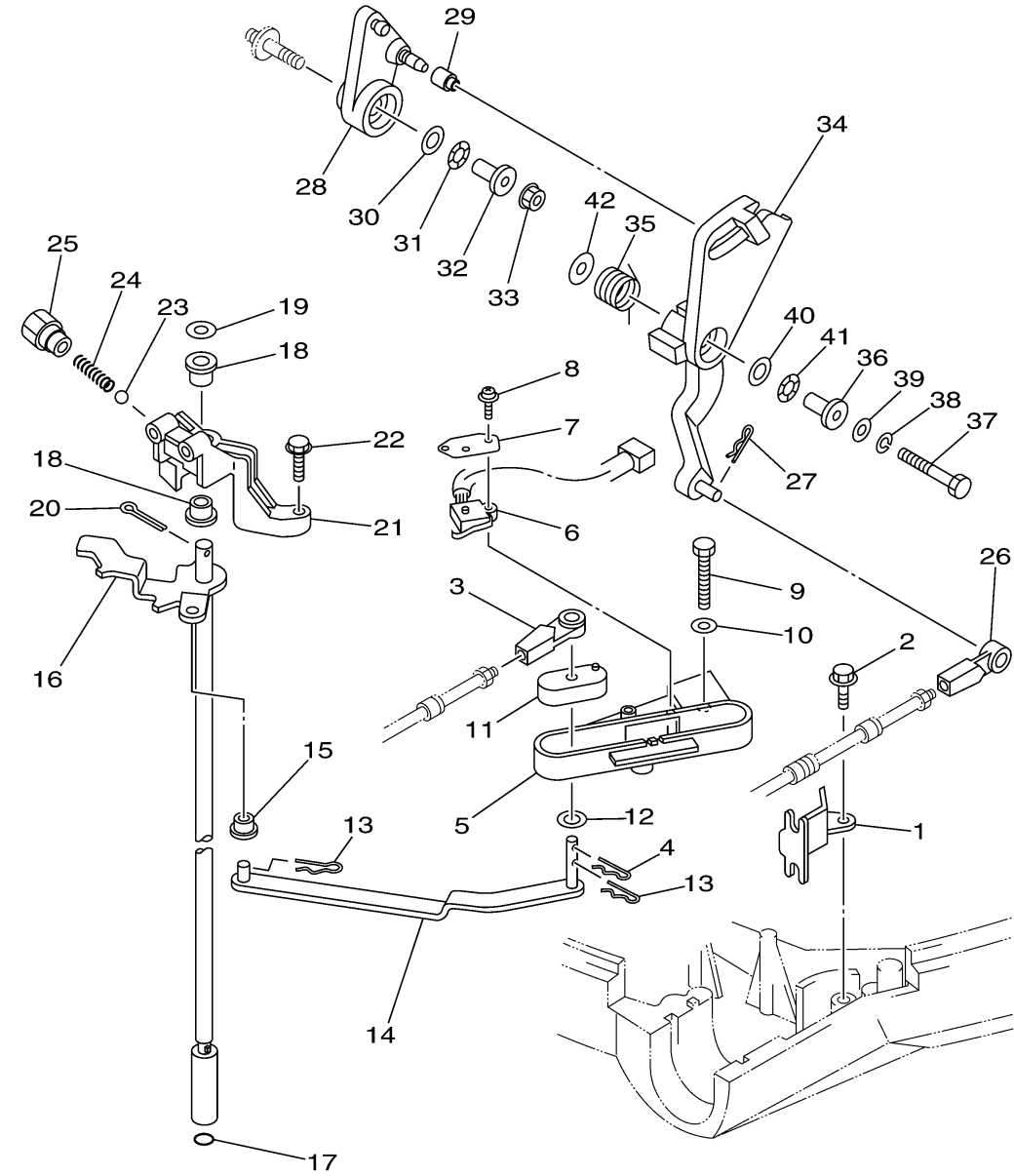


Ref No.	Part Number	Description	Qty	Remarks
1	67F-48538-00-00	CLAMP, CABLE 1	1	
2	90109-06M86-00	BOLT	1	
3	663-48344-00-00	.CABLE END, REMOTE CONTROL	1	
4	90468-18008-00	CLIP	1	
5	68V-44117-01-94	BRACKET	1	
6	60V-8259F-00-00	SWITCH ASSY	1	EXCEPT JET-DRIVE
7	61A-82588-01-00	PLATE	1	EXCEPT JET-DRIVE
8	97985-04116-00	SCREW, WITH WASHER	2	EXCEPT JET-DRIVE
9	97095-06040-00	.BOLT	2	
10	92995-06600-00	WASHER	2	
11	68V-44122-01-00	BUSHING, SHIFT ROD LEVER	1	
12	90202-07M07-00	WASHER, PLATE	1	
13	90468-18008-00	CLIP	2	
14	68V-44121-00-00	LEVER, SHIFT ROD	1	
15	90386-06M12-00	BUSH	1	
16	68V-44120-30-00	HANDLE GEAR SHIFT ASSY	0	X(25.3")
16	68V-44120-10-00	HANDLE GEAR SHIFT ASSY	1	L(20.3")
17	93210-09165-00	O-RING	1	
18	90386-90M90-00	BUSH	2	
19	90201-09M02-00	WASHER, PLATE	1	

CONTINUED ON NEXT FRAME >


68VA110-K180

CONTROL

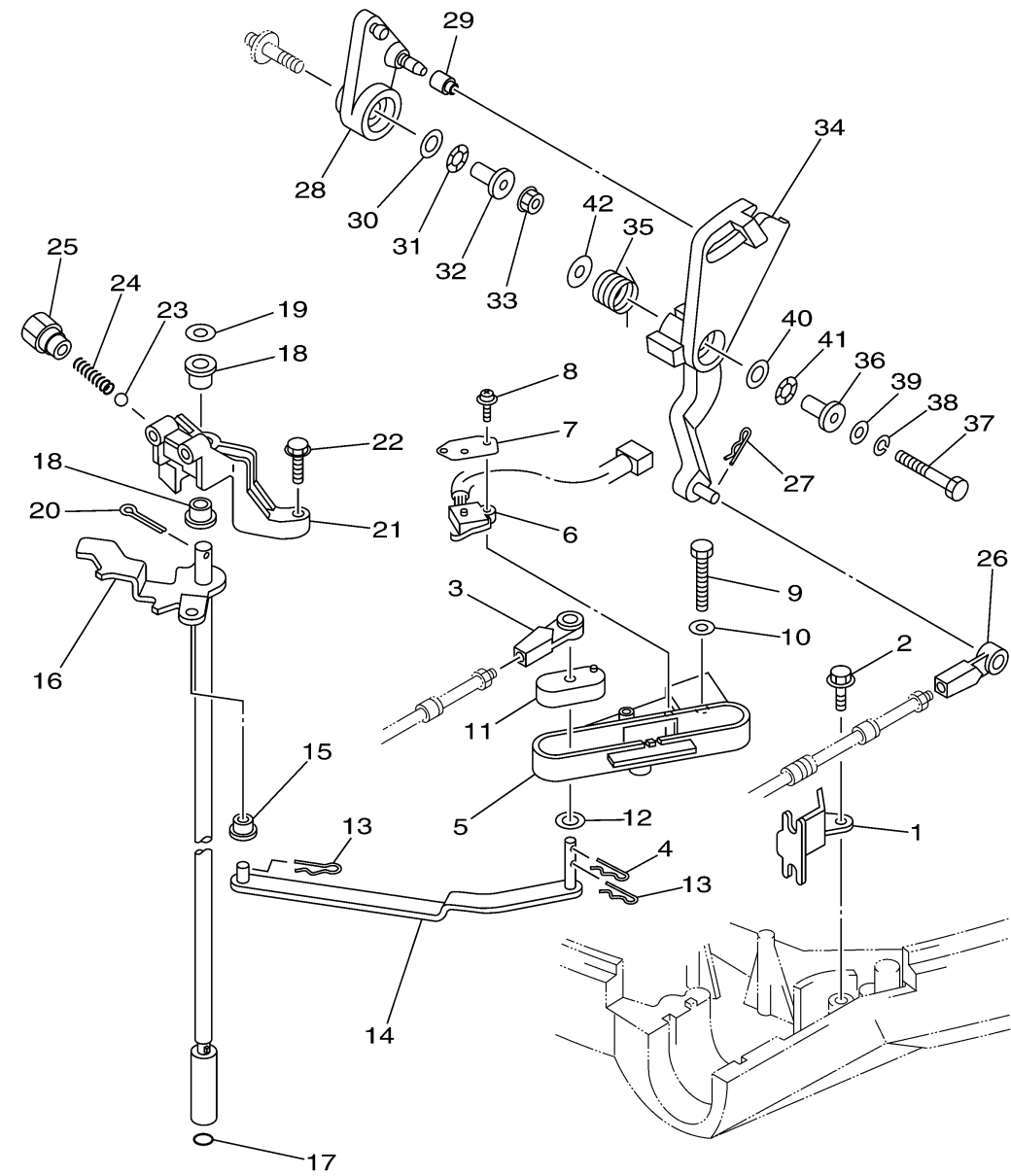


FWD
68VA110-K180

Ref No.	Part Number	Description	Qty	Remarks
20	91490-20015-00	PIN. COTTER	1	
21	68V-44118-00-94	BRACKET	1	
22	97575-06525-00	BOLT, WITH WASHER	2	
23	93501-04M02-00	BALL	1	
24	90501-12082-00	SPRING, COMPRESSION	1	
25	648-42715-00-00	BUSHING 2	1	
26	663-48344-00-00	.CABLE END, REMOTE CONTROL	1	
27	90468-18008-00	CLIP	1	
28	68V-42157-00-00	LEVER, THROTTLE	1	
29	68V-42171-00-00	BUSHING	1	
30	90201-10M02-00	WASHER, PLATE	1	
31	90206-10M04-00	WASHER, WAVE	1	
32	90387-06M21-00	COLLAR	1	
33	90179-06M28-00	..NUT	1	
34	68V-42154-00-00	LEVER, THROTTLE CONTROL	1	
35	67F-44135-00-00	SPRING	1	
36	90387-06M21-00	COLLAR	1	
37	97095-06035-00	BOLT	1	
38	92995-06100-00	WASHER, SPRING	1	
39	92995-06600-00	WASHER	1	

CONTINUED ON NEXT FRAME >

CONTROL



Ref No.	Part Number	Description	Qty	Remarks
40	90201-10M02-00	WASHER, PLATE	1	
41	90206-10M04-00	WASHER, WAVE	1	
42	90201-06M31-00	WASHER, PLATE	1	



68VA110-K180