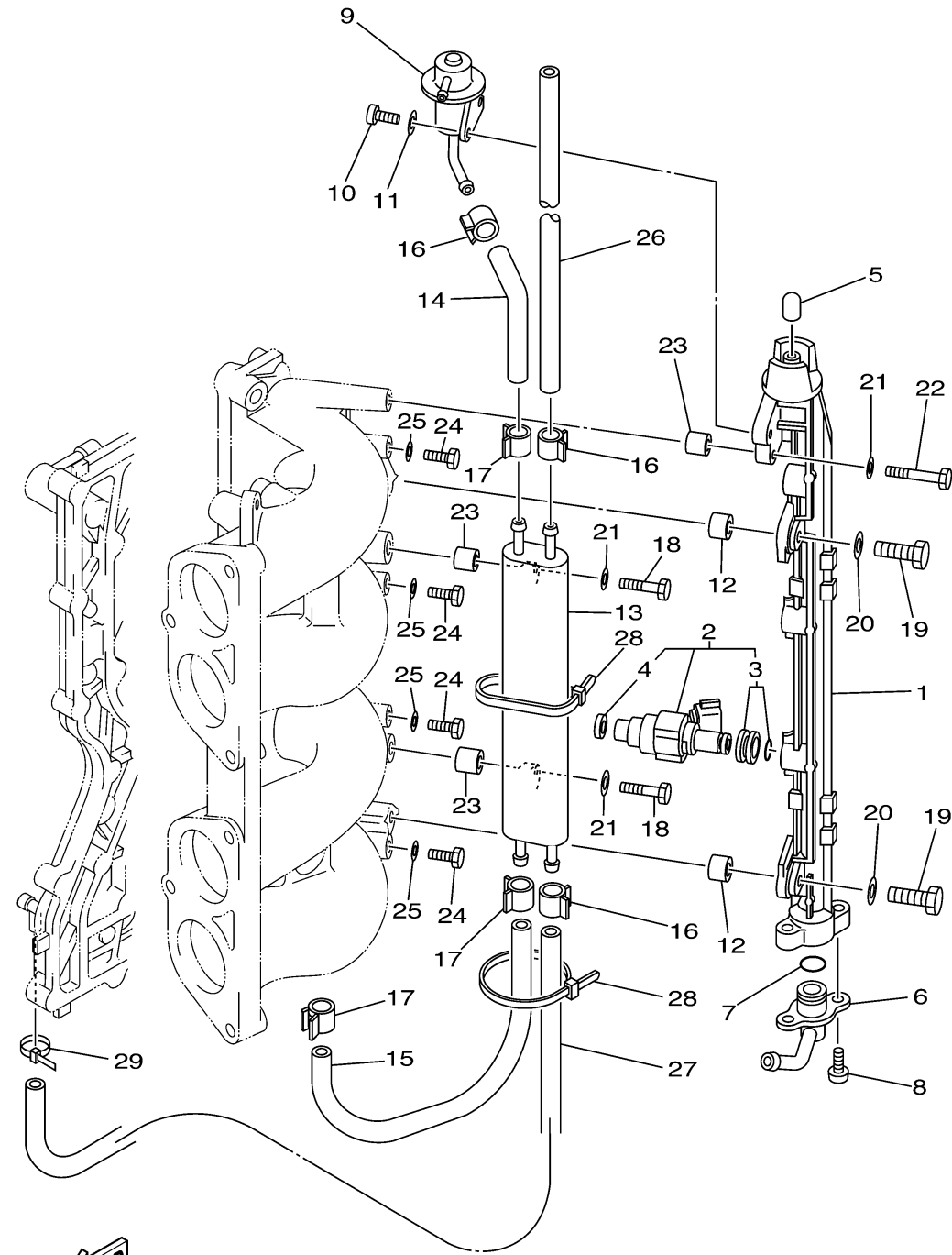


FUEL INJECTION NOZZLE

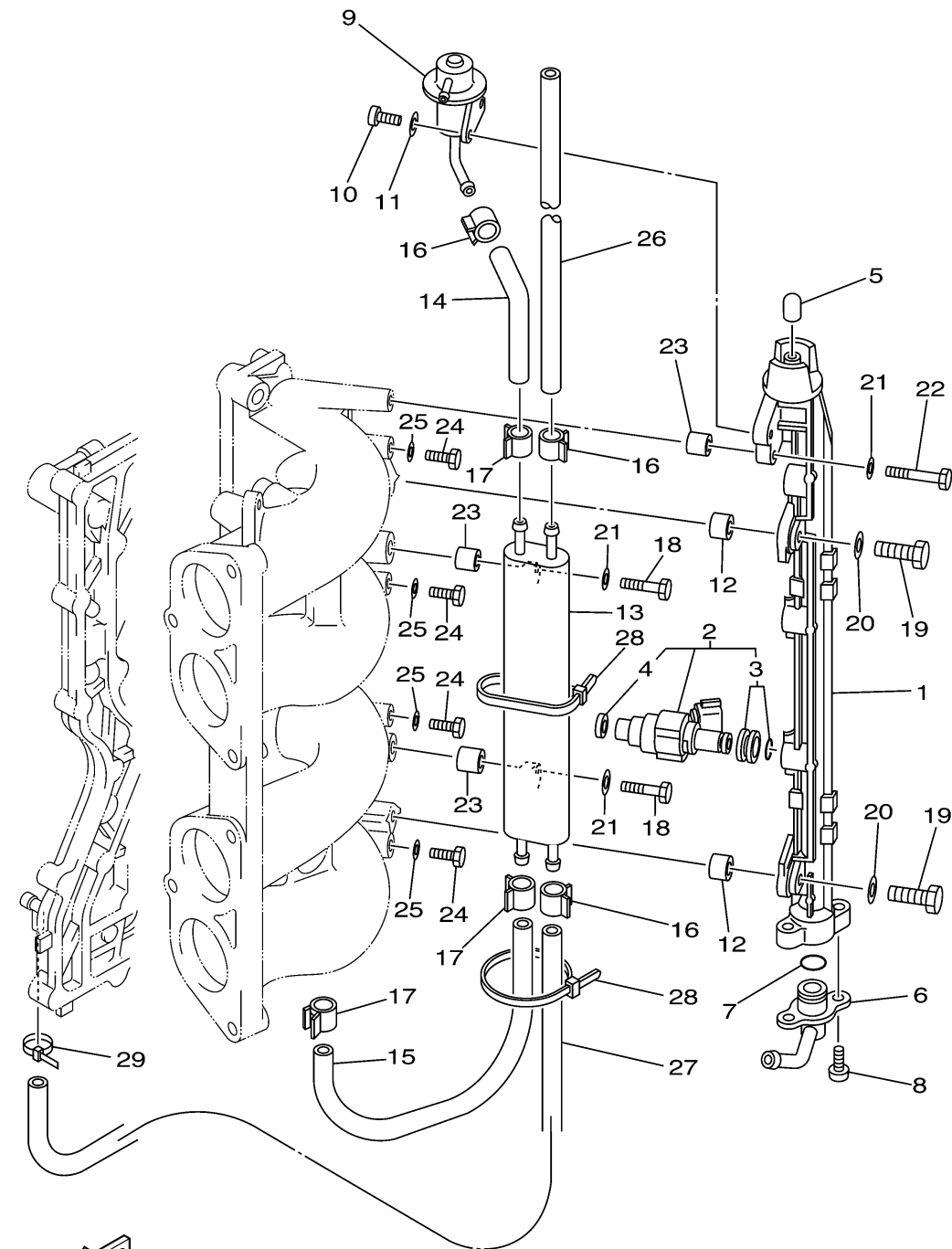


68V1010-2080

| Ref No. | Part Number | Description | Qty | Remarks |
|---------|-----------------|----------------------|-----|---------|
| 1 | 68V-13160-00-00 | DELIVERY PIPE ASSY 1 | 1 | |
| 2 | 68V-8A360-00-00 | INJECTOR UNIT | 4 | |
| 3 | 68V-1410B-00-00 | .PACKING KIT | 1 | |
| 4 | 68V-13766-00-00 | .RUBBER, INJECTOR | 1 | |
| 5 | 68V-14225-00-00 | .CAP | 1 | |
| 6 | 68V-13435-00-00 | NIPPLE | 1 | |
| 7 | 68V-14397-00-00 | .O-RING | 1 | |
| 8 | 68V-81147-00-00 | SCREW 3 | 2 | |
| 9 | 68V-13906-01-00 | REGULATOR, PRESSURE | 1 | |
| 10 | 68V-14565-00-00 | .SCREW | 2 | |
| 11 | 68V-14356-00-00 | .WASHER, SPRING | 2 | |
| 12 | 68V-14264-00-00 | COLLAR | 2 | |
| 13 | 69J-21841-02-00 | COOLER | 1 | |
| 14 | 68V-13971-00-00 | PIPE, FUEL 1 | 1 | |
| 15 | 68V-13972-00-00 | PIPE, FUEL 2 | 1 | |
| 16 | 68V-24519-00-00 | CLIP | 3 | |
| 17 | 68V-2411M-00-00 | CLIP | 3 | |
| 18 | 68V-14777-00-00 | BOLT | 2 | |
| 19 | 68V-14428-00-00 | BOLT | 2 | |
| 20 | 68V-14475-00-00 | WASHER | 2 | |

CONTINUED ON NEXT FRAME >

FUEL INJECTION NOZZLE



68V1010-2080

| Ref No. | Part Number | Description | Qty | Remarks |
|---------|-----------------|---------------|-----|---------|
| 21 | 68V-14357-00-00 | WASHER, PLAIN | 3 | |
| 22 | 68V-14446-00-00 | BOLT | 1 | |
| 23 | 68V-14265-00-00 | COLLAR | 3 | |
| 24 | 97095-06010-00 | BOLT | 4 | |
| 25 | 90430-06014-00 | GASKET | 4 | |
| 26 | 68V-2247A-10-00 | HOSE 1 | 1 | |
| 27 | 68V-2247B-00-00 | HOSE 2 | 1 | |
| 28 | 68V-2481H-00-00 | CLAMP | 2 | |
| 29 | 90465-11M10-00 | .CLAMP | 1 | |