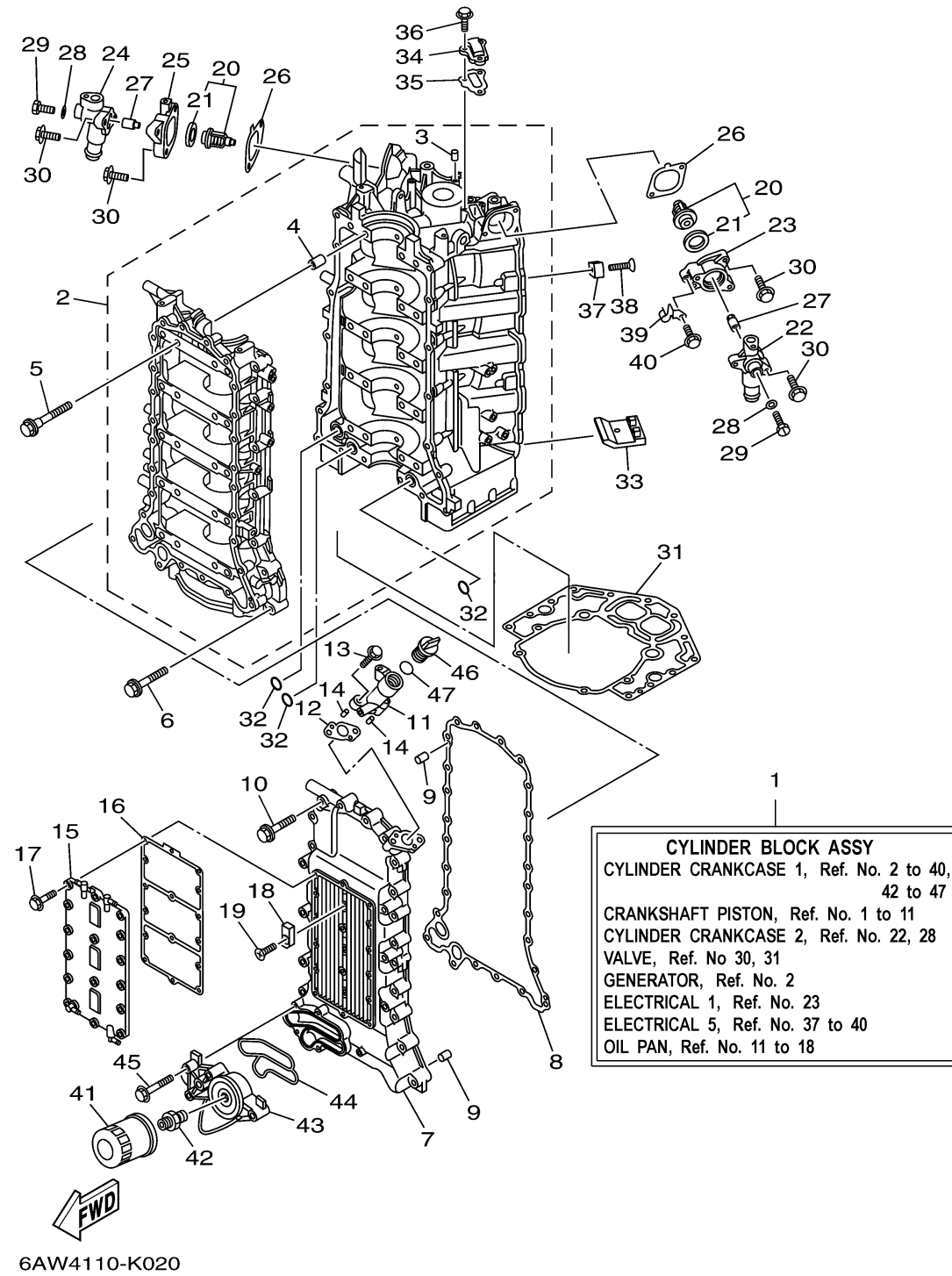


# CYLINDER CRANKCASE 1



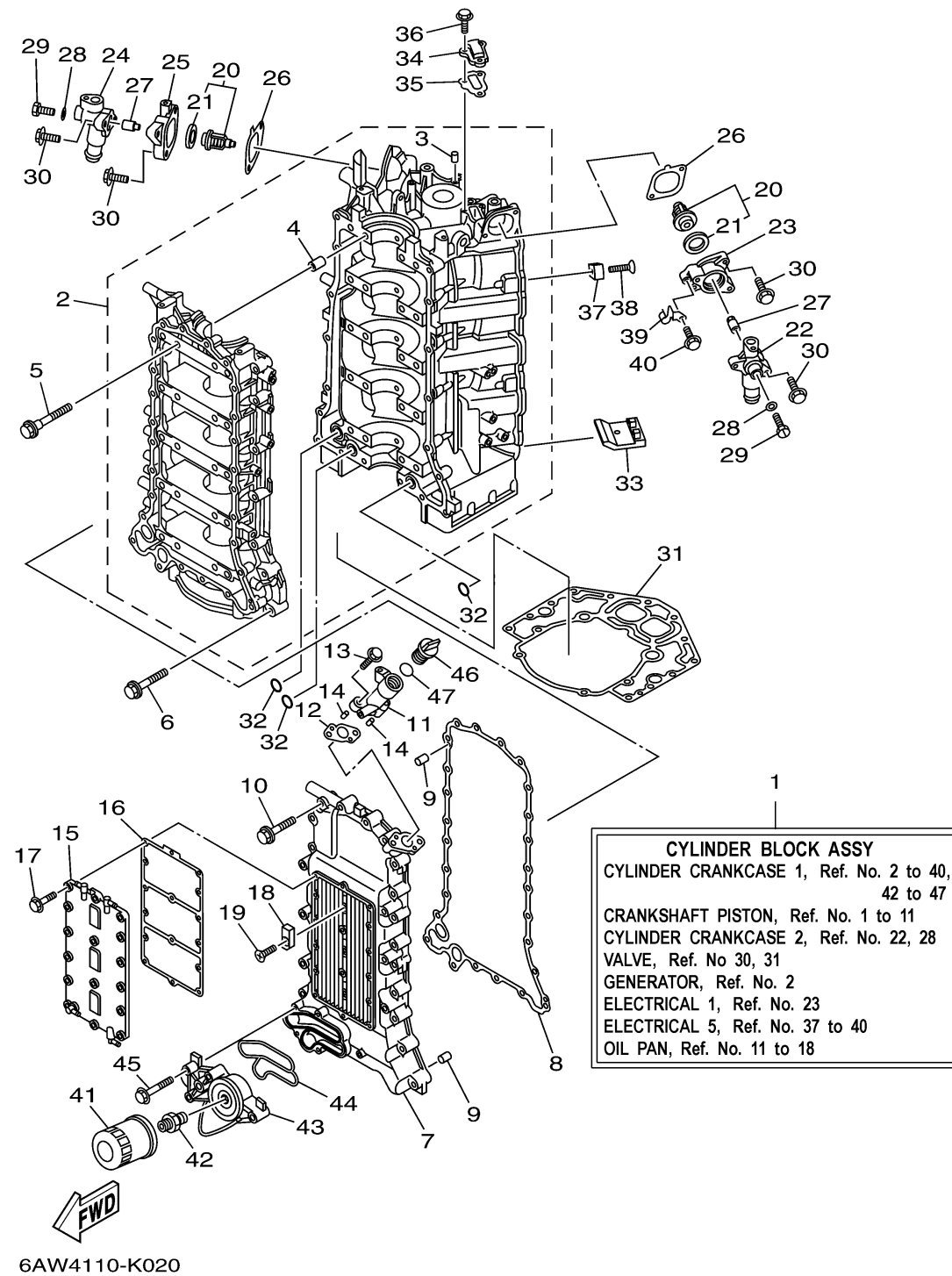
Ref No.	Part Number	Description	Qty	Remarks
1	6AW-W009B-03-9S	CYLINDER BLOCK ASSY	1	
2	6AW-15100-02-00	CRANKCASE ASSY	1	
3	93606-12019-00	. PIN, DOWEL	3	
4	91814-18001-00	. .PIN, DOWEL	10	
5	69J-15187-00-00	BOLT	20	
6	90105-08175-00	BOLT, FLANGE	18	
7	6AW-15411-00-9S	COVER, CRANKCASE 1	1	
8	6AW-15451-00-00	.GASKET, CRANKCASE COVER 1	1	
9	93606-12019-00	PIN, DOWEL	2	
10	90105-08175-00	BOLT, FLANGE	26	
11	6AW-15319-00-9S	JOINT	1	
12	6AW-15364-00-00	.GASKET, OIL PLUG	1	
13	90105-06155-00	BOLT, FLANGE	2	
14	93604-08062-00	PIN, DOWEL	2	
15	6AW-15421-00-9S	COVER, CRANKCASE 2	1	
16	6AW-15461-00-00	.GASKET, CRANKCASE COVER 2	1	
17	90105-06037-00	BOLT, FLANGE	16	
18	63P-11325-01-00	ANODE	3	
19	90151-06M02-00	SCREW, COUNTERSUNK	3	
20	6AW-12411-00-00	THERMOSTAT	2	

CONTINUED ON NEXT FRAME >

# CYLINDER CRANKCASE 1

Ref No.	Part Number	Description	Qty	Remarks
21	6AW-12412-00-00	.SEAL, THERMOSTAT	1	
22	6AW-12413-00-9S	COVER, THERMOSTAT	1	
23	6AW-12422-00-9S	COVER, HOUSING	1	
24	6AW-1241B-00-9S	COVER, THERMOSTAT 2	1	
25	6AW-1242B-00-9S	COVER, HOUSING 2	1	
26	6AW-12427-00-00	.GASKET, HOUSING COVER 1	2	
27	6AW-1132R-00-00	ANODE 6	2	
28	90430-05002-00	.GASKET	2	
29	90105-05012-00	.BOLT, FLANGE	2	
30	90105-06028-00	BOLT, FLANGE	8	
31	6AW-11351-00-00	.GASKET, CYLINDER	1	
32	93210-26658-00	.O-RING	3	
33	6AW-14664-00-00	.GROMMET, WATER SHUT	2	
34	6AW-1131M-00-9S	COVER	1	
35	6AW-11381-00-00	.GASKET 1	1	
36	90105-06039-00	BOLT, FLANGE	3	
37	6AW-1132P-00-00	ANODE 5	8	
38	98780-06530-00	SCREW, FLAT HEAD	8	
39	90462-12008-00	CLAMP	1	
40	95895-06012-00	BOLT, FLANGE	1	

CONTINUED ON NEXT FRAME >



# CYLINDER CRANKCASE 1

Ref No.	Part Number	Description	Qty	Remarks
41	N26-13440-00-00	ELEMENT ASSY, OIL CLEANER	1	
42	90401-19001-00	BOLT, UNION	1	
43	6AW-13446-00-9S	CONNECTOR	1	
44	6AW-13477-00-00	.GASKET	1	
45	95885-06045-00	BOLT, FLANGE	5	
46	6G8-15363-00-00	PLUG, OIL	1	
47	93210-24M79-00	.O-RING	1	

