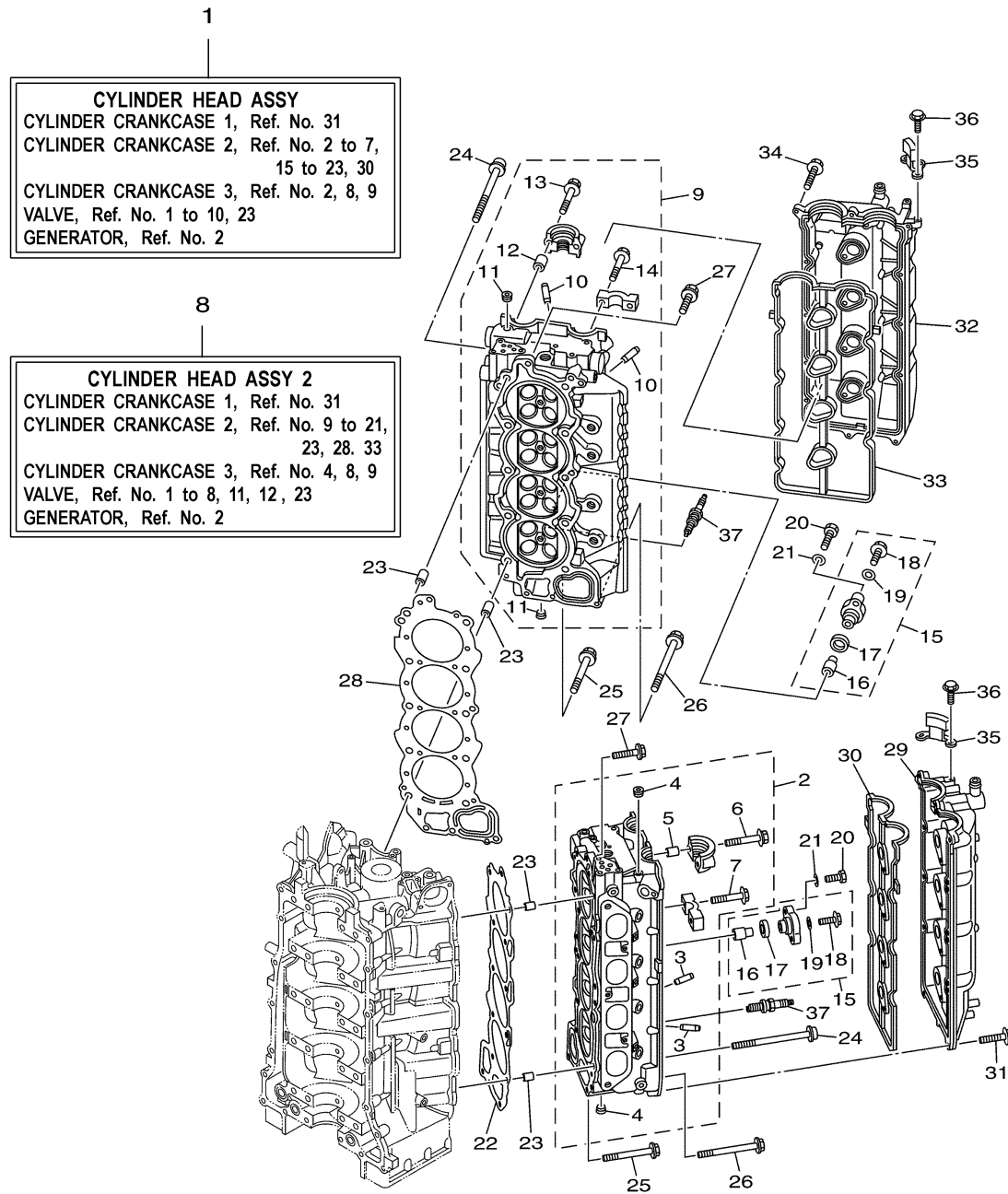


# CYLINDER CRANKCASE 2

Ref No.	Part Number	Description	Qty	Remarks
1	6AW-W009A-00-9S	CYLINDER HEAD COMPLETE	1	
2	6AW-11110-01-00	CYLINDER HEAD ASSY	1	
3	69J-11133-10-00	..GUIDE, VALVE 1	16	
4	90344-51019-00	..PLUG, TAPER SCREW	9	
5	91809-08006-00	..PIN, DOWEL	4	
6	90119-07001-00	..BOLT, WITH WASHER	4	
7	90119-07234-00	..BOLT, WITH WASHER	16	
8	6AW-W009C-00-9S	CYLINDER HEAD 2 COMPLETE	1	
9	6AW-11120-01-00	CYLINDER HEAD ASSY 2	1	
10	69J-11133-10-00	..GUIDE, VALVE 1	16	
11	90344-51019-00	..PLUG, TAPER SCREW	9	
12	91809-08006-00	..PIN, DOWEL	4	
13	90119-07001-00	..BOLT, WITH WASHER	4	
14	90119-07234-00	..BOLT, WITH WASHER	16	
15	6AW-11301-00-00	ANODE COVER ASSY	6	
16	6AW-11325-00-00	..ANODE	1	
17	67F-11328-00-00	..GROMMET, ANODE	1	
18	90105-06M07-00	..BOLT, FLANGE	1	
19	90430-06M03-00	..GASKET	1	
20	97075-08025-00	BOLT	12	

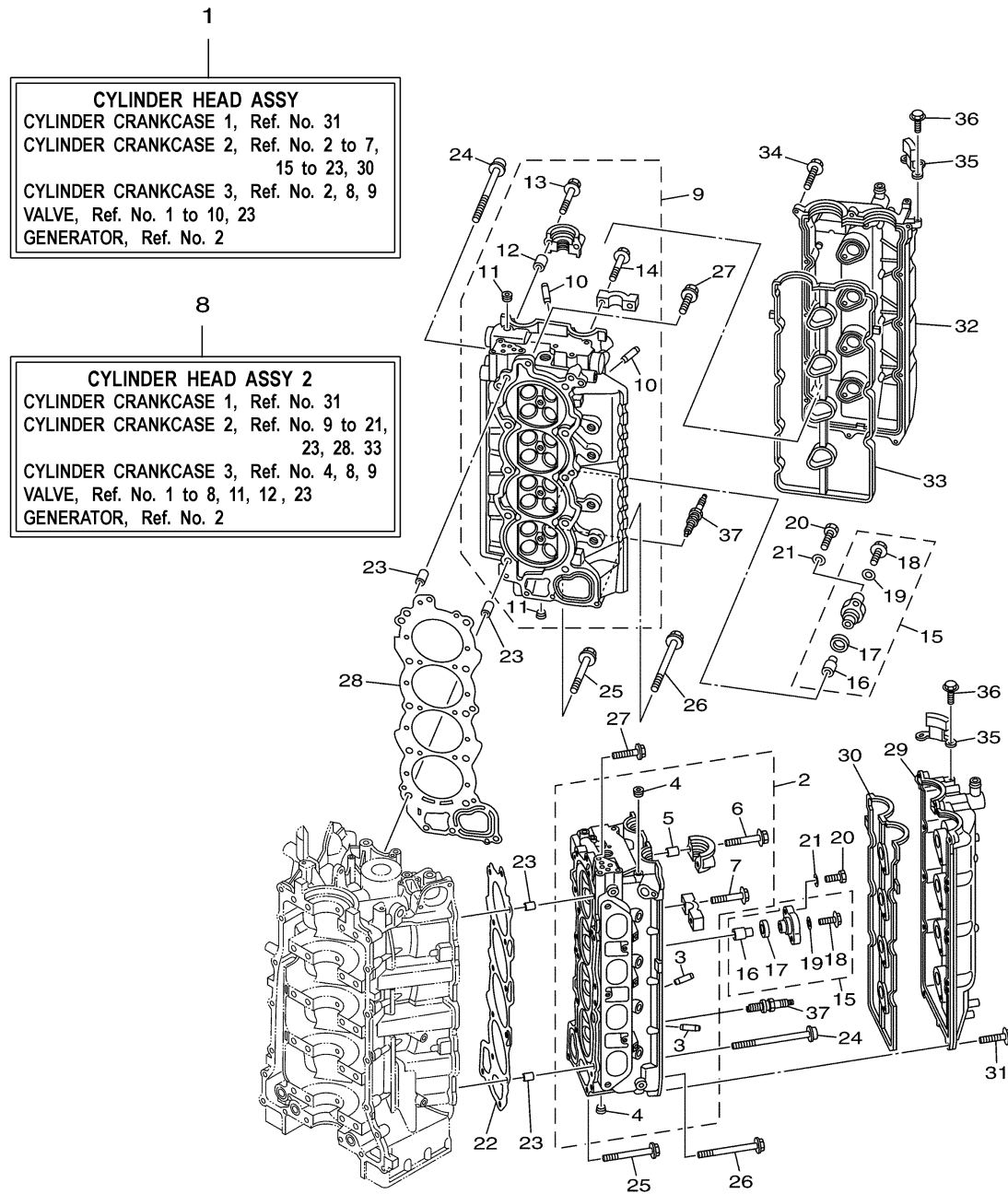
CONTINUED ON NEXT FRAME >



6AW1110-G040

# CYLINDER CRANKCASE 2

Ref No.	Part Number	Description	Qty	Remarks
21	92995-08600-00	WASHER	12	
22	6AW-11181-00-00	.GASKET, CYLINDER HEAD 1	1	
23	90387-11005-00	COLLAR	4	
24	90155-11002-00	SCREW, FLAT FILLISTER	20	
25	90119-08MA5-00	BOLT, WITH WASHER	4	
26	90119-08021-00	BOLT, WITH WASHER	2	
27	90119-08115-00	BOLT, WITH WASHER	2	
28	6AW-11182-00-00	.GASKET, CYLINDER HEAD 2	1	
29	6AW-11191-00-9S	COVER, CYLINDER HEAD 1	1	
30	6AW-11193-00-00	.GASKET, HEAD COVER 1	1	
31	90105-06152-00	BOLT, FLANGE	16	
32	6AW-11192-00-9S	COVER, CYLINDER HEAD 2	1	
33	6AW-11194-00-00	.GASKET, HEAD COVER 2	1	
34	90105-06152-00	BOLT, FLANGE	16	
35	6AW-15142-00-00	GUIDE 1	2	
36	95885-06014-00	BOLT, FLANGE	4	
37	LFR-6A110-00-00	PLUG, SPARK (NGK LFR6A-11)	8	



6AW1110-G040