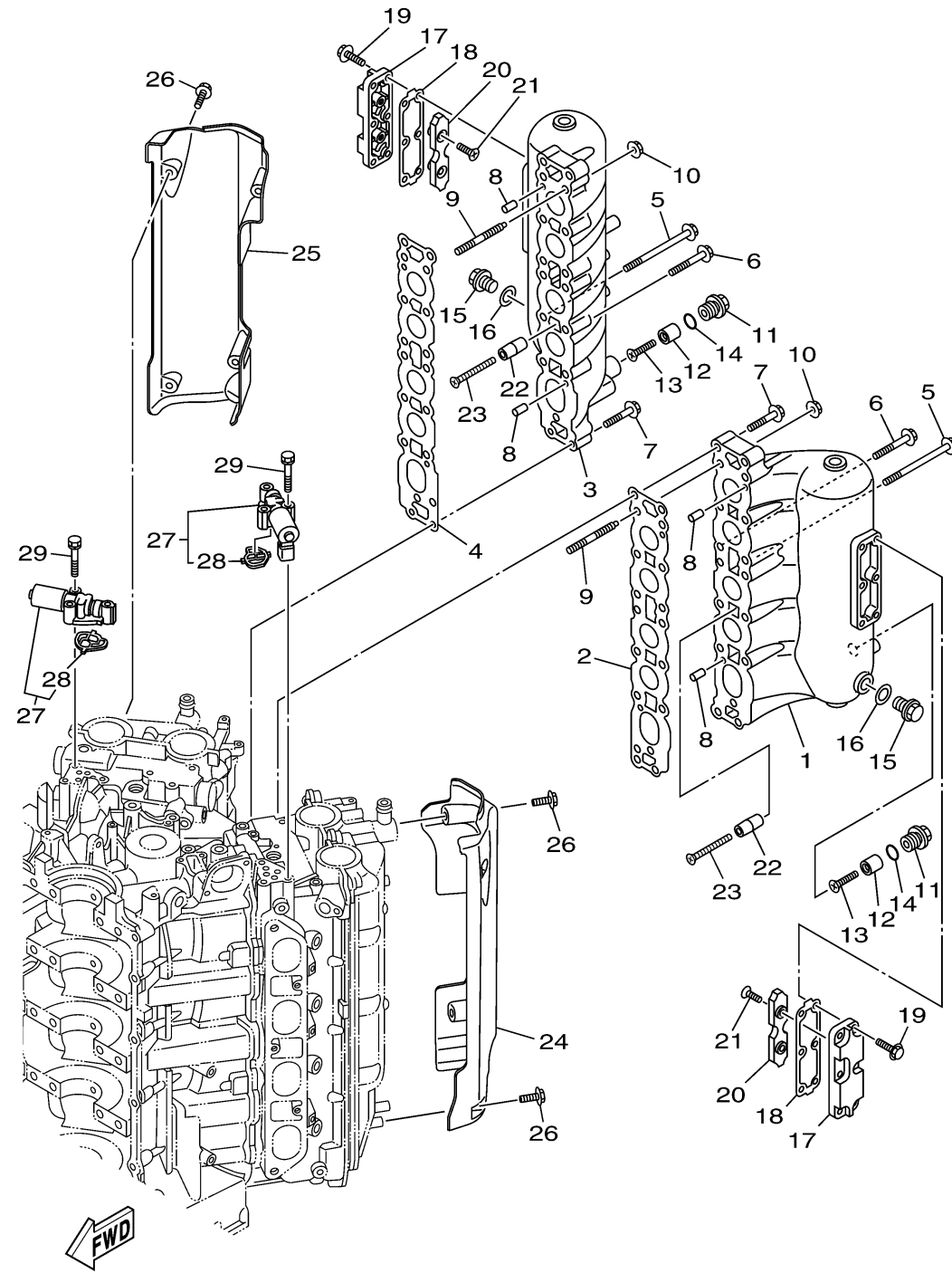


CYLINDER CRANKCASE 3

Ref No.	Part Number	Description	Qty	Remarks
1	6AW-14615-00-9S	JOINT, EXHAUST 1	1	
2	6AW-14613-00-00	.GASKET, EXHAUST PIPE	1	
3	6AW-14625-00-9S	JOINT, EXHAUST 2	1	
4	6AW-14623-00-00	.GASKET, EXHAUST PIPE	1	
5	90105-08173-00	BOLT, FLANGE	12	
6	90105-08175-00	BOLT, FLANGE	10	
7	90105-06151-00	BOLT, FLANGE	8	
8	93608-16M16-00	PIN, DOWEL	4	
9	90116-08037-00	BOLT, STUD	4	
10	90179-08M34-00	NUT	4	
11	6AW-11197-00-00	PLUG, BLIND	2	
12	6AW-1132L-00-00	ANODE 2	2	
13	98780-05025-00	SCREW, FLAT HEAD	2	
14	93210-19758-00	O-RING	2	
15	90340-18M09-00	.PLUG, STRAIGHT SCREW	2	
16	90430-18130-00	GASKET	2	
17	6AW-1118A-00-9S	COVER	2	
18	6AW-11195-00-00	.GASKET	2	
19	90105-06155-00	BOLT, FLANGE	12	
20	6AW-1132M-00-00	ANODE 3	2	

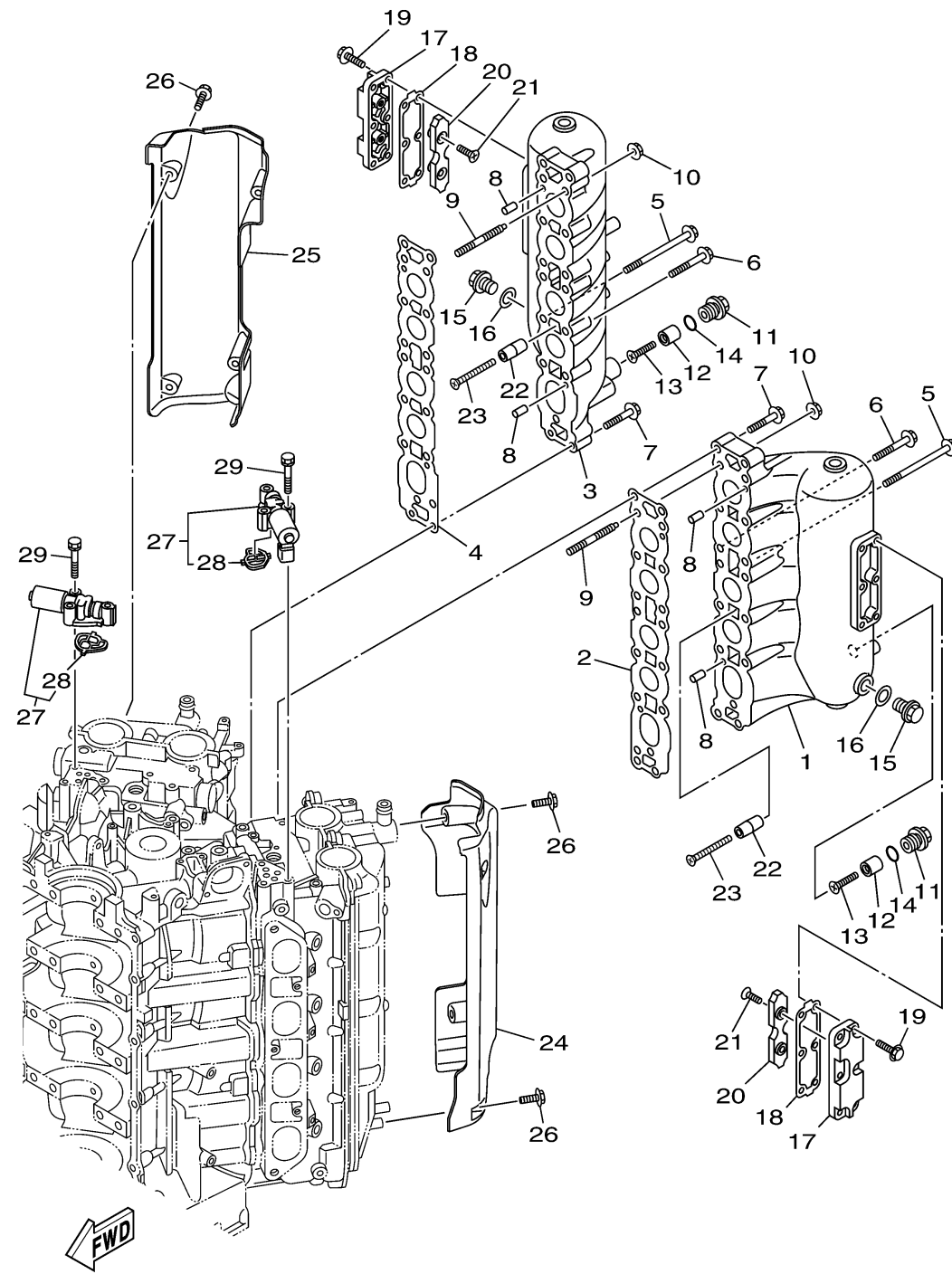
CONTINUED ON NEXT FRAME >



6BJ3110-J051

CYLINDER CRANKCASE 3

Ref No.	Part Number	Description	Qty	Remarks
21	98780-06020-00	SCREW, FLAT HEAD	4	
22	6AW-1132N-01-00	ANODE 4	10	
23	98780-06550-00	SCREW, FLAT HEAD	10	
24	6AW-11186-00-00	COVER, CYLINDER HEAD SIDE 2	1	
25	6AW-11187-00-00	COVER, CYLINDER HEAD SIDE 3	1	
26	90119-06M92-00	BOLT, WITH WASHER	8	
27	6P2-86120-00-00	SOLENOID VALVE ASSY	2	
28	6P2-12403-00-00	. .FILTER	1	
29	90119-06MA6-00	BOLT, WITH WASHER	6	



6BJ3110-J051