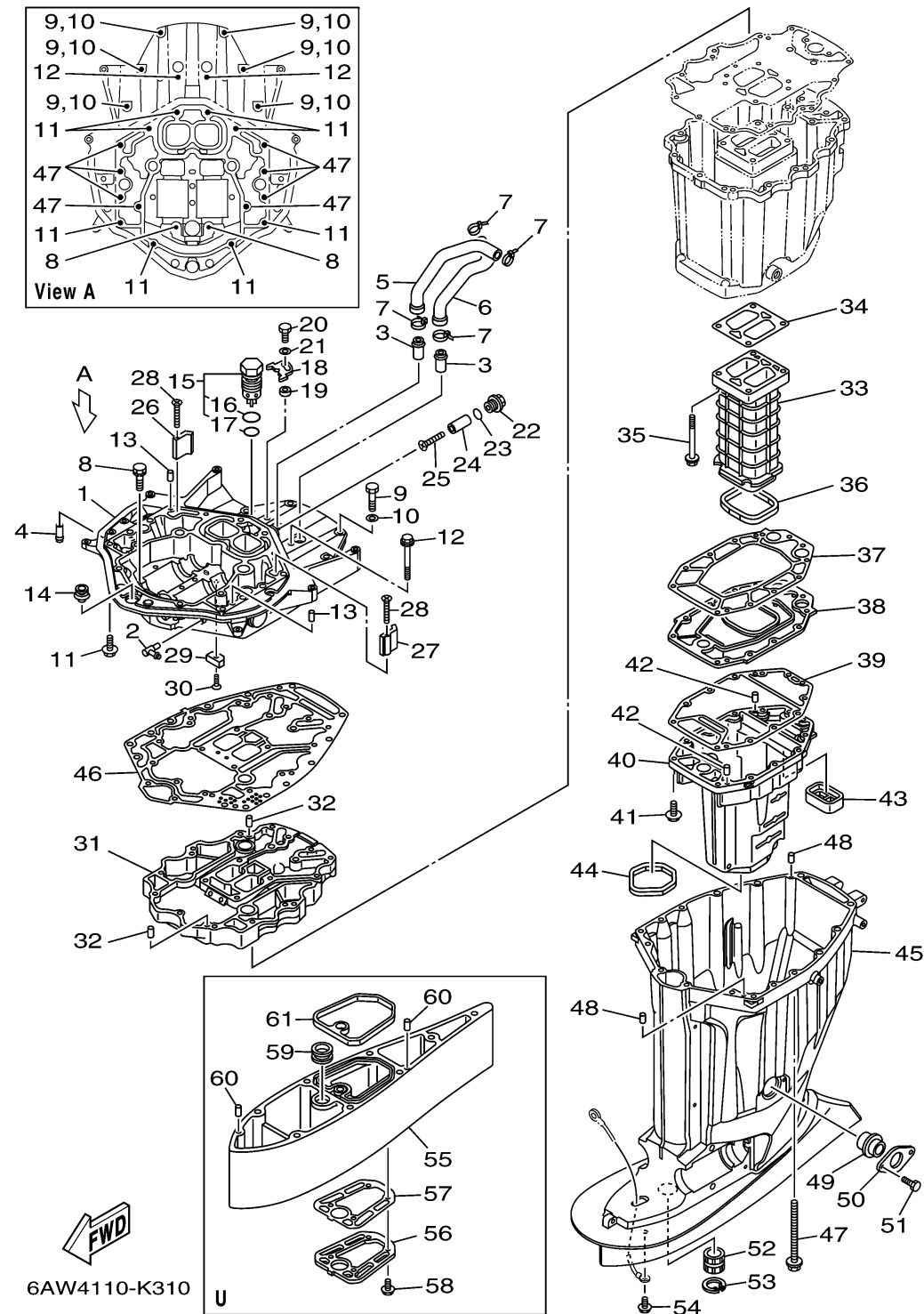


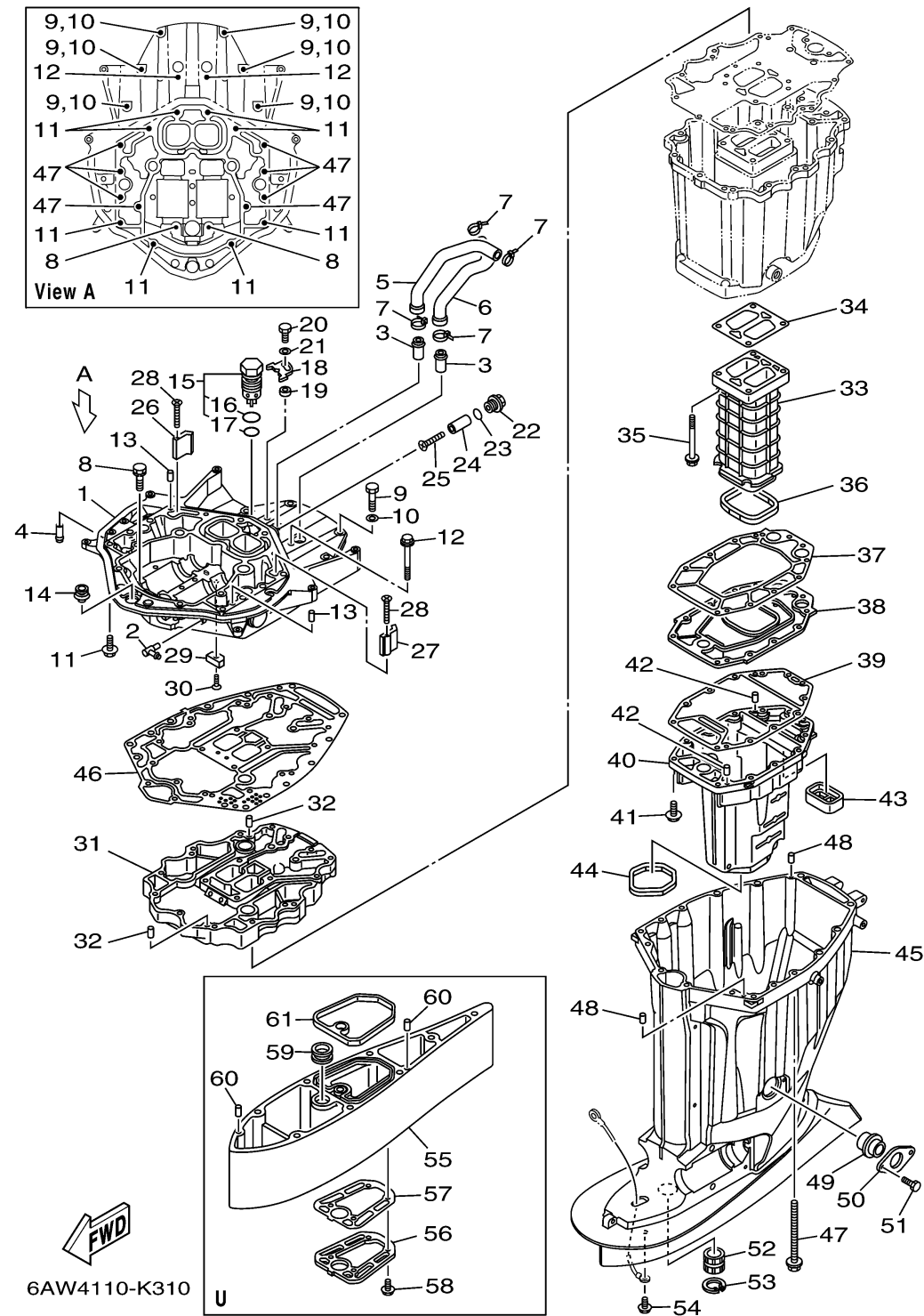
UPPER CASING



Ref No.	Part Number	Description	Qty	Remarks
1	6AW-41137-11-CA	GUIDE, EXHAUST	1	
2	6H1-11372-00-00	NIPPLE, HOSE	1	
3	6AW-1475G-00-00	PIPE 4	2	
4	6AW-1475J-00-00	PIPE 6	2	
5	6AW-1244H-00-00	HOSE 5	1	
6	6AW-1243F-00-00	HOSE,3	1	
7	90465-11M59-00	CLAMP	4	
8	90119-08102-00	BOLT, WITH WASHER	2	
9	97075-10045-00	BOLT	6	
10	92995-10600-00	WASHER	6	
11	90119-10040-00	BOLT, WITH WASHER	8	
12	97575-10585-00	BOLT, WITH WASHER	2	
13	93608-16M16-00	PIN, DOWEL	2	
14	6AW-42724-00-00	GROMMET	1	
15	6AW-11371-10-00	PRESSURE CONTROL VALVE ASSY	1	
16	93210-347A1-00	. O-RING	1	
17	93210-28543-00	. .O-RING	1	
18	69J-12233-00-00	PLATE, GUIDE STOPPER 1	1	
19	90387-06037-00	COLLAR	1	
20	97095-06020-00	BOLT	1	

CONTINUED ON NEXT FRAME >

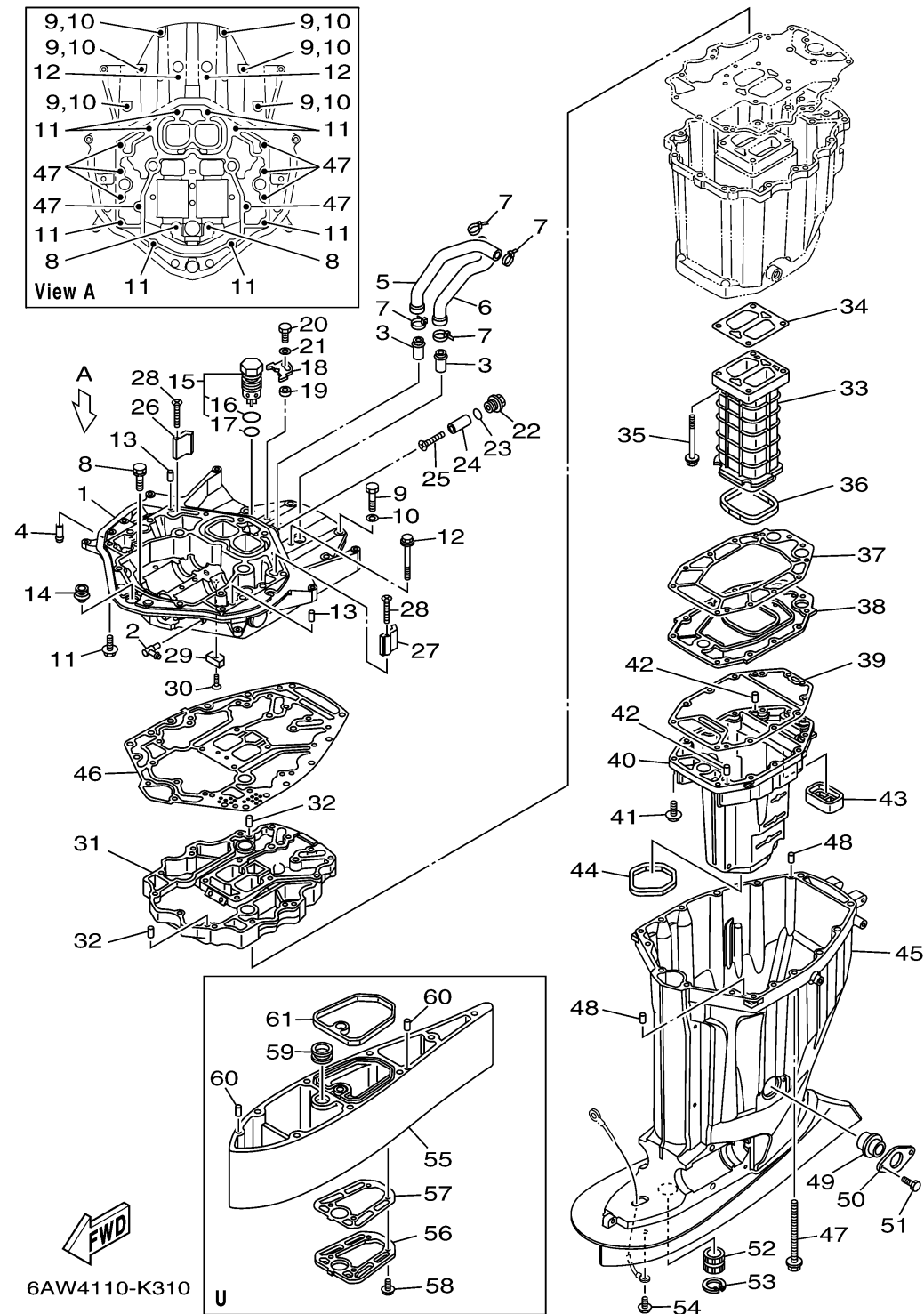
UPPER CASING



Ref No.	Part Number	Description	Qty	Remarks
21	92995-06600-00	WASHER	1	
22	6AW-11197-00-00	PLUG, BLIND	1	
23	93210-19758-00	O-RING	1	
24	6AW-1132S-00-00	ANODE 7	1	
25	98780-05550-00	SCREW, FLAT HEAD	1	
26	6AW-1132T-00-00	ANODE 8	1	
27	6AW-1132U-00-00	ANODE 9	1	
28	98780-05550-00	SCREW, FLAT HEAD	2	
29	63P-11325-11-00	ANODE	1	
30	90151-06M02-00	SCREW, COUNTERSUNK	1	
31	6AW-41131-00-CA	MANIFOLD, EXT. 1	1	
32	93608-16M16-00	PIN, DOWEL	2	
33	6AW-41132-00-9S	MANIFOLD, EXHAUST	1	
34	6AW-41134-01-00	.GASKET, EXHAUST MANIFOLD	1	
35	90119-08117-00	BOLT, WITH WASHER	4	
36	6AW-41138-00-00	.SEAL, EXT. 1	1	
37	6AW-41135-00-00	.GASKET, EXHAUST MANIFOLD	1	
38	6AW-45181-00-9S	PLATE	1	
39	6AW-41136-00-00	.GASKET, EXHAUST MANIFOLD 4	1	
40	6AW-14711-00-9S	MUFFLER 1	1	

CONTINUED ON NEXT FRAME >

UPPER CASING



Ref No.	Part Number	Description	Qty	Remarks
41	97575-08535-00	BOLT, WITH WASHER	12	
42	93606-19M23-00	PIN, DOWEL	2	
43	6AW-45127-00-00	.SEAL	1	
44	69J-45123-00-00	.GASKET, MUFFLER	1	
45	6AW-45111-00-8D	CASING, UPPER	1	
46	6AW-45113-00-00	.GASKET, UPPER CASING	1	
47	90119-10007-00	BOLT, WITH WASHER	8	
48	93608-16M16-00	PIN, DOWEL	2	
49	69J-15316-00-00	DAMPER 1	1	
50	69J-45152-10-00	COVER, UPPER CASING 2	1	
51	97095-06014-00	BOLT	2	
52	6AW-45318-00-00	BUSHING, DRIVE SHAFT	1	
53	93420-38091-00	CIRCLIP	1	
54	95895-06010-00	BOLT, FLANGE	1	
55	6AW-45211-00-8D	EXTENSION	0	U(30.1")
56	6AW-45213-00-9S	COVER, EXTENSION	0	U(30.1")
57	6AW-4581L-00-00	GASKET, PLATE	0	U(30.1")
58	97575-06520-00	BOLT, WITH WASHER	0	U(30.1")
59	6AW-44366-00-00	DAMPER, WATER SEAL 2	0	U(30.1")
60	93608-12M05-00	PIN, DOWEL	0	U(30.1")

CONTINUED ON NEXT FRAME >

UPPER CASING

Ref No.	Part Number	Description	Qty	Remarks
61	6AW-45159-00-00	DAMPER	0	U(30.1")

