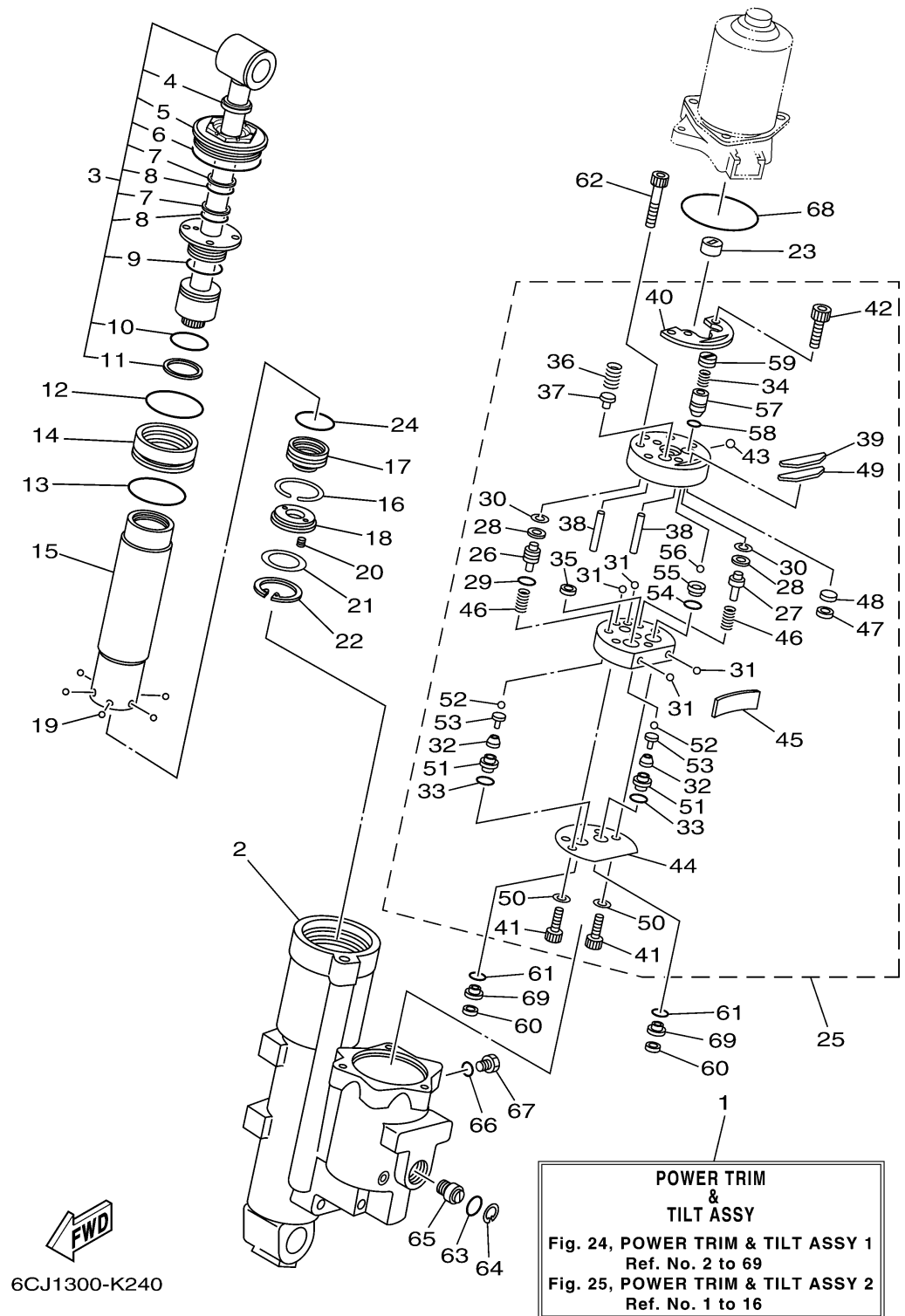


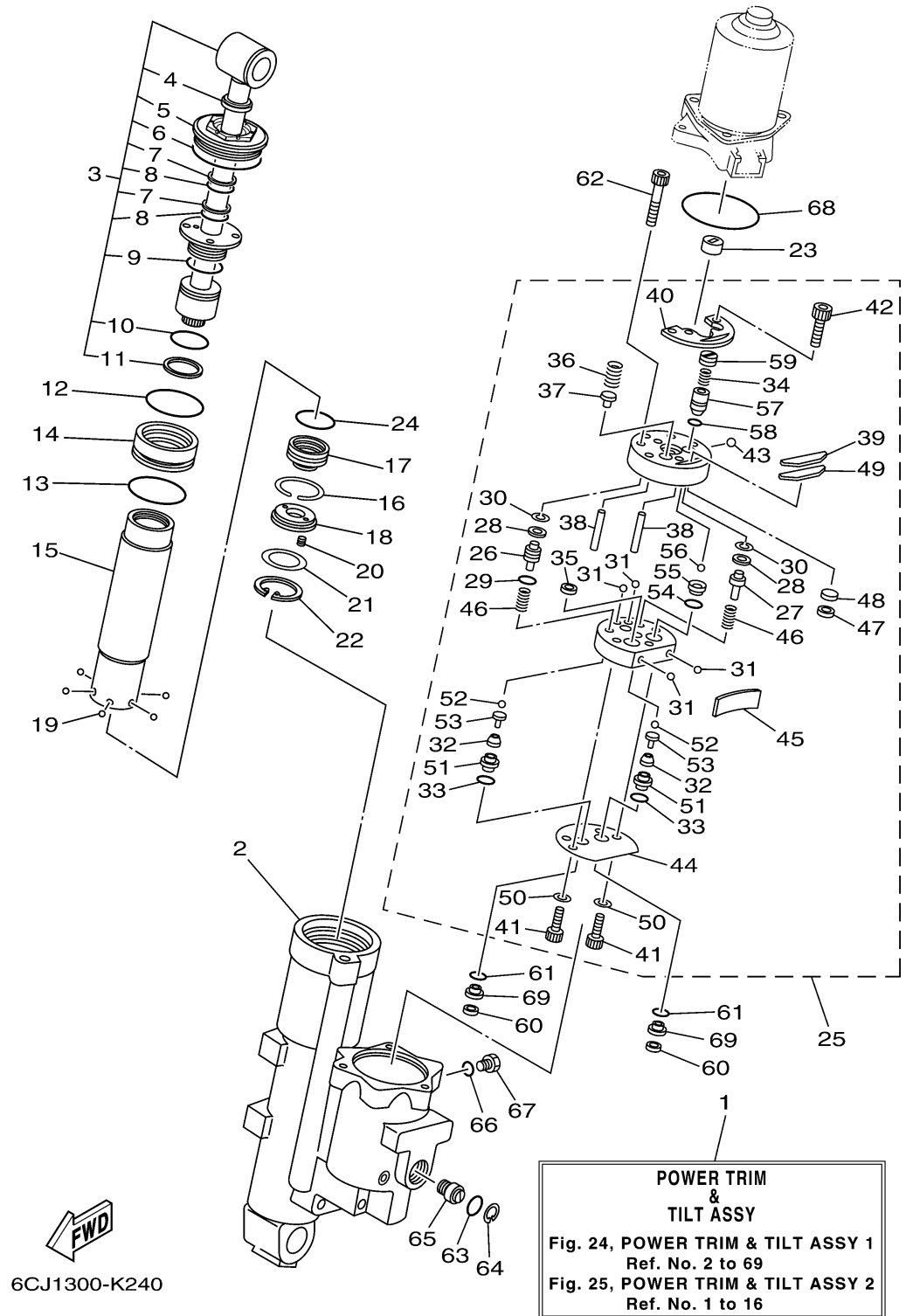
# POWER TRIM TILT ASSY 1



Ref No.	Part Number	Description	Qty	Remarks
1	6CJ-43800-00-8D	POWER TRIM & TILT ASSY	1	
2	6CJ-4380K-00-00	CYLINDER, TILT SUB ASSY	1	
3	6CJ-43810-00-00	TILT PISTON SUB ASSY	1	
4	62Y-43822-00-00	. .SEAL, TRIM DUST	1	
5	68S-43821-00-00	. .SCREW, TRIM CYLINDER END	1	
6	62X-43861-00-00	. .O-RING	1	
7	62X-43872-00-00	. .RING, BACK UP	2	
8	6C5-43863-00-00	. .O-RING	2	
9	62X-43862-00-00	. .O-RING	1	
10	93210-29375-00	. .O-RING	1	
11	62X-43871-00-00	. .RING, BACK UP	1	
12	93210-44383-00	O-RING	1	
13	6CJ-43861-00-00	O-RING	1	
14	6CJ-4388A-00-00	PISTON, TRIM	1	
15	6CJ-22471-00-00	CYLINDER, SHOCK ABSORBER	1	
16	67F-43875-00-00	RING, SNAP	1	
17	69W-4381B-00-00	FREE PISTON SUB ASSY	1	
18	62X-43899-00-00	PLATE STOPPER	1	
19	93503-16003-00	BALL	6	
20	62X-4384H-00-00	SPRING	2	

CONTINUED ON NEXT FRAME >

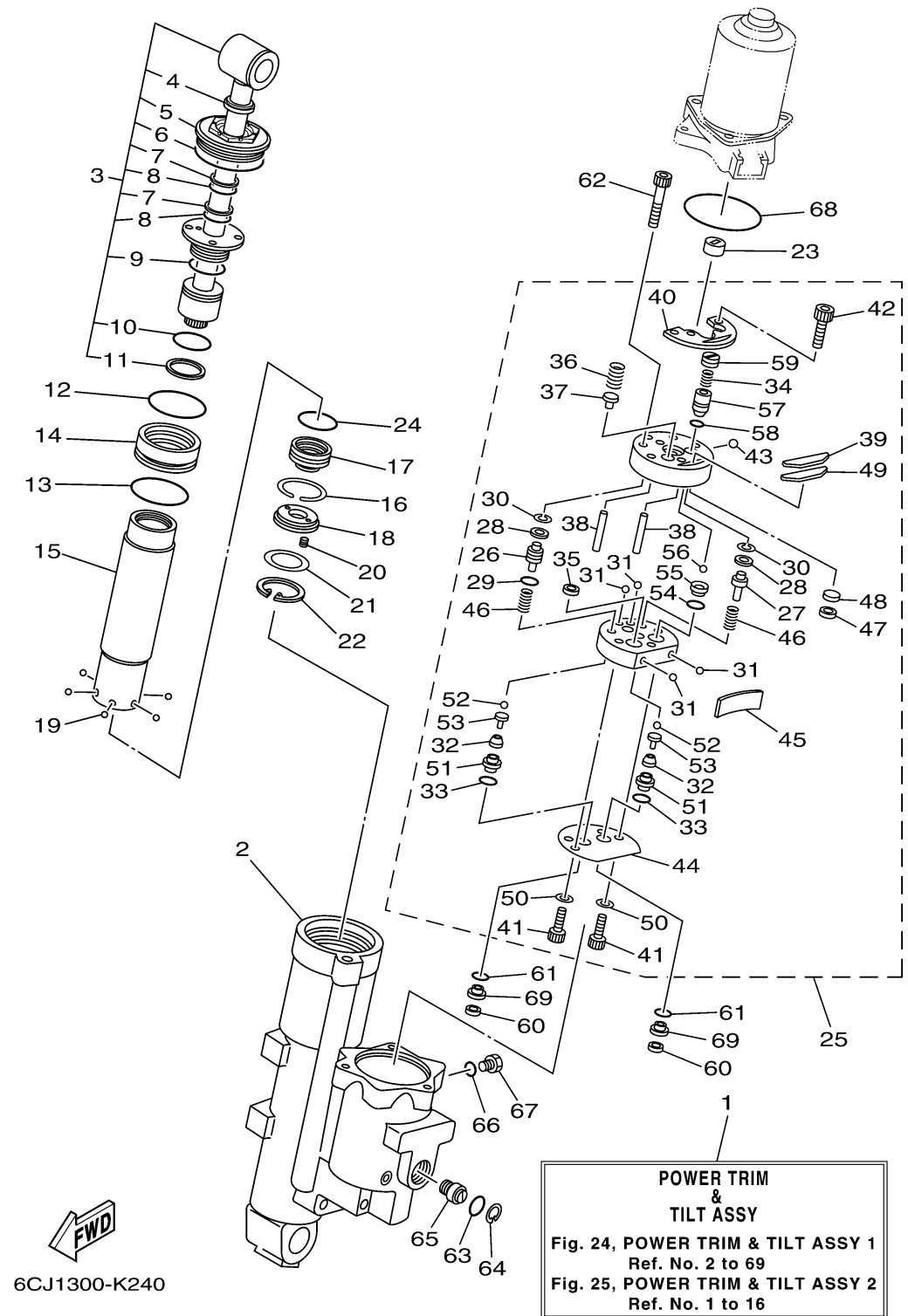
# POWER TRIM TILT ASSY 1



Ref No.	Part Number	Description	Qty	Remarks
21	1UF-22434-00-00	PLATE, VALVE 1	1	
22	62X-43875-00-00	RING, SNAP	1	
23	6H1-43831-10-00	CONNECTOR, SHAFT	1	
24	67F-43863-00-00	O-RING	1	
25	6CJ-43830-00-00	GEAR PUMP ASSY	1	
26	6CJ-43841-00-00	.PISTON, SHUTTLE	1	
27	6CJ-4384M-00-00	.PISTON, SHUTTLE 2	1	
28	69A-4384F-00-00	.SEAL, MAIN VALVE	2	
29	6H1-43883-00-00	.O-RING	1	
30	99002-03600-00	.CIRCLIP	2	
31	93505-32038-00	.BALL	4	
32	69J-43853-00-00	.SPRING, MAIN VALVE	2	
33	69J-4389J-00-00	.O-RING	2	
34	69J-43855-00-00	.SPRING, UP RELIEF	1	
35	6H1-4384F-10-00	.SEAL, MAIN VALVE	1	
36	69W-43856-00-00	.SPRING, DOWN RELIEF	1	
37	6H1-43844-10-00	.PIN, VALVE SUPPORT	1	
38	93604-26256-00	.PIN, DOWEL	2	
39	6CJ-43816-00-00	.FILTER 1	1	
40	69W-4382L-00-00	.CAP, RELIEF VALVE	1	

CONTINUED ON NEXT FRAME >

# POWER TRIM TILT ASSY 1

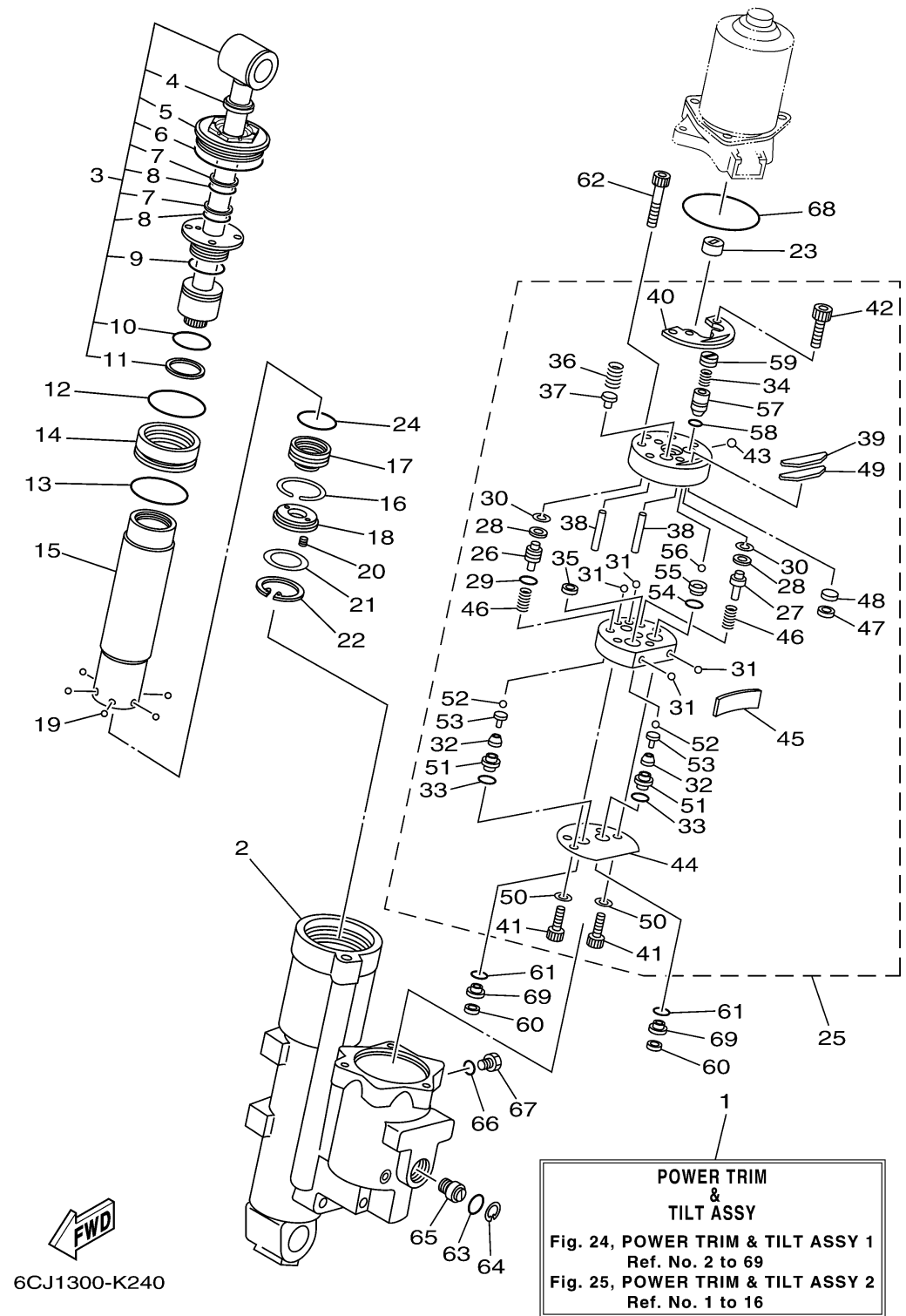


**FWD**  
6CJ1300-K240

Ref No.	Part Number	Description	Qty	Remarks
41	91318-05020-00	..BOLT	2	
42	91318-05008-00	..BOLT	2	
43	93501-08001-00	..BALL	1	
44	69W-4384G-00-00	..SEAL, RELIEF VALVE	1	
45	69W-43854-00-00	..SPRING, MANUAL RELEASE	1	
46	69J-43894-00-00	..SPRING, SHUTTLE RETURN	2	
47	62Y-4387J-00-00	..WASHER, SPECIAL 2	1	
48	62Y-22434-00-00	..PLATE, VALVE 1	1	
49	62Y-43871-00-00	..RING, BACK UP	1	
50	62Y-4387G-00-00	..WASHER	2	
51	6CJ-43893-00-00	..WASHER	2	
52	93505-32038-00	..BALL	2	
53	65W-4386A-00-00	..PIN, ABSORBER VALVE	2	
54	93210-08391-00	..O-RING	1	
55	69J-43851-00-00	..SEAT, RELIEF VALVE	1	
56	93501-08001-00	..BALL	1	
57	6CJ-43844-00-00	..PIN, VALVE SUPPORT	1	
58	93210-064A5-00	..O-RING	1	
59	6CJ-43843-00-00	..SCREW, VALVE LOCK	1	
60	6H1-43816-00-00	FILTER 1	2	

CONTINUED ON NEXT FRAME >

# POWER TRIM TILT ASSY 1



Ref No.	Part Number	Description	Qty	Remarks
61	69J-4389J-00-00	.O-RING	2	
62	91318-06040-00	BOLT	3	
63	6D8-43863-00-00	O-RING	1	
64	6H1-43875-00-00	RING, SNAP	1	
65	62Y-43845-00-00	SCREW, MANUAL RELEASE	1	
66	93210-09165-00	O-RING	1	
67	6H1-43829-00-00	PLUG, RESERVOIR	1	
68	62X-43865-00-00	O-RING	1	
69	6CJ-43899-00-00	PLATE STOPPER	2	