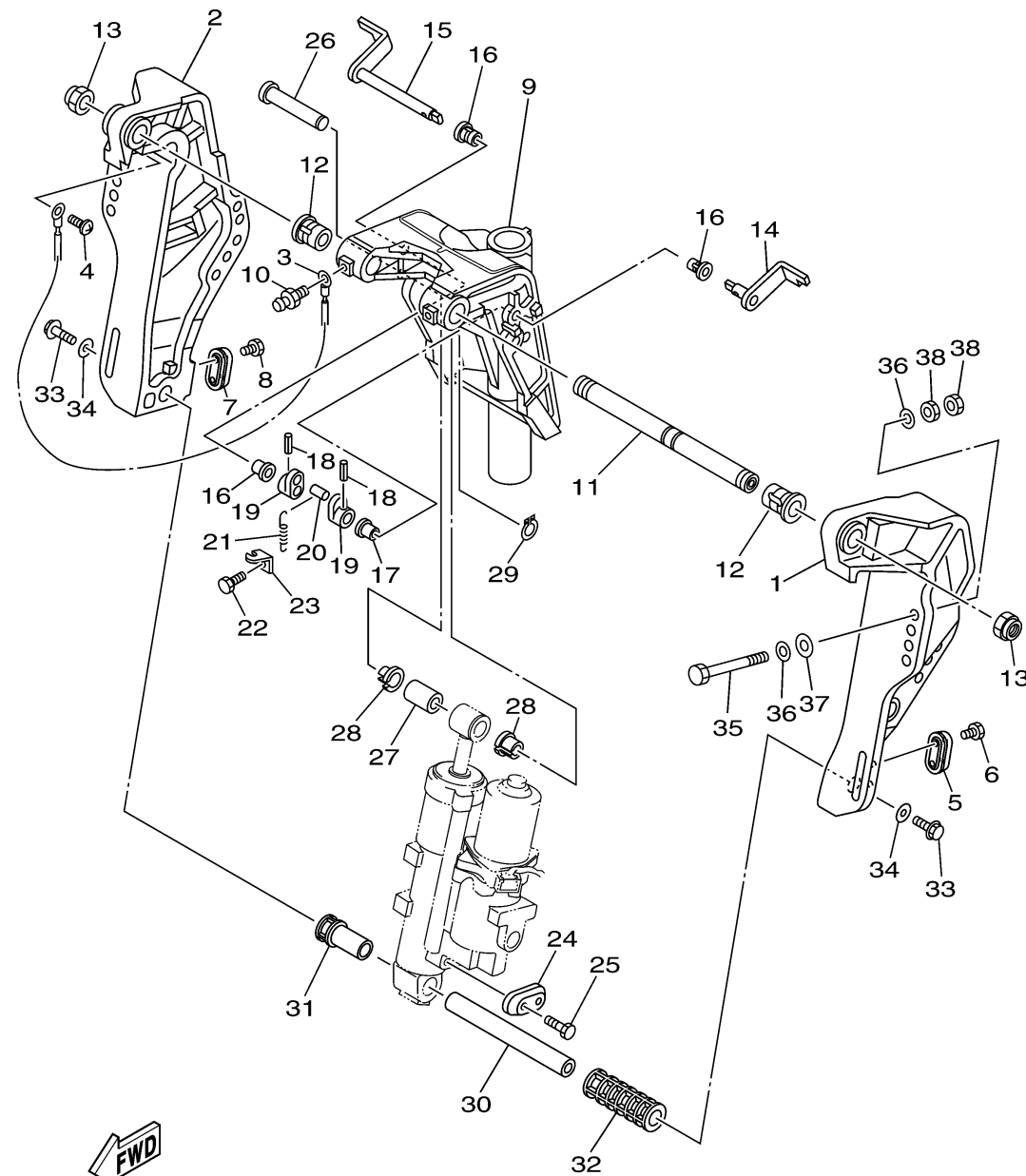


BRACKET 1

Ref No.	Part Number	Description	Qty	Remarks
1	6C5-43111-01-8D	BRACKET, CLAMP 1	1	
2	6C5-43112-01-8D	BRACKET, CLAMP 2	1	
3	6E5-82148-00-00	WIRE, LEAD 4	1	
4	97885-06008-00	SCREW, PAN HEAD	1	
5	65W-45251-00-00	ANODE	1	
6	90101-06020-00	BOLT	2	
7	65W-45251-00-00	ANODE	1	
8	90101-06020-00	BOLT	2	
9	6C5-43311-01-8D	BRACKET, SWIVEL 1	1	
10	93700-06M03-00	NIPPLE, GREASE	3	
11	63D-43131-01-00	BOLT, CLAMP BRACKET	1	
12	90386-22MA4-00	BUSH	2	
13	90185-22M11-00	NUT, SELF-LOCKING	2	
14	6C5-43181-00-00	LEVER, TILT STOP 1	1	
15	6C5-43185-00-00	LEVER, TILT STOP 2	1	
16	90386-10M16-00	BUSH	3	
17	90386-10025-00	BUSH	1	
18	91690-30020-00	PIN, SPRING	2	
19	6G5-43148-00-00	COLLAR, DISTANCE	2	
20	90249-06M19-00	PIN	1	

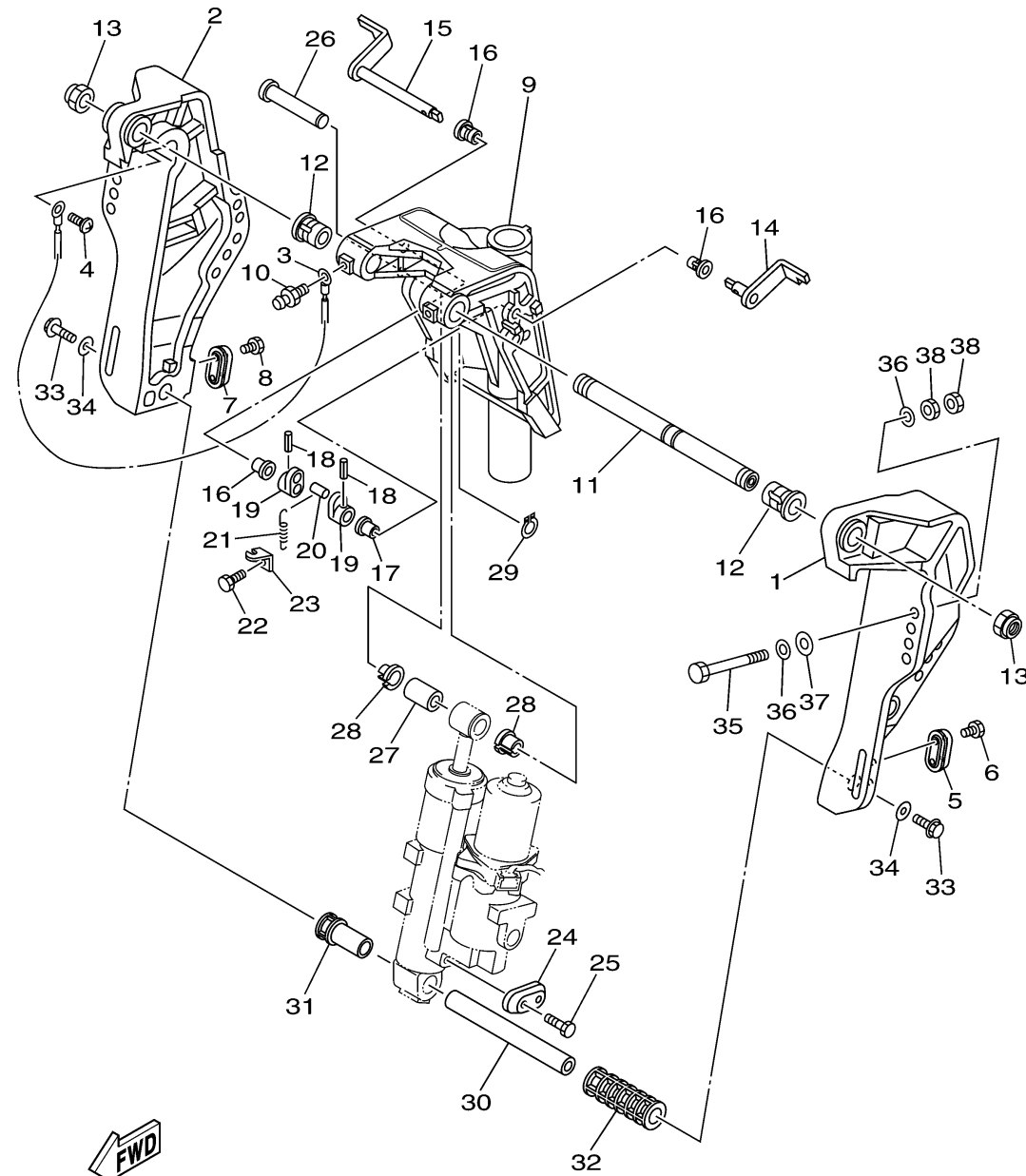
CONTINUED ON NEXT FRAME >



6CJ1110-K230

BRACKET 1

Ref No.	Part Number	Description	Qty	Remarks
21	90506-14M24-00	SPRING, TENSION	1	
22	97095-06010-00	BOLT	1	
23	6G5-43144-00-00	HOOK, SPRING	1	
24	65W-45251-00-00	ANODE	1	
25	90101-06020-00	BOLT	2	
26	6E5-43126-02-00	PIN, UPPER SHOCK MOUNT	1	
27	90386-18M92-00	BUSH	1	
28	90386-18M35-00	BUSH	2	
29	93410-18M05-00	CIRCLIP	1	
30	6CJ-43818-00-00	PIN, LOWER SHOCK MOUNT	1	
31	6C5-43833-00-00	PIPE	1	
32	6C5-43834-00-00	PIPE	1	
33	97575-10530-00	BOLT, WITH WASHER	2	
34	90201-10060-00	WASHER, PLATE	2	
35	90101-12M65-00	BOLT	4	
36	90201-12062-00	WASHER, PLATE	8	
37	90201-12426-00	WASHER, PLATE	4	
38	95380-12600-00	NUT	8	



6CJ1110-K230