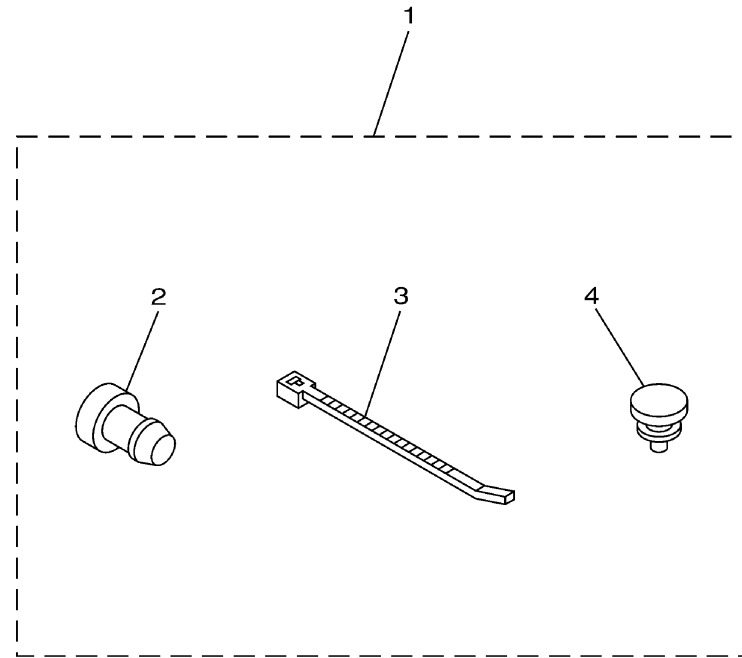


## OPTIONAL PARTS 3

Ref No.	Part Number	Description	Qty	Remarks
1	69G-W1257-00-00	FLUSHING ELIMINATION KIT	1	AP
2	90338-07M16-00	. .PLUG	1	
3	90465-11M10-00	. CLAMP	1	
4	90480-06M19-00	. GROMMET	2	



68R1100-2290