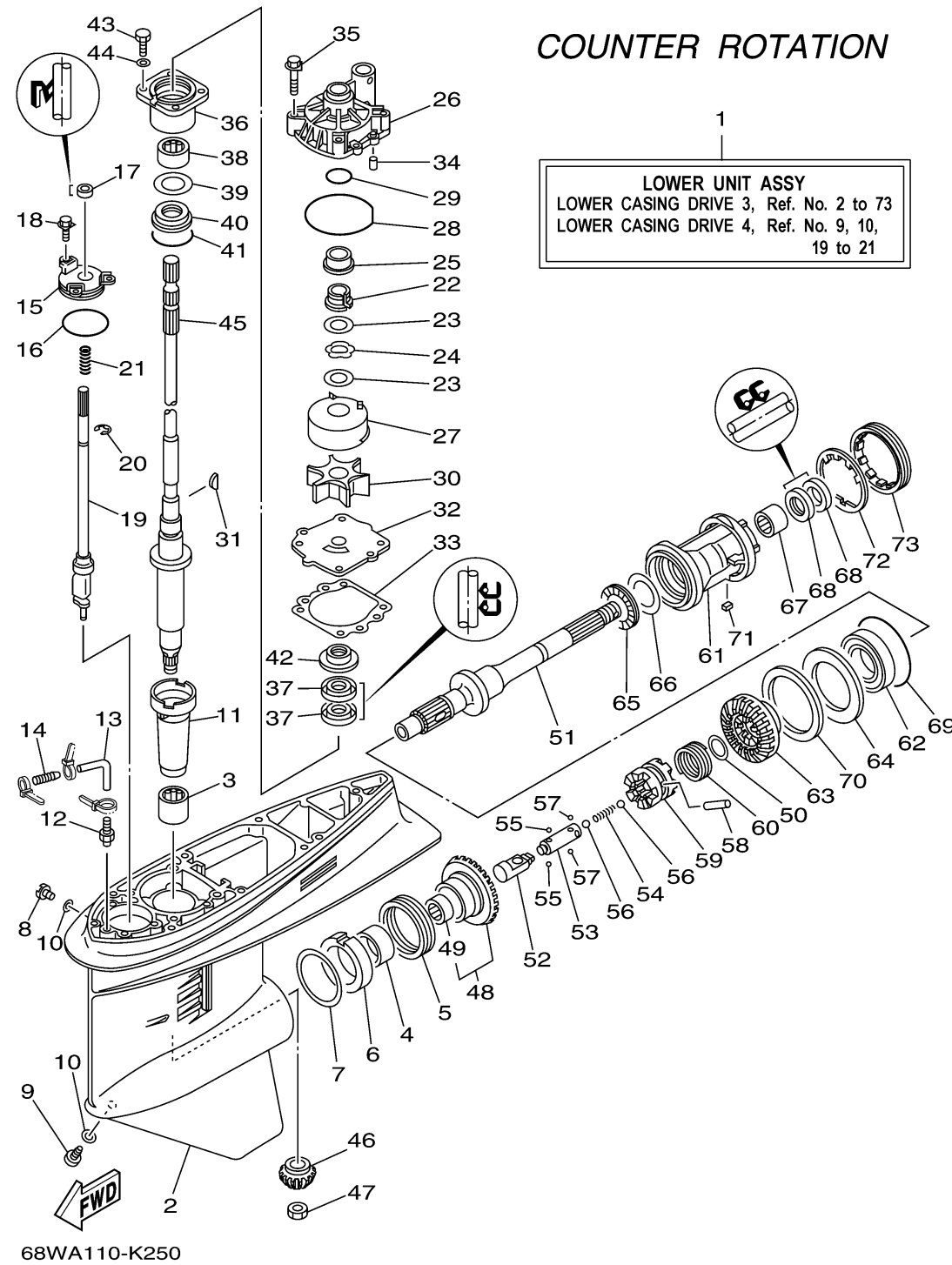


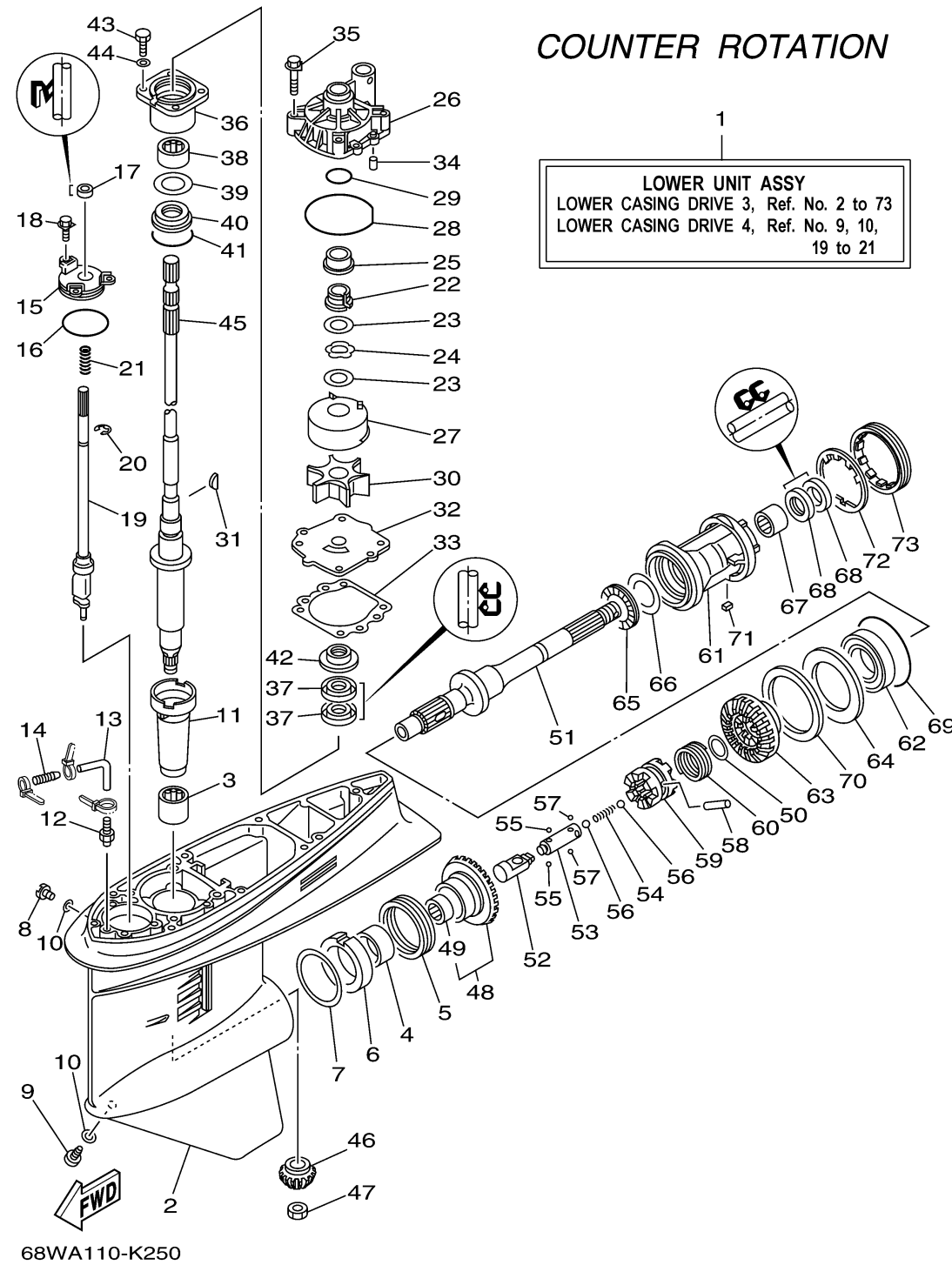
LOWER CASING DRIVE 3



Ref No.	Part Number	Description	Qty	Remarks
1	68W-45300-32-8D	LOWER UNIT ASSY	1	X(25.3"), LH
2	6E5-45301-05-8D	CASING, LOWER	1	
3	93315-628U9-00	BEARING	1	
4	93315-345W0-00	BEARING	1	
5	93341-360U8-00	BEARING	1	
6	6L6-45538-00-00	SPACER 1	1	
7	6E5-45567-01-00	SHIM (T:0.10MM)	1	UR
7	6E5-45567-10-00	SHIM (T:0.12MM)	1	UR
7	6E5-45567-20-00	SHIM (T:0.15MM)	1	UR
7	6E5-45567-30-00	SHIM (T:0.18MM)	1	UR
7	6E5-45567-40-00	SHIM (T:0.30MM)	1	UR
7	6E5-45567-50-00	SHIM (T:0.40MM)	1	UR
7	6E5-45567-60-00	SHIM (T:0.50MM)	1	UR
8	90340-08002-00	PLUG, STRAIGHT SCREW	1	
9	688-45341-10-00	PLUG, DRAIN	1	
10	90430-08020-00	GASKET	2	
11	6E5-45536-00-00	SLEEVE, DRIVE SHAFT	1	
12	6E5-45378-00-00	NIPPLE, HOSE	1	
13	90445-07ME9-00	HOSE (L120)	1	X(25.3")
14	6E5-83558-10-00	END, NIPPLE	1	

CONTINUED ON NEXT FRAME >

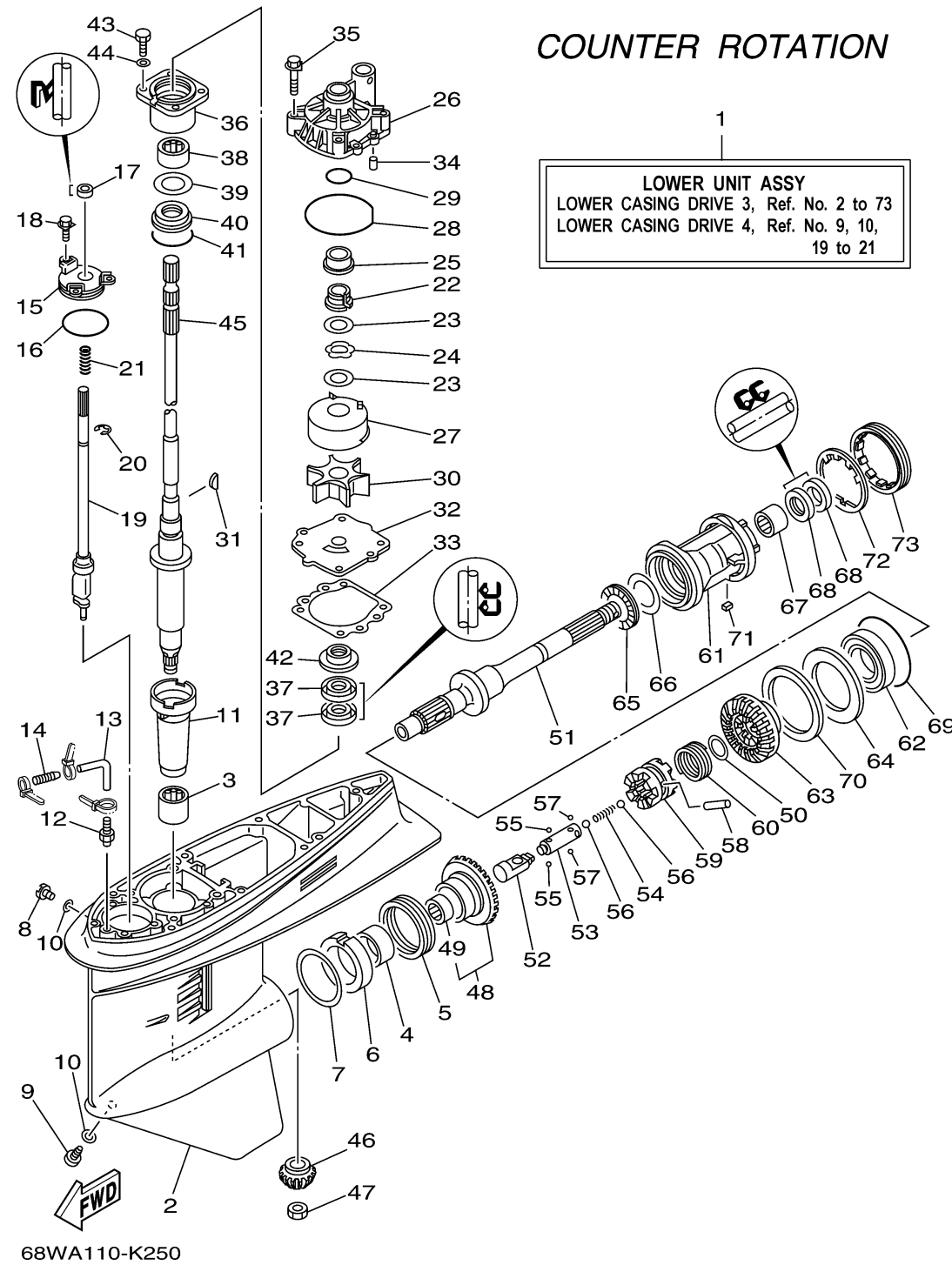
LOWER CASING DRIVE 3



Ref No.	Part Number	Description	Qty	Remarks
15	6E5-45321-00-00	PLATE	1	
16	93210-58144-00	.O-RING	1	
17	93106-09014-00	.OIL SEAL	1	
18	90119-06M10-00	BOLT, WITH WASHER	3	
19	6E5-44150-02-00	SHIFT CAM ASSY	1	
20	99001-08600-00	CIRCLIP	1	
21	90501-11M10-00	SPRING, COMPRESSION	1	
22	61A-45538-00-00	SPACER 1	1	
23	90201-22M01-00	WASHER, PLATE	2	
24	90206-22M19-00	WASHER, WAVE	1	
25	61A-45527-00-00	COLLAR, DRIVE SHAFT	1	
26	61A-44311-01-00	HOUSING, WATER PUMP	1	
27	61A-44322-02-00	.INSERT, CARTRIDGE	1	
28	93210-86M38-00	.O-RING	1	
29	93210-37160-00	O-RING	1	
30	6E5-44352-01-00	.IMPELLER	1	
31	90280-04M05-00	.KEY, WOODRUFF	1	
32	68V-44323-00-00	.OUTER PLATE, CARTRIDGE	1	
33	6E5-44315-A0-00	.GASKET, WATER PUMP	1	
34	93606-12019-00	PIN, DOWEL	2	

CONTINUED ON NEXT FRAME >

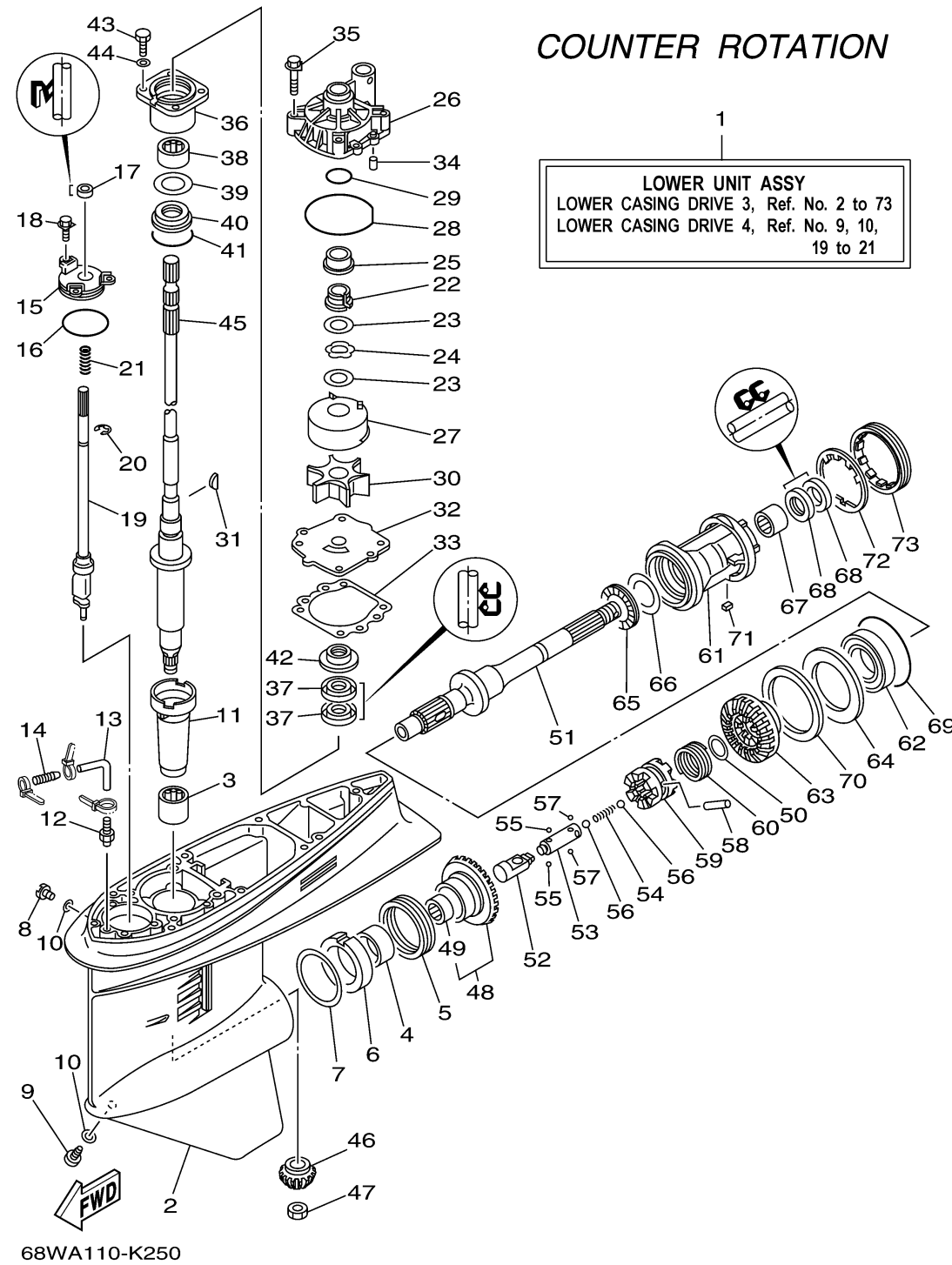
LOWER CASING DRIVE 3



Ref No.	Part Number	Description	Qty	Remarks
35	90119-08M14-00	BOLT, WITH WASHER	4	
36	6E5-45331-00-9S	HOUSING, BEARING	1	
37	93101-28M16-00	.OIL SEAL	2	
38	93317-330U2-00	BEARING	1	
39	6E5-45587-01-00	SHIM (T:0.10MM)	1	UR
39	6E5-45587-10-00	SHIM (T:0.12MM)	1	UR
39	6E5-45587-20-00	SHIM (T:0.15MM)	1	UR
39	6E5-45587-30-00	SHIM (T:0.18MM)	1	UR
39	6E5-45587-40-00	SHIM (T:0.30MM)	1	UR
39	6E5-45587-50-00	SHIM (T:0.40MM)	1	UR
39	6E5-45587-60-00	SHIM (T:0.50MM)	1	UR
40	93341-930V2-00	BEARING	1	
41	93210-55M14-00	.O-RING	1	
42	6E5-45344-00-00	COVER, OIL SEAL	1	
43	97095-08025-00	BOLT	4	
44	92995-08600-00	WASHER	4	
45	68V-45501-30-00	DRIVE SHAFT COMP.	1	X(25.3")
46	68V-45551-00-00	PINION (13T)	1	
47	90170-16M01-00	NUT	1	
48	68W-45560-00-00	GEAR 1 (28T)	1	

CONTINUED ON NEXT FRAME >

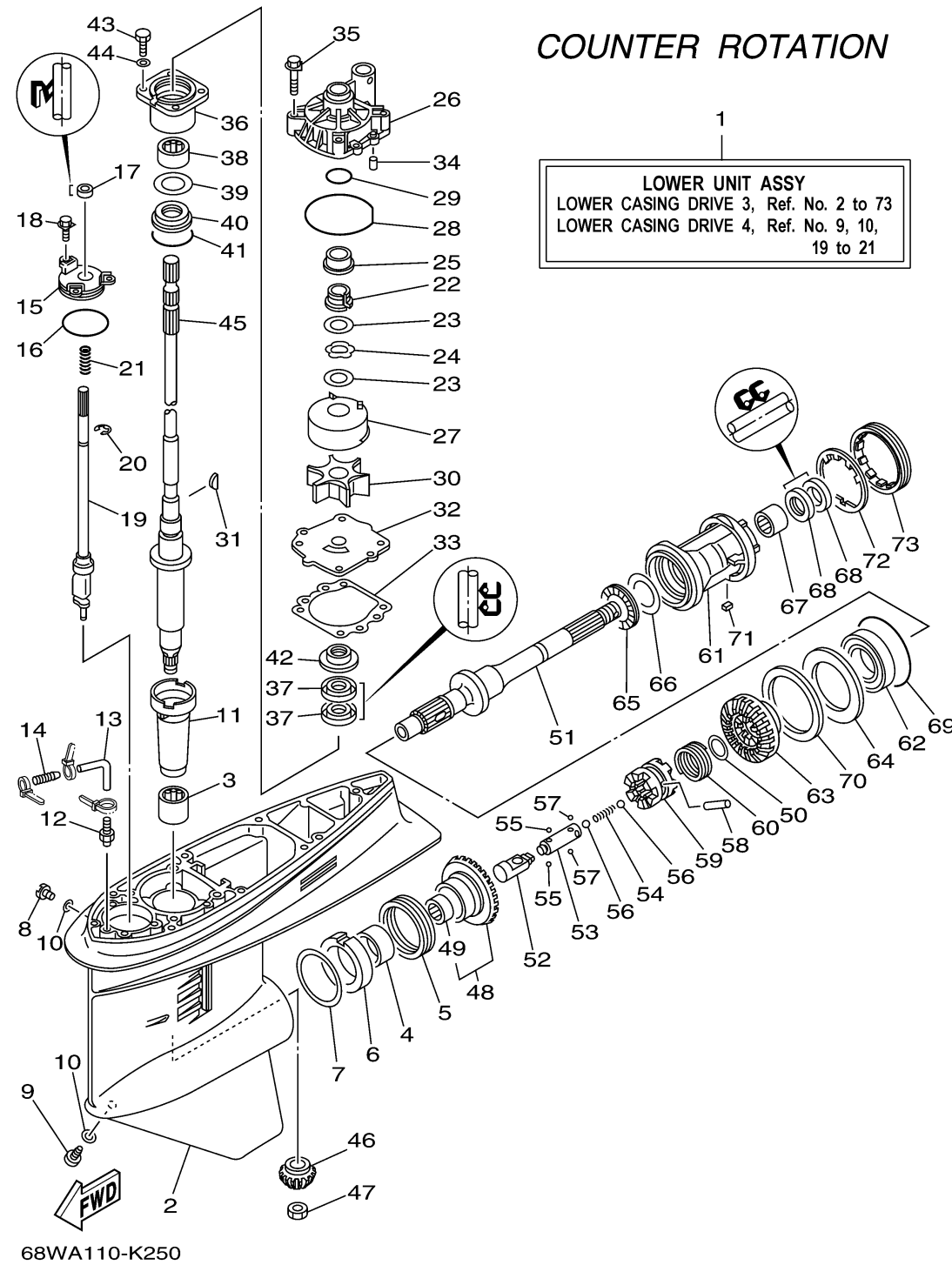
LOWER CASING DRIVE 3



Ref No.	Part Number	Description	Qty	Remarks
49	93315-425U7-00	. BEARING	1	
50	90201-26M00-00	WASHER, PLATE	1	
51	68W-45611-00-00	SHAFT, PROPELLER	1	
52	6E5-45641-03-00	SHIFTER	1	
53	6E5-45634-01-00	SLIDE, SHAFT	1	
54	90501-16M37-00	SPRING, COMPRESSION	1	
55	93507-32009-00	BALL	2	
56	93511-32017-00	BALL	2	
57	93503-16003-00	.BALL	2	
58	90250-08M07-00	PIN, STRAIGHT	1	
59	68V-45631-01-00	CLUTCH, DOG	1	
60	6E5-45633-01-00	RING, CROSS PIN	1	
61	6L6-45332-00-CA	HOUSING, BEARING	1	
62	93332-000V7-00	BEARING	1	
63	68W-45570-10-00	GEAR 2 (28T)	1	
64	6L6-45576-00-00	WASHER, THRUST 2	1	
65	93341-440U5-00	BEARING	1	
66	6K1-45578-01-00	SHIM (T:0.10MM)	1	UR
66	6K1-45578-10-00	SHIM (T:0.12MM)	1	UR
66	6K1-45578-20-00	SHIM (T:0.15MM)	1	UR

CONTINUED ON NEXT FRAME >

LOWER CASING DRIVE 3



Ref No.	Part Number	Description	Qty	Remarks
66	6K1-45578-30-00	SHIM (T:0.18MM)	1	UR
66	6K1-45578-40-00	SHIM (T:0.30MM)	1	UR
66	6K1-45578-50-00	SHIM (T:0.40MM)	1	UR
66	6K1-45578-60-00	SHIM (T:0.50MM)	1	UR
67	93315-43061-00	BEARING	1	
68	93101-30M17-00	.OIL SEAL	2	
69	93210-86M39-00	.O-RING	1	
70	6L6-45577-00-00	SHIM (T:0.10MM)	1	UR
70	6L6-45577-10-00	SHIM (T:0.12MM)	1	UR
70	6L6-45577-20-00	SHIM (T:0.15MM)	1	UR
70	6L6-45577-30-00	SHIM (T:0.18MM)	1	UR
70	6L6-45577-40-00	SHIM (T:0.30MM)	1	UR
70	6L6-45577-50-00	SHIM (T:0.40MM)	1	UR
70	6L6-45577-60-00	SHIM (T:0.50MM)	1	UR
71	90282-04010-00	KEY, STRAIGHT	1	
72	688-45383-02-00	WASHER, CLAW	1	
73	688-45384-02-00	NUT	1	