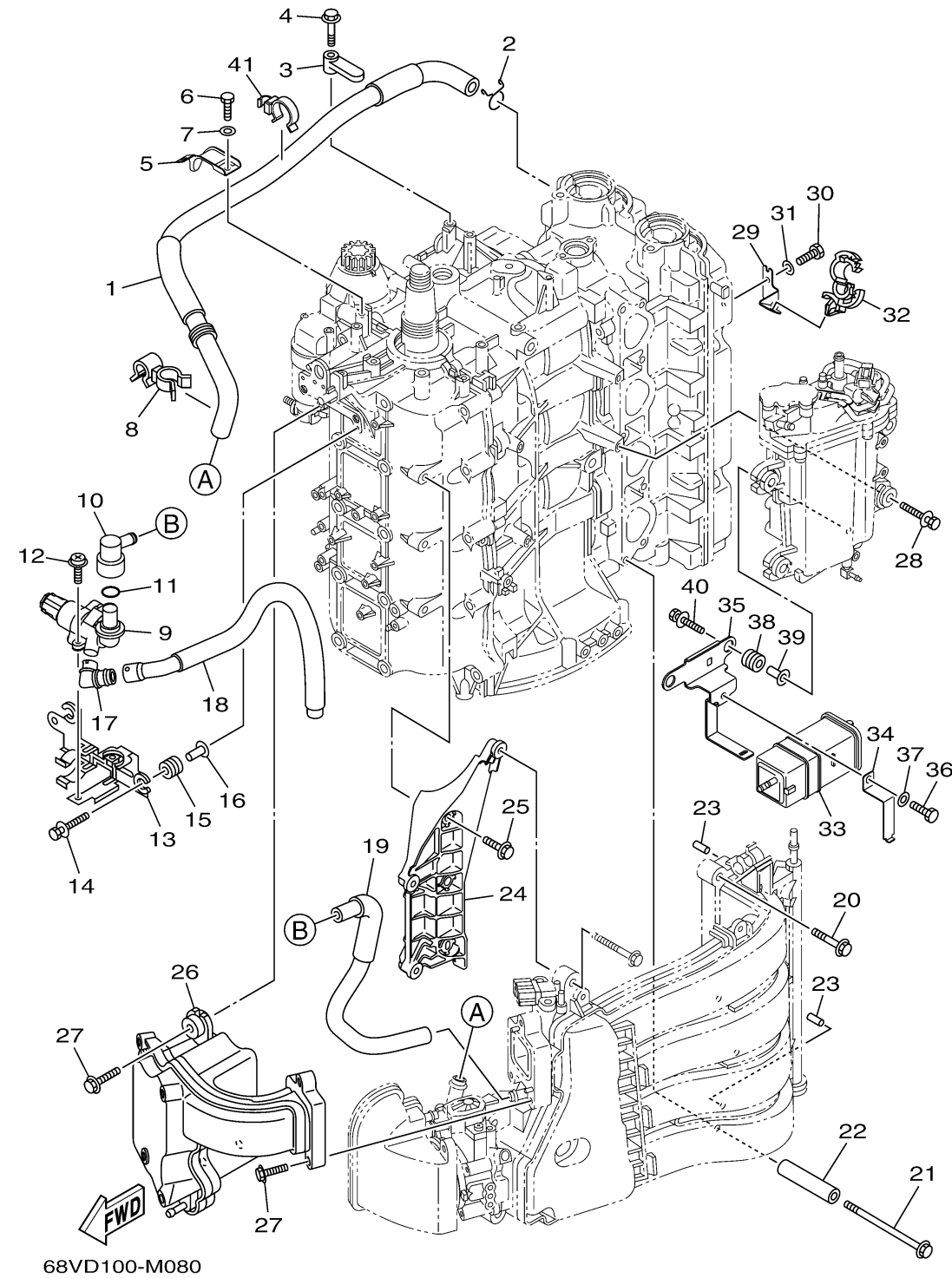


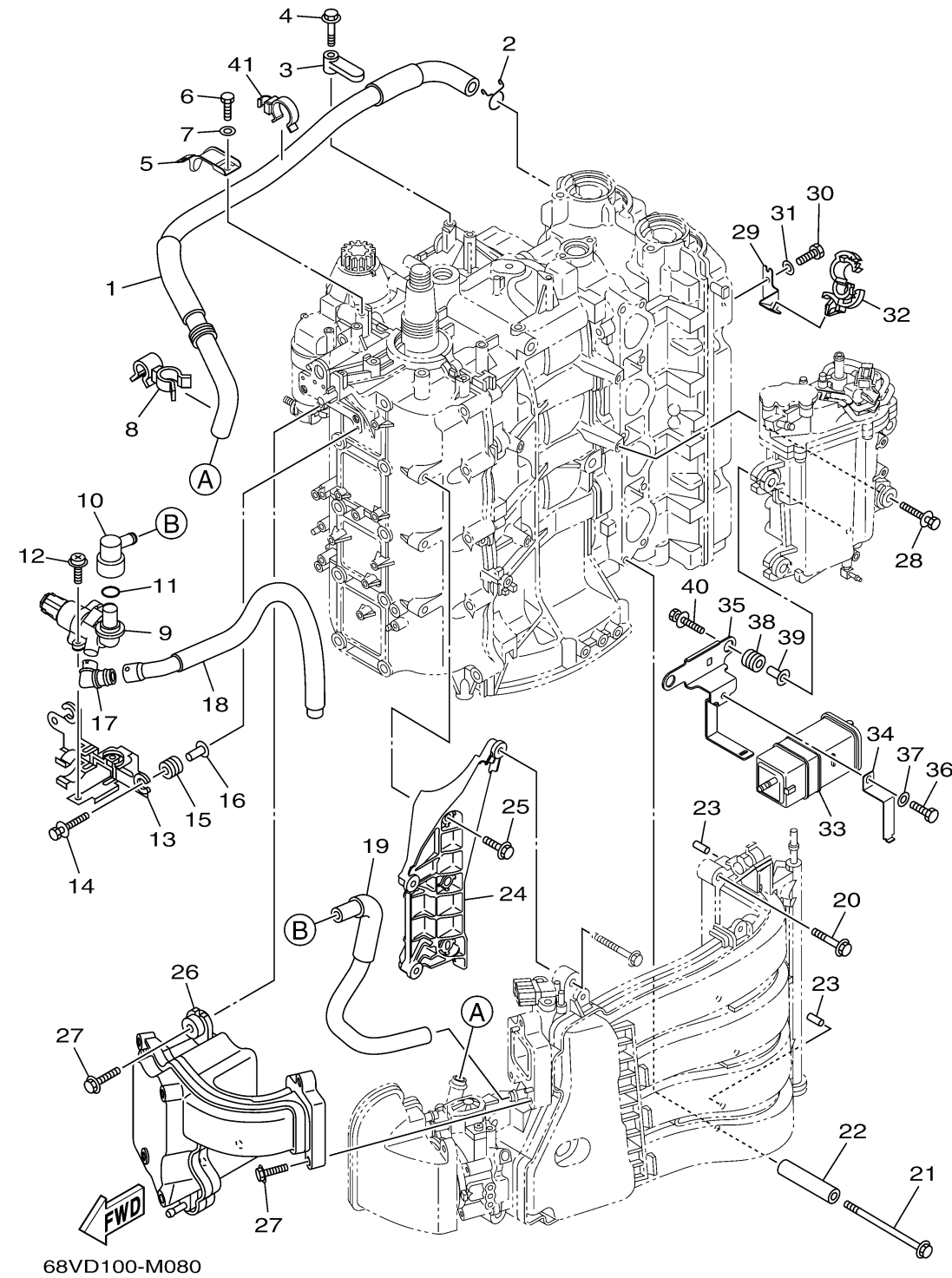
INTAKE 2



Ref No.	Part Number	Description	Qty	Remarks
1	68V-15373-00-00	PIPE, BREATHER	1	
2	90467-20M15-00	CLIP	1	
3	6D8-82544-00-00	CLAMP	1	
4	95875-06025-00	BOLT, FLANGE	1	
5	68V-82389-00-00	PLATE 2	1	
6	97095-06012-00	BOLT	1	
7	92995-06600-00	WASHER	1	
8	90464-20011-00	CLAMP	1	
9	6C5-13713-00-00	VALVE, IDLE SPEED CONTROL	1	
10	6CJ-11372-00-00	NIPPLE, HOSE	1	
11	93210-33003-00	O-RING	1	
12	97980-05214-00	..SCREW, WITH WASHER	2	
13	68V-13152-00-00	STAY 2	1	
14	90119-06M17-00	BOLT, WITH WASHER	2	
15	90480-10M23-00	GROMMET	2	
16	90387-06M60-00	COLLAR	2	
17	68V-13897-00-00	PIPE, AIR	1	
18	68V-13892-00-00	HOSE, AIR 2	1	
19	68V-13543-10-00	HOSE, AIR	1	
20	90105-08M87-00	BOLT, FLANGE	4	

CONTINUED ON NEXT FRAME >

INTAKE 2



Ref No.	Part Number	Description	Qty	Remarks
21	90105-08242-00	BOLT, FLANGE	1	
22	90387-09017-00	COLLAR	1	
23	91690-50014-00	PIN, SPRING	2	
24	68V-14291-10-00	BRACKET 1	1	
25	95895-08020-00	BOLT, FLANGE	3	
26	68V-13642-00-00	MANIFOLD 2	1	
27	95895-06030-00	BOLT, FLANGE	6	
28	90119-06M24-00	BOLT, WITH WASHER	4	
29	68V-21457-00-00	PLATE, PIPE GUIDE	1	
30	97095-06012-00	BOLT	1	
31	92995-06600-00	WASHER	1	
32	90464-18246-00	CLAMP	1	
33	6P2-24170-00-00	CANISTER ASSY	1	
34	68V-2419A-00-00	HOLDER	1	
35	68V-2134X-00-00	BRACKET, CANISTER	1	
36	97095-06016-00	BOLT	1	
37	92995-06600-00	WASHER	1	
38	90480-10M23-00	GROMMET	2	
39	90387-06M60-00	COLLAR	2	
40	90119-06M17-00	BOLT, WITH WASHER	2	

CONTINUED ON NEXT FRAME >

INTAKE 2

Ref No.	Part Number	Description	Qty	Remarks
41	90464-26002-00	CLAMP	1	

