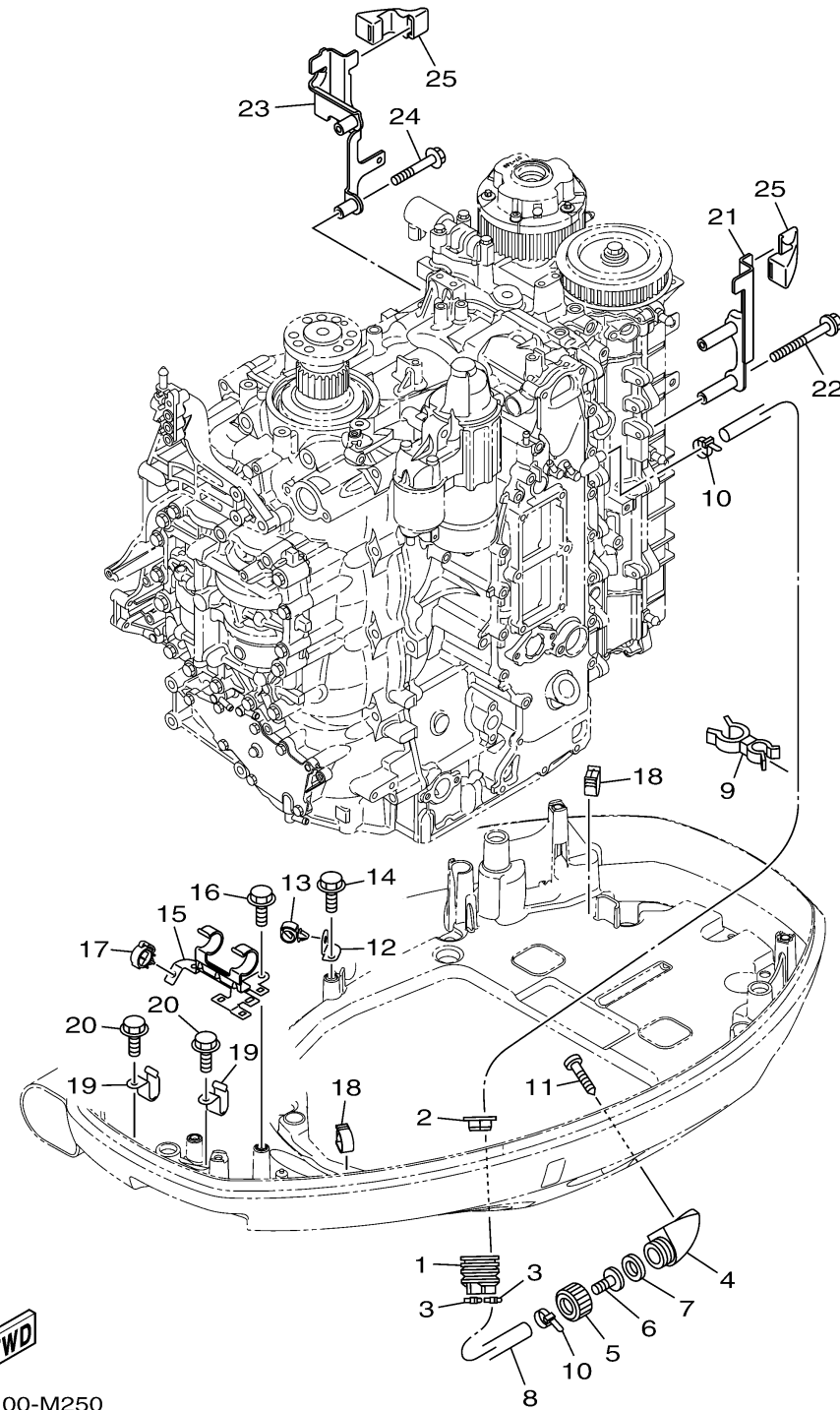


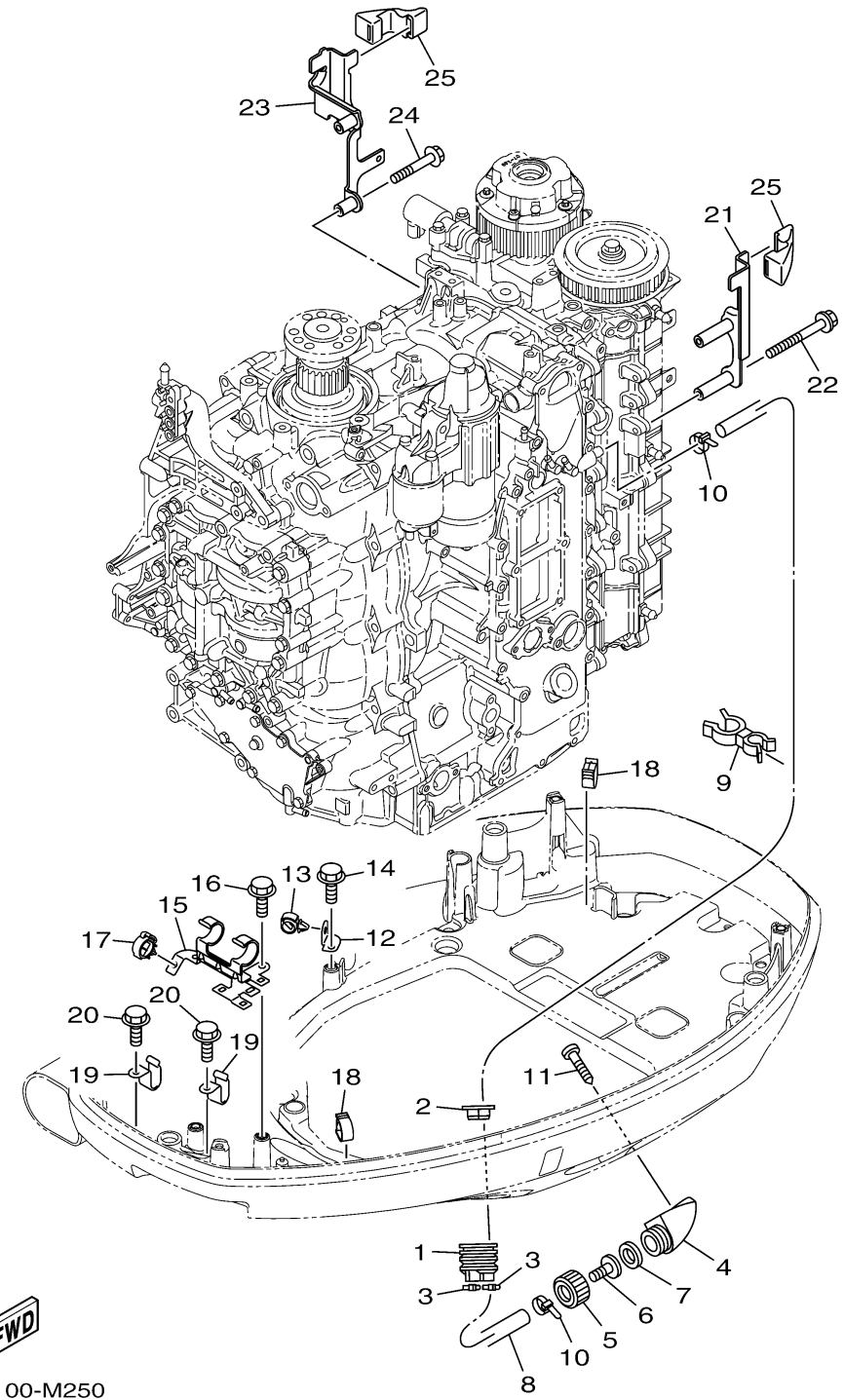
# BOTTOM COWLING 3



| Ref No. | Part Number     | Description        | Qty | Remarks      |
|---------|-----------------|--------------------|-----|--------------|
| 1       | 6H1-42726-21-00 | GROMMET            | 1   |              |
| 2       | 6BG-42384-00-00 | SEAL, CAP          | 1   |              |
| 3       | 90465-11M10-00  | .CLAMP             | 2   |              |
| 4       | 6AW-12572-00-00 | ADAPTER            | 1   |              |
| 5       | 6R3-12581-00-00 | JOINT, HOSE 1      | 1   | FLUSHING KIT |
| 6       | 6AW-12582-00-00 | JOINT, HOSE 2      | 1   |              |
| 7       | 6R3-12583-00-00 | GASKET, HOSE JOINT | 1   | FLUSHING KIT |
| 8       | 6DA-42541-00-00 | PIPE 1             | 1   |              |
| 9       | 90464-21256-00  | CLAMP              | 1   |              |
| 10      | 90465-11M10-00  | .CLAMP             | 2   |              |
| 11      | 97780-60520-00  | SCREW, TAPPING     | 2   |              |
| 12      | 63P-42756-00-00 | STAY, CLAMP        | 1   |              |
| 13      | 90464-13249-00  | CLAMP              | 1   |              |
| 14      | 95895-06012-00  | BOLT, FLANGE       | 1   |              |
| 15      | 6DA-8366G-00-00 | BRACKET 3          | 1   |              |
| 16      | 95895-06012-00  | BOLT, FLANGE       | 2   |              |
| 17      | 90464-18246-00  | CLAMP              | 1   |              |
| 18      | 90464-18004-00  | CLAMP              | 2   |              |
| 19      | 90462-12013-00  | CLAMP              | 2   |              |
| 20      | 95895-06012-00  | BOLT, FLANGE       | 2   |              |

CONTINUED ON NEXT FRAME >

# BOTTOM COWLING 3



| Ref No. | Part Number     | Description  | Qty | Remarks |
|---------|-----------------|--------------|-----|---------|
| 21      | 6DA-11998-00-00 | BRACKET 1    | 1   |         |
| 22      | 95895-06065-00  | BOLT, FLANGE | 2   |         |
| 23      | 6DA-11999-00-00 | BRACKET 2    | 1   |         |
| 24      | 95895-06040-00  | BOLT, FLANGE | 2   |         |
| 25      | 6CB-42662-00-00 | DAMPER       | 2   |         |