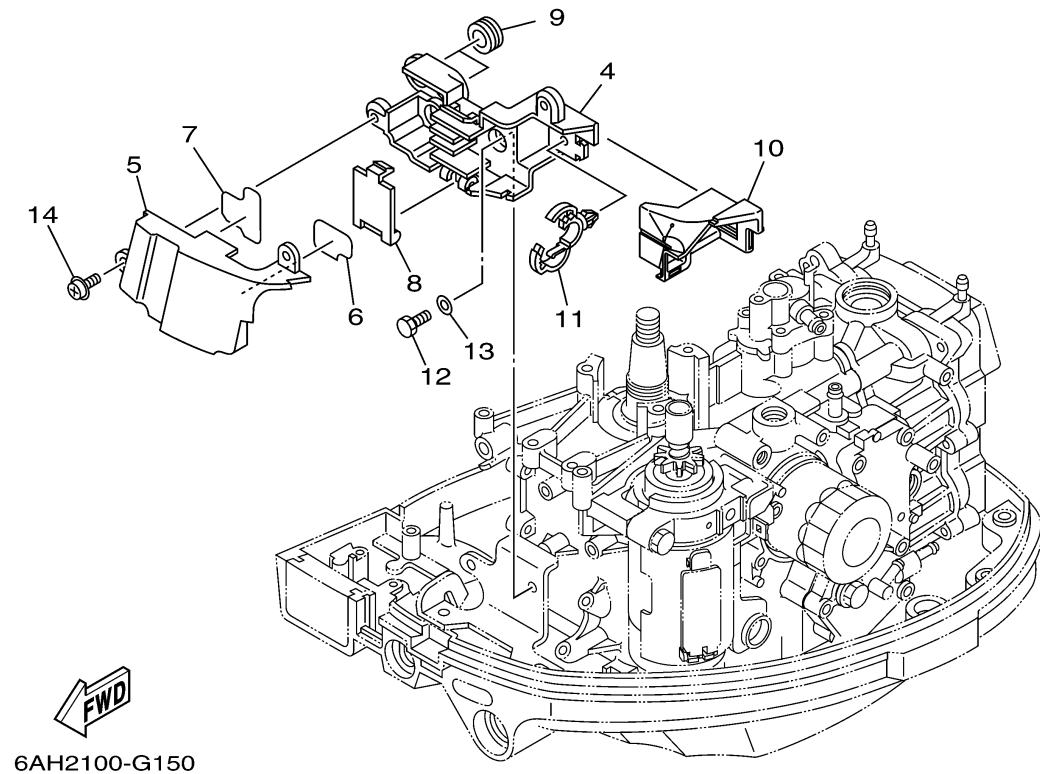
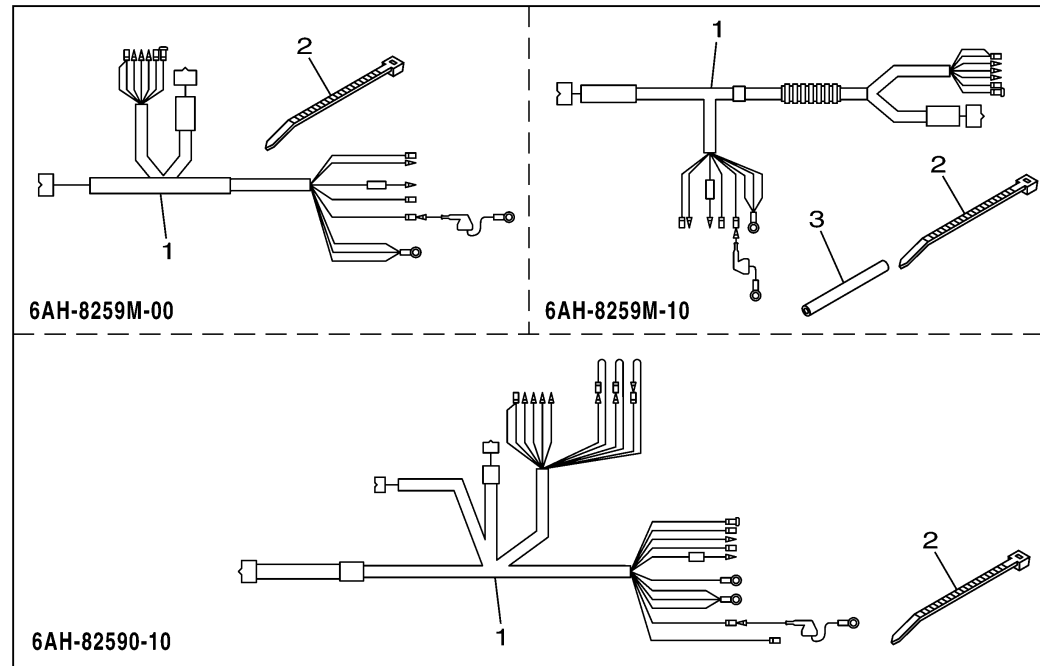


ELECTRICAL 3



Ref No.	Part Number	Description	Qty	Remarks
1	6AH-8259M-10-00	WIRE HARNESS ASSY 2	1	
1	6AH-8259M-00-00	WIRE HARNESS ASSY 2	0	
1	6AH-82590-10-00	WIRE HARNESS ASSY	0	
2	90465-13M18-00	CLAMP	1	
3	90445-08029-00	HOSE	1	
4	6AH-8552A-00-00	HOUSING	1	
5	6AH-8552E-00-00	COVER, CASE	1	
6	6AH-42735-30-00	PROTECTOR	1	
7	6AH-42735-40-00	PROTECTOR	1	
8	6AH-85537-00-00	COVER	1	
9	90480-19368-00	GROMMET	2	
10	6AH-85547-00-00	DAMPER	1	
11	90464-20181-00	CLAMP	1	
12	97095-06014-00	BOLT	2	
13	92995-06600-00	WASHER	2	
14	97985-06214-00	SCREW, WITH WASHER	2	